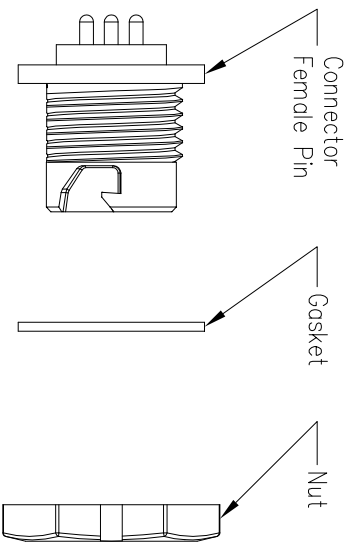
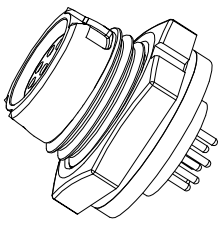
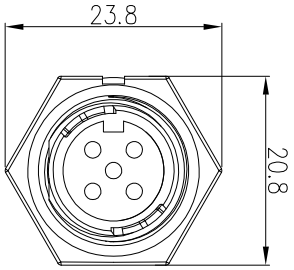
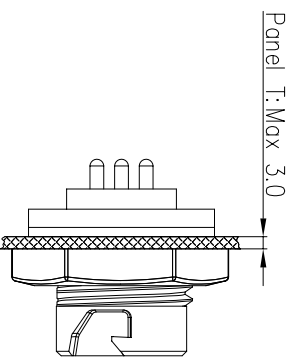
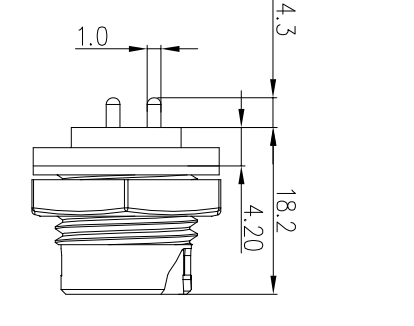
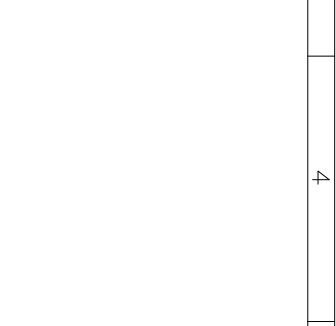
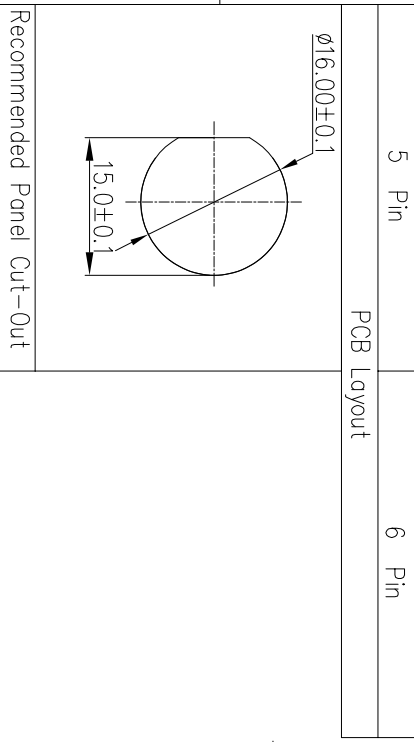
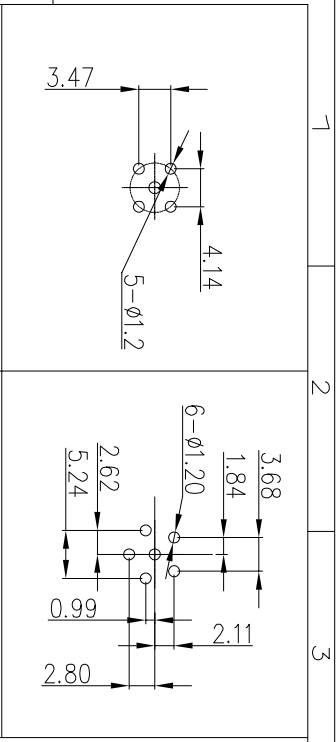
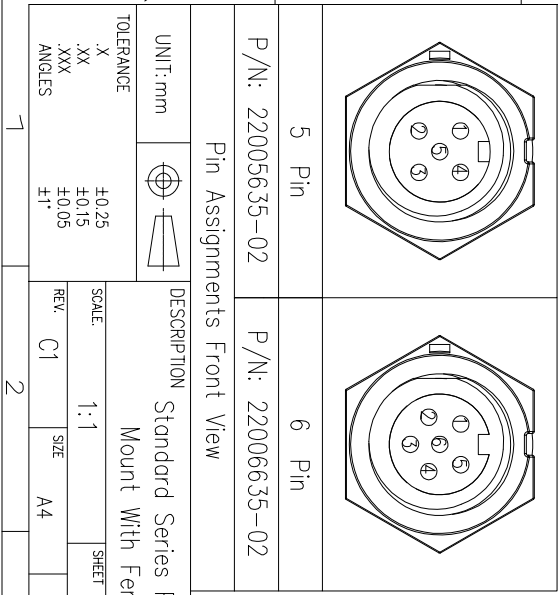


REV.	EN. NO.	DESCRIPTION	SIGN	DATE
C1	N/A	INITIAL DRAWING	Liu	2019/08/13



- Specification:
- 1.Operation Temperature: -45°C~105°C.
 - 2.Insulation Resistance:100MΩ at DC500V.
 - 3.Contact Resistance:<10mΩ.
 - 4.Withstand Voltage: 1300V AC
 - 5.Operating Current:5A
 - 6.Operating Voltage:AC 60V
 - 7.Waterproof Rate:IP67 (Mated)
 - 8.Housing:Nylon, Black
 - 9.Female Pin:Copper Alloy, Gold Plated
 - 10.Gasket:Silicon Gray
 - 11.Panel Nut:Nylon, Blue
 - 12.RoHS Compliant.
 - 13.Mating Cap P/N: 806-00053-00



22XXXX635-02
Pin Number

P/N: 22005635-02
P/N: 22006635-02

5 Pin
6 Pin

Pin Assignments Front View

UNIT:mm

DESCRIPTION
Standard Series Push Lock Front Mount With Female Pin(PCB)

SCALE: 1:1

REV: C1

SIZE: A4

SHEET: 1 OF 1

* : Inspection Item

PART NO: 22XXXX635-02

DWG NO: [Blank]

CUSTOMER: [Blank]

DRAWN BY: Liu

CHECKED BY: Mo

APPROVED BY: Ponson

DATE: 2019/08/13

DATE: 2019/08/13

DATE: 2019/08/13

