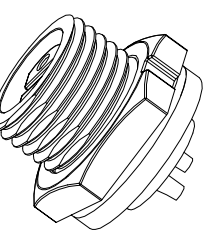
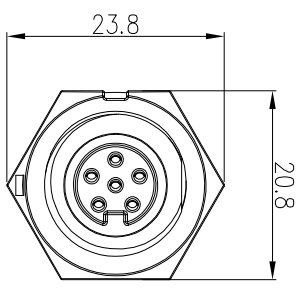
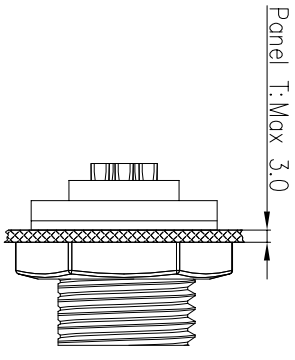
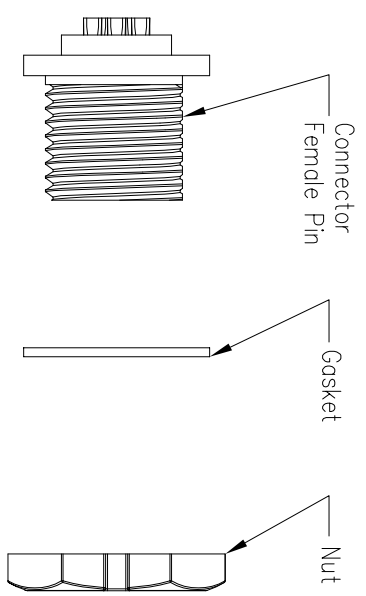
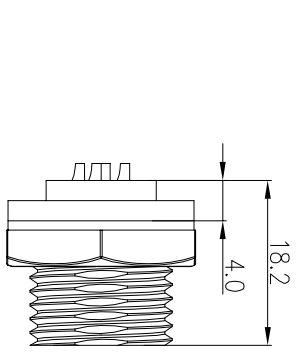
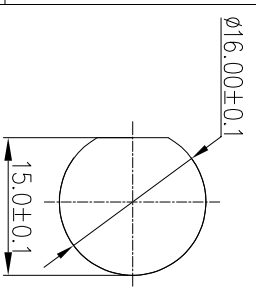
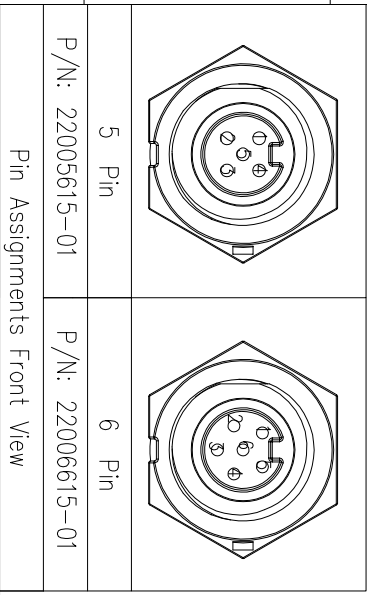


REV.	EN. NO.	DESCRIPTION	SIGN	DATE
C1	N/A	INITIAL DRAWING	Liu	2019/08/13



- Specification:
1. Operation Temperature: -45°C~105°C.
  2. Insulation Resistance: 100MΩ at DC500V.
  3. Contact Resistance: <10mΩ
  4. Withstand Voltage: 1300V AC
  5. Operating Current: 5A
  6. Operating Voltage: AC 60V
  7. Waterproof Rate: IP67 (Mated)
  8. Housing: Nylon, Black
  9. Female Pin: Copper Alloy, Gold Plated
  10. Gasket: Silicon Gray
  11. Panel Nut: Nylon, Black
  12. Torque Rate: 0.8~1.0N • m
  13. RoHS Compliant.
  14. UL Compliant.
  15. Mating Cap P/N: 806-00030-00

22XXXX615-01  
Pin Number



UNIT: mm	DESCRIPTION	
TOLERANCE	Standard Series Screw Front Mount With Female Pin	
.X	SCALE	1:1
.XX	REV	C1
.XXX	SIZE	A4
ANGLES	SHEET	1 OF 1
	* : Inspection Item	

**CHOGORI**

PART NO	22XXXX615-01	DRAWN BY	Liu	DATE	2019/08/13
DWG NO		CHECKED BY	Mo	DATE	2019/08/13
CUSTOMER		APPROVED BY	Ponson	DATE	2019/08/13