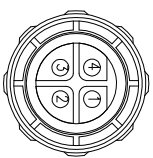
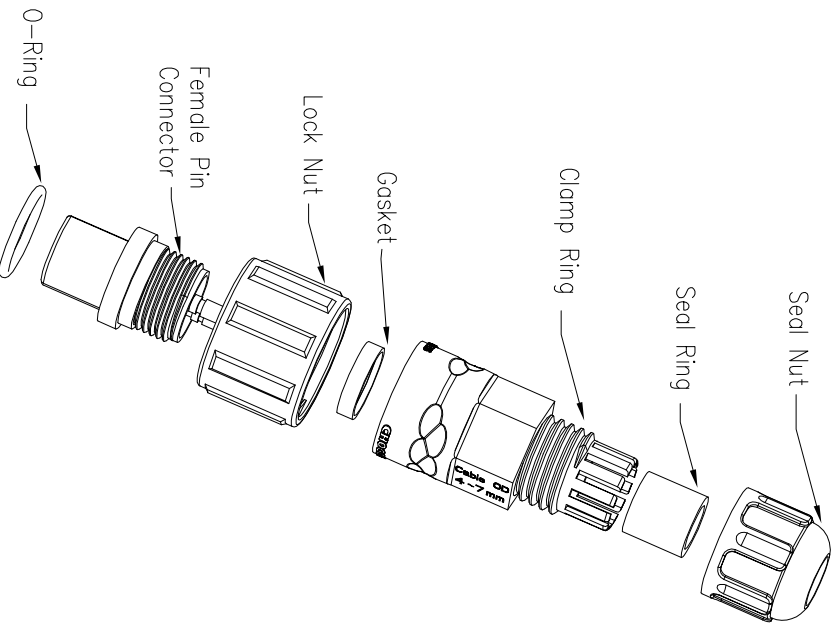
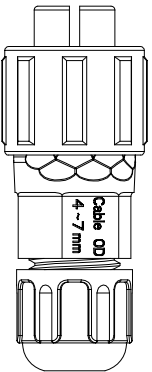
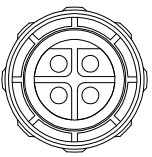
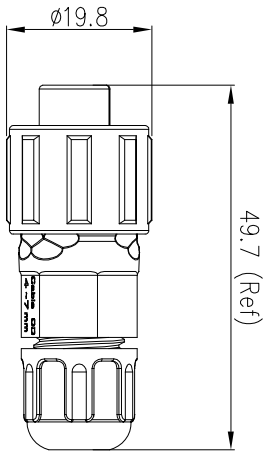


REV.	EN. NO.	DESCRIPTION	SIGN	DATE
C1	N/A	INITIAL DRAWING	Liu	2019/08/13

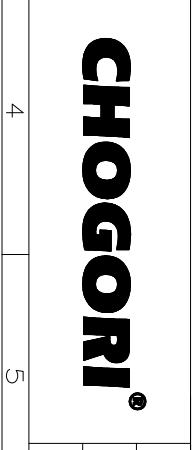


22XXXX211-01
Pin Number

4 Pin
P/N: 22004211-01
Pin Assignments
Front View

UNIT: mm
TOLERANCE
.X ±0.25
.XX ±0.15
.XXX ±0.05
ANGLES ±1°

DESCRIPTION
Standard Series Screw
Male Plug With Female Pin
SCALE: 1:1
REV: C1 SIZE: A4 SHEET: 1 OF 1
*: Inspection Item



PART NO: 22XXXX211-01
DWG NO: DRAWN BY: Liu
CUSTOMER: CHECKED BY: Mo
APPROVED BY: Pansonson
DATE: 2019/08/13
DATE: 2019/08/13
DATE: 2019/08/13

- Specification:
1. Operation Temperature: -45°C~105°C.
 2. Insulation Resistance: 100MΩ at DC500V.
 3. Contact Resistance: <10mΩ
 4. Withstand Voltage: 1500V AC
 5. Operating Current: 10A
 6. Operating Voltage: AC 125V
 7. Waterproof Rate: IP67 (Mated)
 8. Seal Nut: Nylon, Black
 9. Seal Ring: Silicon, Black.
 10. Clamp Ring: Nylon, Black
 11. Gasket: Silicon, Red
 12. Lock Nut: Nylon, Black
 13. Female Pin: Copper Alloy, Gold Plated
 14. Connector: Nylon+GF, Black
 15. O-Ring: Silicon, Red
 16. RoHS Compliant.
 17. UL Compliant.
 18. Cable Range OD: φ3.5mm~φ6.8mm
 19. Mating Cap: 806-00032-00