

**Industrial Ethernet
IE-TO-RJ45-FJ-P**

Weidmüller Interface GmbH & Co. KG
Klingenbergstraße 16
D-32758 Detmold
Germany
Fon: +49 5231 14-0
Fax: +49 5231 14-292083
www.weidmueller.com



Mounting rail outlet, RJ45 module design according to IEC 60603-7-51, for wires with diameters up to 1.6 mm

General ordering data

Type	IE-TO-RJ45-FJ-P
Order No.	8946950000
Version	Mounting rail outlet, RJ45, PROFINET, IP20
GTIN (EAN)	4032248734931
Qty.	10 pc(s).

**Industrial Ethernet
IE-TO-RJ45-FJ-P**

Weidmüller Interface GmbH & Co. KG
 Klingenbergstraße 16
 D-32758 Detmold
 Germany
 Fon: +49 5231 14-0
 Fax: +49 5231 14-292083
 www.weidmueller.com

Technical data**Dimensions and weights**

Net weight	54.2 g
------------	--------

Temperatures

Humidity	0...93 % rel. humidity	Operating temperature, max.	70 °C
Operating temperature, min.	-40 °C	Operating temperature	-40 °C...70 °C
Storage temperature		Temperature range, installation, min.	-25 °C
Installation temperature		Temperature range, installation, max.	70 °C

Environmental Product Compliance

REACH SVHC	Lead 7439-92-1
------------	----------------

General data

Connection 1	RJ45	Connection 2	IDC
Configuration	Switchable volt. connection from module/ coupling to mounting rail	Wiring	PROFINET
Colour code	Light Grey	Shock resistance acc. to IEC 60512-4	250 ms ⁻²
Vibration resistance acc. to IEC 60512-4	50 ms ⁻² sinusoidal (9...500 Hz)	Humidity	0...93 % rel. humidity
Housing main material	PA UL 94 V0	Insulation cross-section, max.	1.6 mm
Category	Cat.5 (ISO/IEC 11801)	Contact material	Spring steel, Ni 1.2 µm
Contact surface	Au ≥ 0.8 µm	Connection diameter, solid	0.4...0.64 mm
Conductor connection cross-section, solid (AWG)	AWG 24...AWG 22	Connection diameter, flexible	0.48...0.76 mm
Conductor connection cross-section, flexible (AWG)	AWG 26...AWG 22	Sheath diameter, min.	5.5 mm
Sheath diameter, max.	10 mm	Type of mounting	TS 35
Protection degree	IP20	Plugging cycles	750
Ability to reconnect	≥ 10 cycles for AWG 23-26, ≥ 4 cycles for AWG 22		

Electrical properties

Contact resistance	≤ 20 mΩ	Current-carrying capacity at 50 °C	1 A
Dielectric strength, contact / contact	≥ 1000 V DC	Dielectric strength, contact / shield	≥ 1500 V DC
Insulation strength	500 MΩ	PoE / PoE+	conforming to IEEE 802.3at

Standards

Connector standard	IEC 60603-7-51
--------------------	----------------

Classifications

ETIM 3.0	EC000018	ETIM 4.0	EC000018
ETIM 5.0	EC000018	ETIM 6.0	EC000313
UNSPSC	30-21-18-01	eClass 6.2	27-25-05-04
eClass 7.1	27-25-05-04	eClass 8.1	19-17-01-25
eClass 9.0	27-44-03-20	eClass 9.1	19-17-01-25

Data sheet**Industrial Ethernet
IE-TO-RJ45-FJ-P**

Weidmüller Interface GmbH & Co. KG
Klingenbergstraße 16
D-32758 Detmold
Germany
Fon: +49 5231 14-0
Fax: +49 5231 14-292083
www.weidmueller.com

Technical data**Approvals**

Approvals



ROHS

Conform

DownloadsApproval/Certificate/Document of
Conformity[PROFINET Manufacturer's Declaration](#)

Brochure/Catalogue

[CAT 9 IETH 15/16 EN](#)
[MB FREECONTACT EN](#)
[FL FIELDWIRING EN](#)
[PI PROFINET CABLING EN](#)

User Documentation

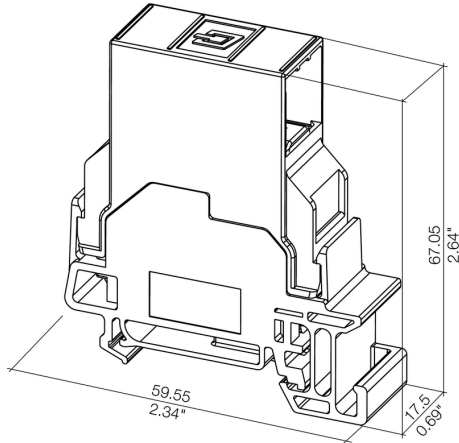
[MAN IE GUIDE DE](#)
[MAN IE GUIDE EN](#)

**Industrial Ethernet
IE-TO-RJ45-FJ-P**

Weidmüller Interface GmbH & Co. KG
Klingenbergstraße 16
D-32758 Detmold
Germany
Fon: +49 5231 14-0
Fax: +49 5231 14-292083
www.weidmueller.com

Drawings

Dimensioned drawing



Drawing

