



# Plate 0324-072-Blue (Pair)

SKU: 61234 Weight: 20.00 Gram

## What Are Plates?

Plates are the most frequently-used mechanical parts which can be connected with various beams to build robot structures. Various diameter of holes on the plate also allow you to connect with bearings and motors easily. Plate 0324 series comes with different length varying from 40mm to 88mm for various building needs.

(Picture for reference only. please go through part list before purchasing.)

## Feature Integration

? Made from heavy-duty 6061 aluminum extrusion with anodized surface for long-time use;

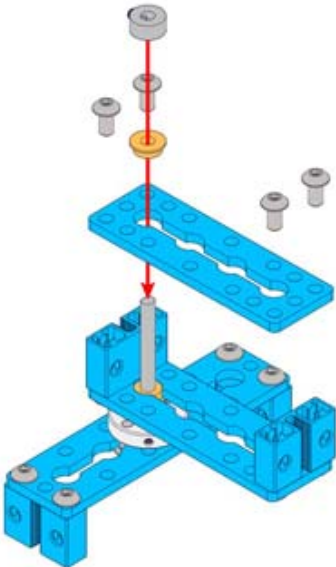
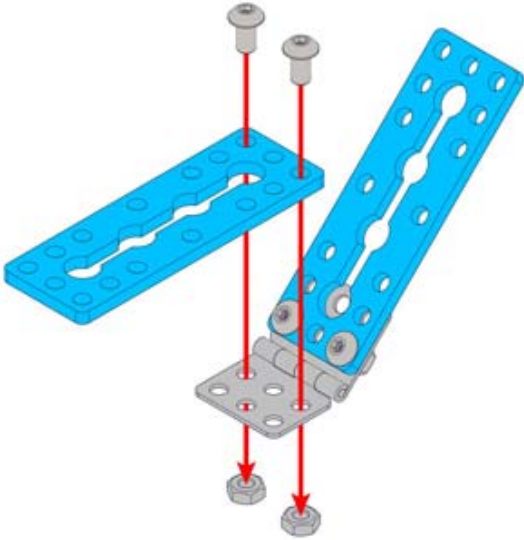
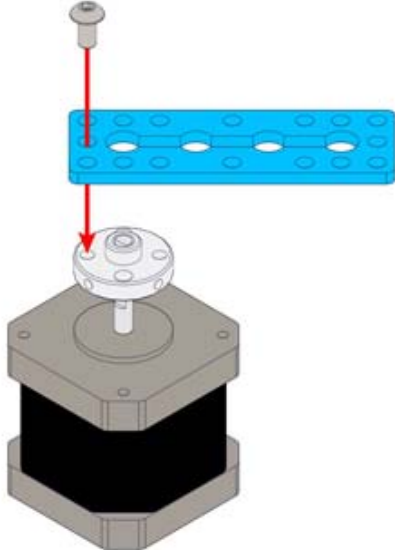
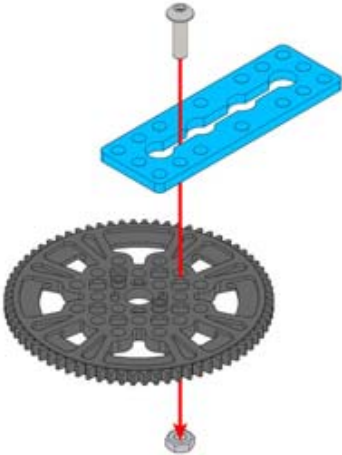
? Comes with various 4mm holes and 8mm holes that meet your different needs;

? 3mm thickness, high-intensity but light-weight.

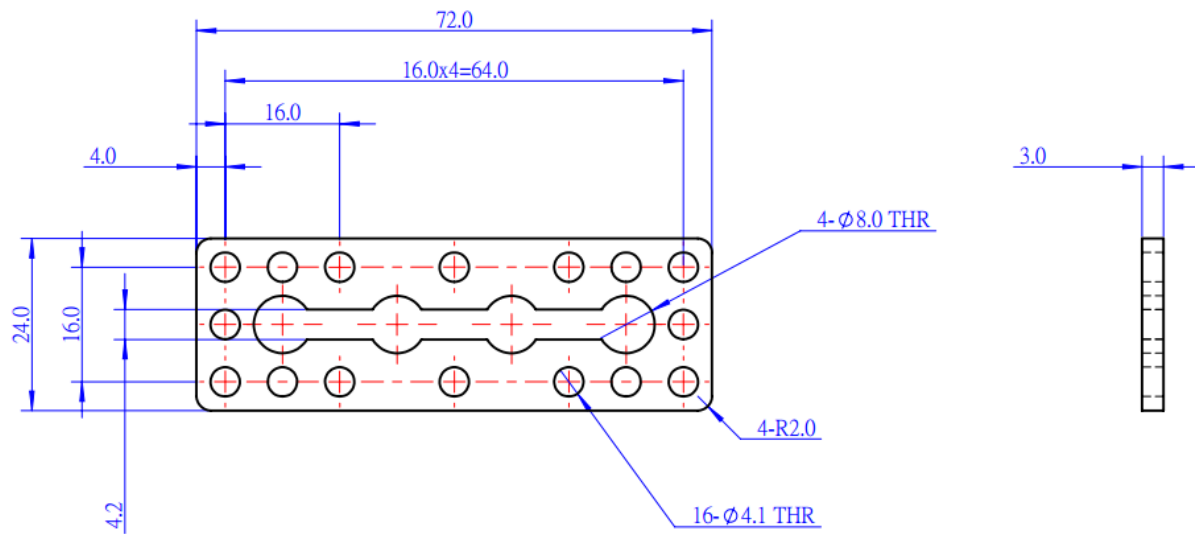
# Note

This page is for Plate 0324-072 with length of 72mm. For other configuration, please search "Plate 0324" in our website.

# Building Examples:



## Size Chart (mm):



## Specifications

SKU	61234
Material	6061 Aluminum
Diameter of holes	4mm, 8mm
Cross-section area	3 x 24mm
Length	72mm
Package content	2 x Plate0324-072
Dimension (L*W*H)	72 x 24 x 3 mm (2.83×0.94×0.12 inch)
Gross weight	20g (0.71oz)