



# Plate3x5x120°

SKU: 61424 Weight: 7.80 Gram

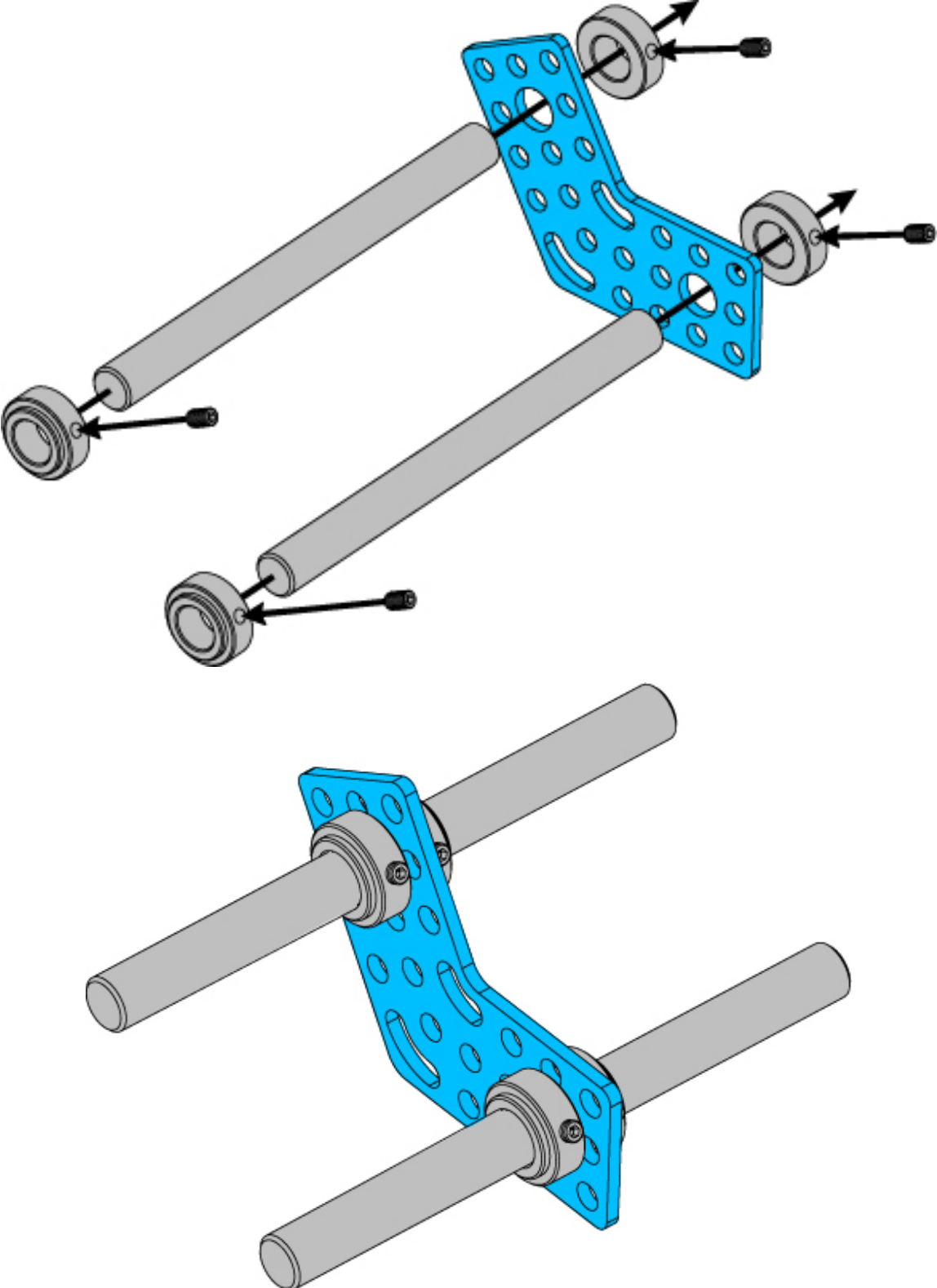
## What Is Plate3x5x120°?

Plate3x5x120° has two kinds of hole(diameter 4mm and 8mm) on the surface, and the angle is 120°. It can be easily installed and extended for use

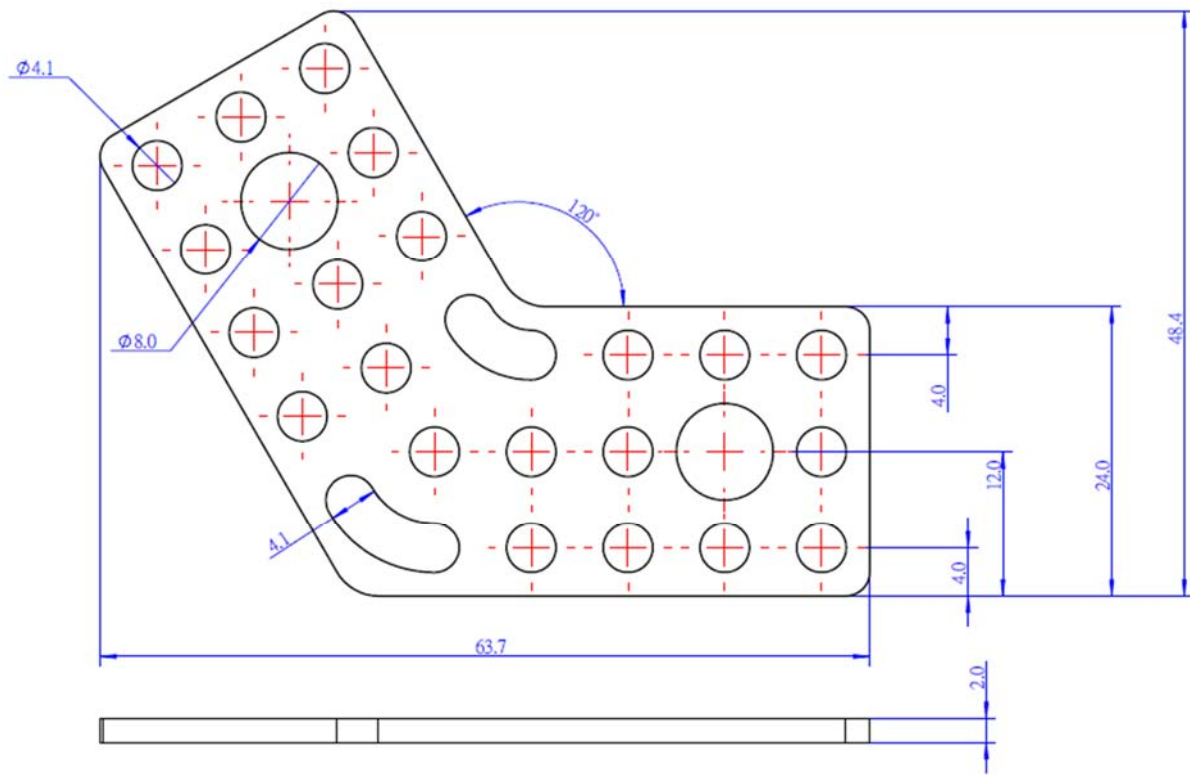
## Features

- Made of 6061 aluminum alloy and has a nice appearance.
- High wear resistance, strong rigidity and high intensity.
- Hole Diameter: 4mm / 8mm.
- Angle: 120°

DEMO



# Size Charts



## Specifications

SKU	61424
Product Name	Plate3x5x120°
Length	63.7mm
Cross-section Area	63.7 x 48.4mm
Gross Weight	7.8g(0.28oz)
Package Content (Quantity x Part Name)	1 x Plate3x5x120°