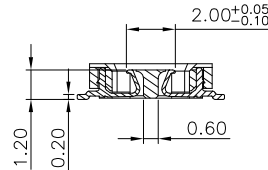
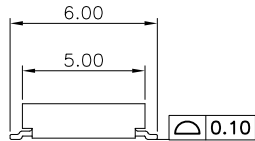
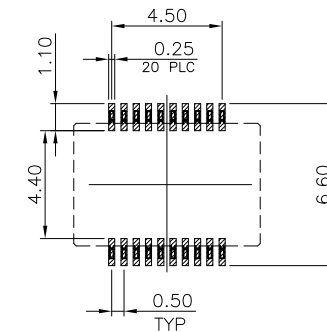
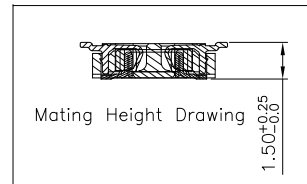


Compliance with:  
 PCIe4.0(GT/S),  
 USB4 Gen3(40Gbps),  
 USB3.2 Gen2(10Gbps).  
 Mating with:  
 "BAAD-020G1120NOLI-B"



A-A



▨ : STAND OFF AREA

**P.C.B LAYOUT**

RoHS compliant

<b>B</b>	<b>B</b>	<b>A</b>	<b>D</b>	<b>-</b>	<b>0</b>	<b>2</b>	<b>0</b>	<b>G</b>	<b>1</b>	<b>1</b>	<b>4</b>	<b>5</b>	<b>B</b>	<b>O</b>	<b>L</b>	<b>I</b>	<b>-</b>	<b>B</b>
Number of Contact 20 Contact				Contact Plating <b>G1</b> Gold flash		Height <b>H</b> 1.45mm		Base Color <b>B</b> Black		Plastic <b>L</b> LCP		Packing <b>I</b> Reel		Series No.		<input type="checkbox"/> Without locating peg and fitting nail <input type="checkbox"/>		

REV.	DESCRIPTION	DATE
<b>A</b>	<b>New Drawing</b>	<b>2016/04/26</b>

LTR	Part Name	Material	Description	QTY
<b>1</b>	<b>Housing</b>	<b>LCP UL94V-0</b>	<b>260°C for 10 Seconds. Initial : 1000M Ohms Min.</b>	<b>1</b>
<b>2</b>	<b>Contact</b>	<b>Bronze C5191</b>	<b>Current Rating : 0.5 A Initial : 30m Ohms Max.</b>	<b>20</b>

Temperature Rating : -40°C ~ +105°C .  
 Dielectric Withstanding Voltage : 300 V AC/Min

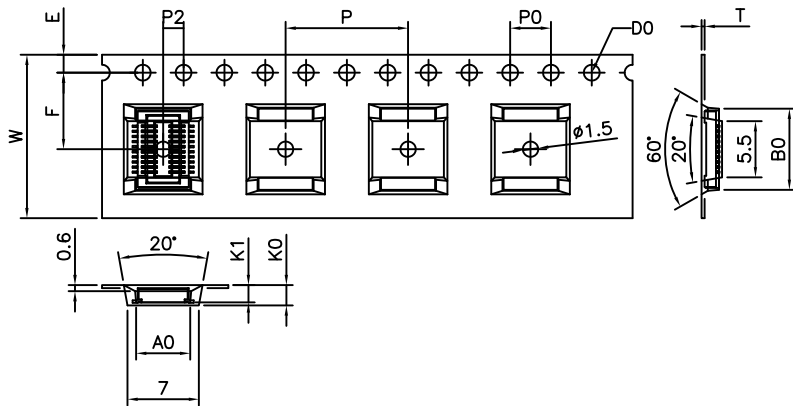
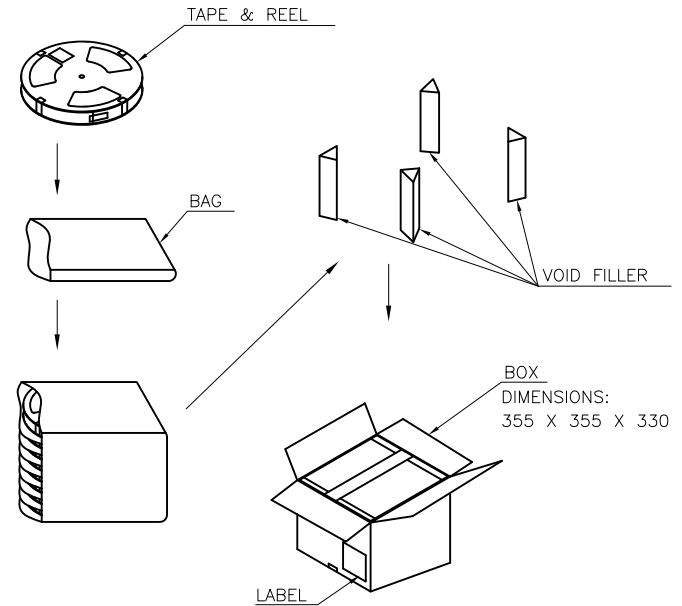
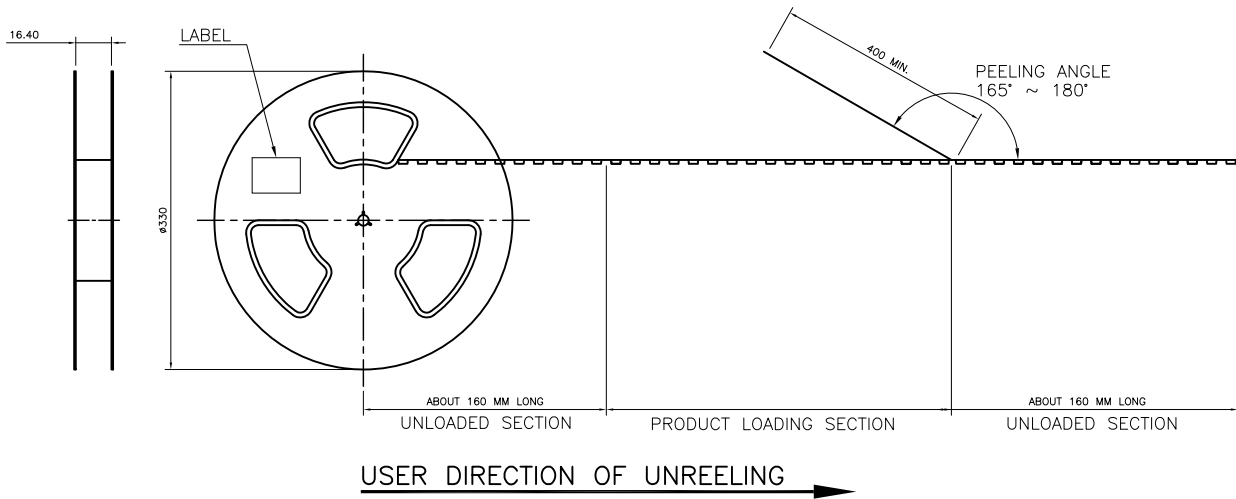
**Superior Tech Co., Ltd.**

REV.	UNIT	SCALE	
<b>A</b>	<b>mm</b>	<b>1:1</b>	

General Tolerance	TITLE	PH0.5 BTOB H1.45 20PIN Male	
X. ± 0.5	DRAWN	DATE	NO.
.X ± 0.3	Tom	04-26-16'	002
.XX ± 0.2	CHECK	DATE	PART NO.
.XXX ± 0.1	APPROVED	DATE	BBAD-020G1145BOLI-B
Angle	± 5°	DATE	CUSTOMER NO.
			DK

(Q2-R03-01A) ST-R05-07

REV.	DESCRIPTION	DATE
A	New Drawing	2013/12/09



Note:  
 1.All dimensions meet EIA-481-C requirements.  
 2.Thickness : 0.3±0.05mm

ITEM	W	A <sub>0</sub>	B <sub>0</sub>	K <sub>0</sub>	K <sub>1</sub>	P	T
DIM	16.0 <sup>+0.30</sup> <sub>-0.30</sub>	5.3±0.1	7.95±0.1	2.0±0.1	1.7±0.1	12.0±0.1	0.30±0.05
ITEM	F	E	D <sub>0</sub>	D <sub>1</sub>	P <sub>0</sub>	P <sub>2</sub>	
DIM	7.5±0.05	1.75±0.1	1.50 <sup>+0.10</sup> <sub>-0.00</sub>	0.00 <sup>+0.00</sup> <sub>-0.00</sub>	4.00±0.1	2.00±0.1	

PIN No.	PCS/R	R/CTN
20PIN	2500 PCS	14 R

**Superior Tech Co., Ltd.**

General Tolerance		TITLE		BBAD-020G1145NOLI-B- Packing	
X. ± 0.5		DRAWN	Tom	DATE	NO.
.X ± 0.3				2013/12/09	002
.XX ± 0.2		CHECK	APPROVED	DATE	PART NO.
.XXX ± 0.1					BBAD-020G1145BOLI-B
REV.	UNIT	SCALE	Angle	DATE	CUSTOMER NO.
A	mm	1:1			DK

(Q2-R03-01A) ST-R05-07