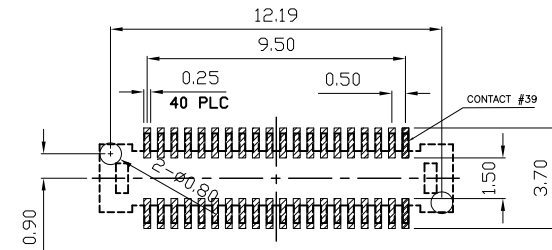
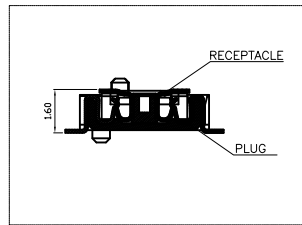
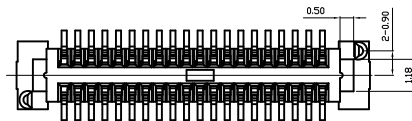
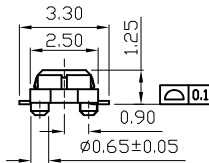
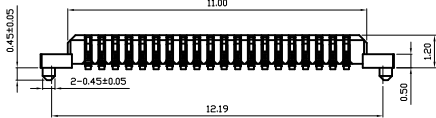
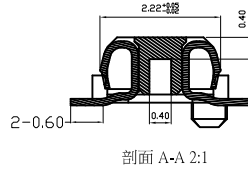
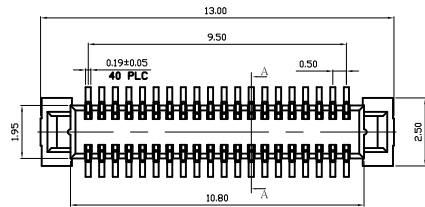


REV.	DESCRIPTION	DATE
A	New Drawing	2013/02/26

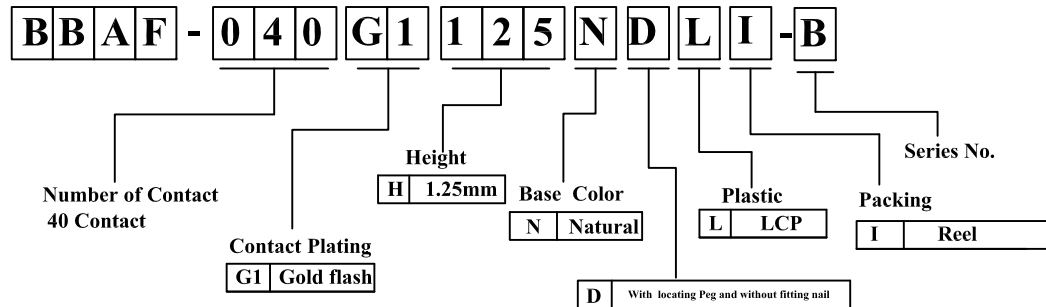
Compliance with:
 PCIe4.0(GT/S),
 USB3.2 Gen2(10Gbps),
 USB3.2 Gen2 Type C(10Gbps)
 Mating with:
 "BAAF-040G1145NDLI-B"



▨ : STAND OFF AREA

P.C.B LAYOUT

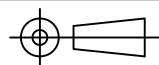
RoHS compliant



Superior Tech Co., Ltd.

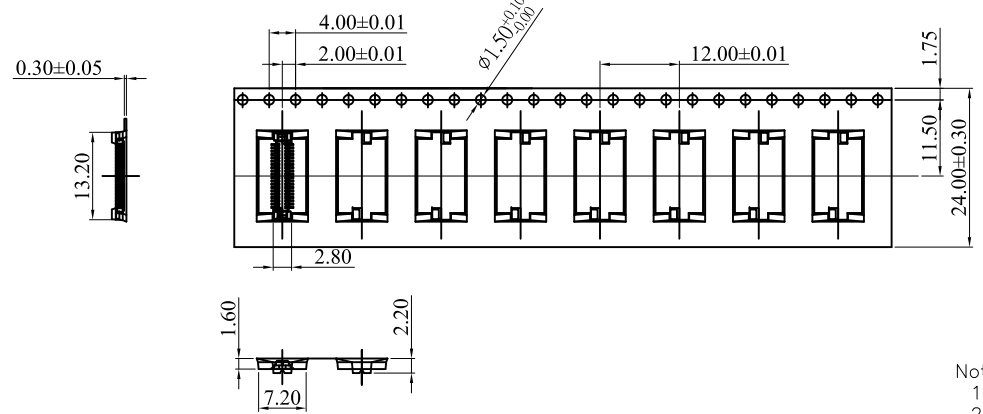
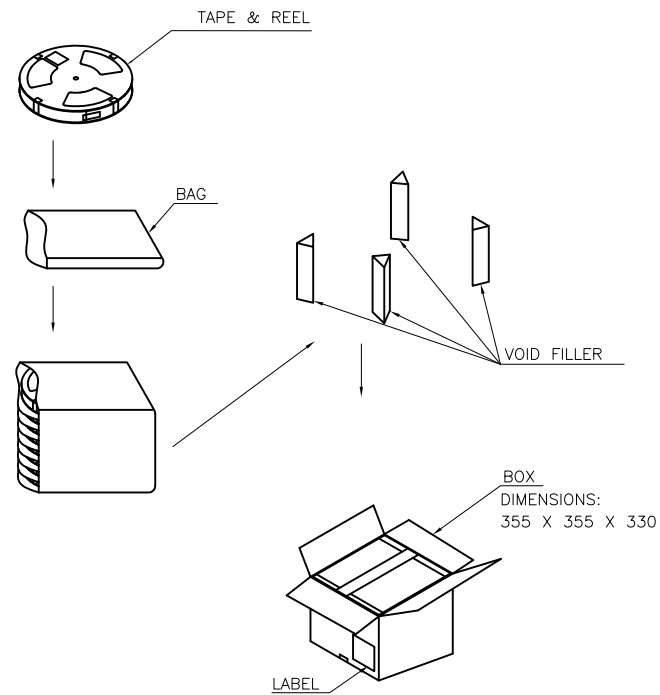
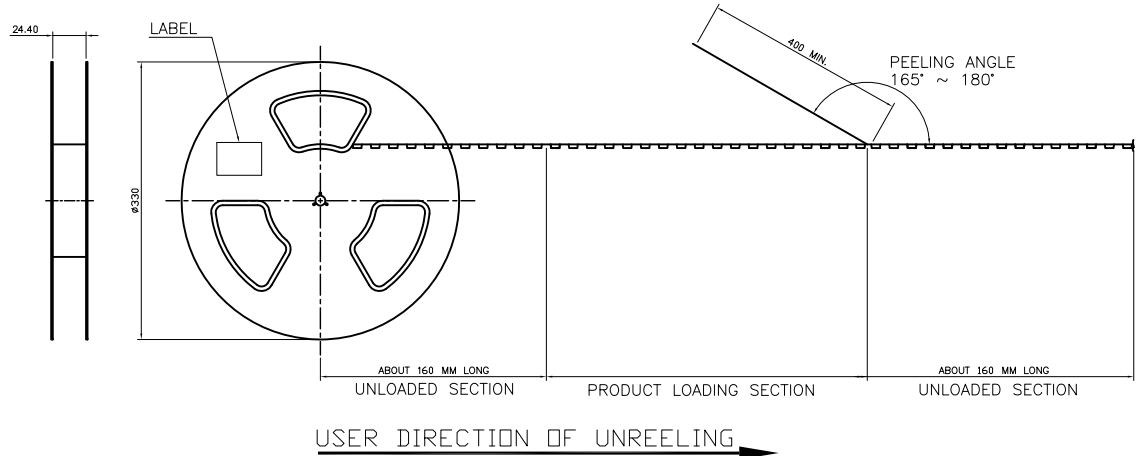
General Tolerance	TITLE	PH0.5 BTOB H1.25 40PIN Male	
X. ± 0.5	DRAWN	DATE	NO.
.X ± 0.3	Tom	02-26-13'	002
.XX ± 0.2	CHECK	DATE	PART NO.
.XXX ± 0.1	APPROVED	DATE	BBAF-040G1125NDLI-B
Angle ± 5°			CUSTOMER NO. DK

REV.	UNIT	SCALE
A	mm	



(Q2-R03-01A) ST-R05-07

REV.	DESCRIPTION	DATE
A	New Drawing	2014/06/04



Note:
 1.All dimensions meet EIA-481-C requirements.
 2.Thickness : 0.3±0.05mm

PIN No.	PCS/R	R/CTN
40PIN	2200 PCS	11 R

RoHS compliant

Superior Tech Co., Ltd.			General Tolerance		TITLE		BBAF-040G1125NDLI-B_Packing	
			X. ± 0.5	DRAWN		DATE	NO.	
REV. A			UNIT mm		Tom		2014/06/04	
			SCALE 1:1		CHECK		PART NO.	
			.XX ± 0.2		DATE		BBAF-040G1125NDLI-B	
			.XXX ± 0.1		APPROVED		CUSTOMER NO.	
			Angle ± 5°		DATE		DK	
							(Q2-R03-01A) ST-R05-07	