

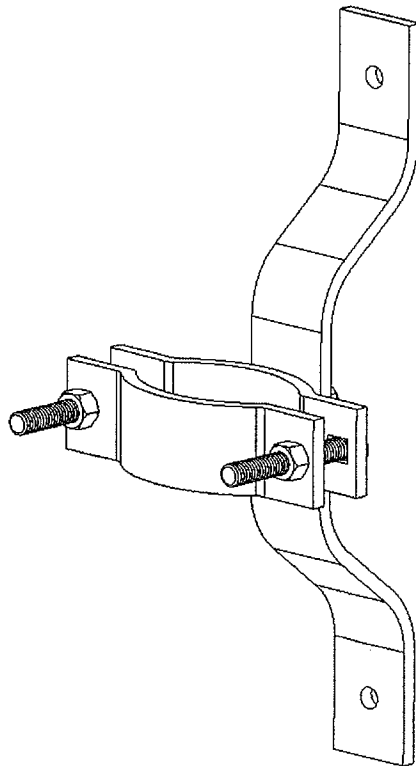
# **WMP**

VIDEO MOUNT PRODUCTS

Instruction Sheet For:

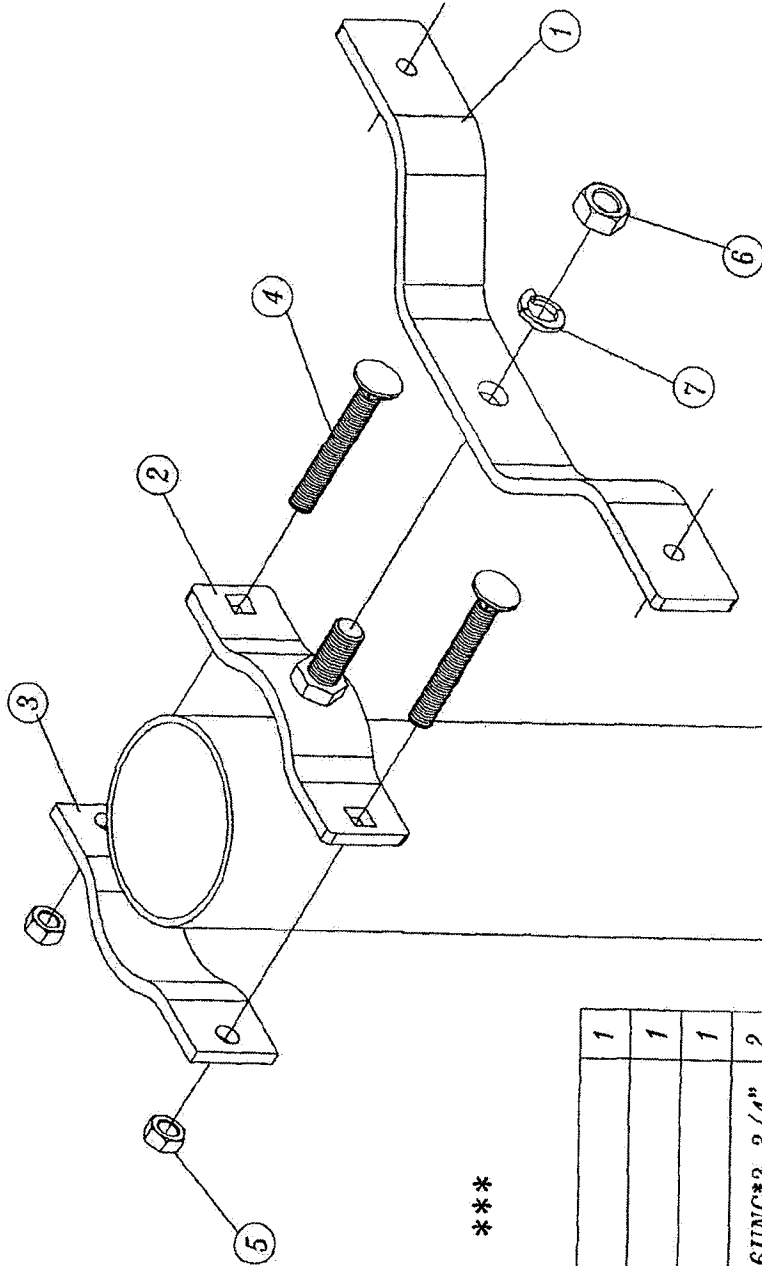
## **GU-3**

---



---

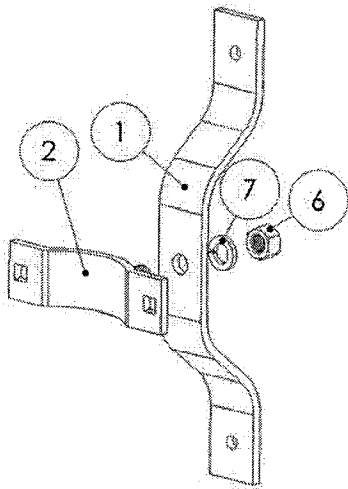
For more information, please contact us at:  
345 Log Canoe Circle, Stevensville, Maryland 21666  
Toll Free: 877.281.2169 Phone: 410.643.6390 Fax: 410.643.6615  
[www.videomount.com](http://www.videomount.com)



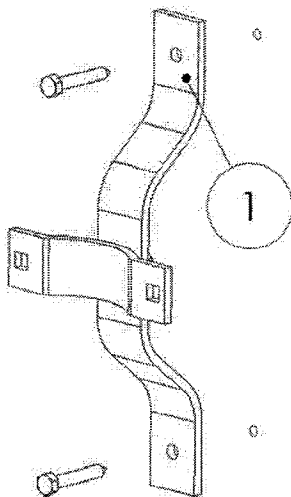
\*\*\* GU-3 \*\*\*

1	TOP PLATE	1
2	WELDED BRACKET	1
3	BRACKET	1
4	CARRIAGE BOLT 3/8" - 16UNC*2-3/4"	2
5	HEX NUT 3/8" - 16UNC	2
6	HEX NUT 1/2" - 12UNC	1
7	LOCK WASHER $\phi$ 13.5* $\phi$ 16.5	1

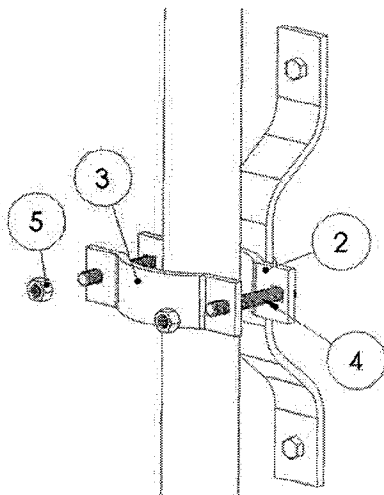
1.25" to 3" O.D. Mast



Step 2: Attaching the welded bracket to the top plate



Step 3: Attaching the top plate to the mounting surface



Step 4: Clamping the antenna mast in place

### Step 1

Before starting, lay out all parts to your mount and match them to the parts list provided. Verify that you have all your parts before attempting to assemble the mount. **Note: It is highly recommended that the installation of the mount be done by a professional.**

### Step 2

Attach the welded bracket (2) to the top plate (1) using the lock washer (7) and hex nut (6).

### Step 3

Mark the wall or desired mounting surface in preparation of installation of top plate (1). Pre-drill if necessary and mount top plate (1) to desired surface. **Warning: Please verify that your mounting surface will support the combined weight of your mount, mounting hardware, and antenna mast. Also verify that the mounting surface is safe to drill through. If in doubt, please contact a professional installer.**

### Step 4

Place the antenna mast into the cup on the welded bracket (2). Place the bracket (3) on the opposite side of the antenna mast and use the carriage screw (4) and hex nuts (5) to clamp the bracket (3) and welded bracket (2) together to clamp the antenna mast in place.

**Please verify that all nuts and screws are securely tightened.**



## Enjoy Your Mount!

**WARNING: The installer must verify the installation meets all applicable codes and survival requirements. Video Mount Products will not be held liable for the improper use or installation of its products.**