

## Introduction

Designed in accordance with EIA standard RS-310, Vector subracks and modules offer versatility within a 19" rackmount format. All racks are adjustable in both height and depth, offering standard product solutions for standard and custom requirements.

All Subrack sizes are compatible with Vector prototyping boards (see Vectorbord section), and can accommodate other sizes as well. Several card guide types (metal or plastic, snap-in, rivet, or screw-down) are available.

## Cages

VectorPak® Subrack and Module Subrack Types by Part Number Stem:

**CCK** - Card Cage frame kit. Kits with no card guides use 'F' in number (e.g., CCK13F/90). Other kits have 21 pair of guides included: 'S'= plastic snap-in type e.g., CCK13S/90; 'M' or 'P'= metal or plastic, fastened with hardware. Guide spacing is .25".

**CCA** - Same as CCK version, but all are **assembled with guides**.

**CMA** - Assembled **Module Subrack** for EFP modules. Modules available separately.

**CCM** - Assembled rack for **Card Mount Modules** (CM type). Modules available separately.

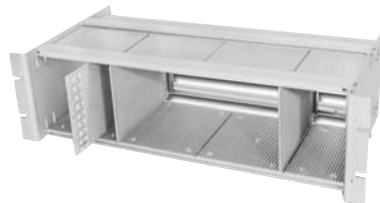
For Rack Accessories see page 41A

For Desktop outer enclosure, see page 42

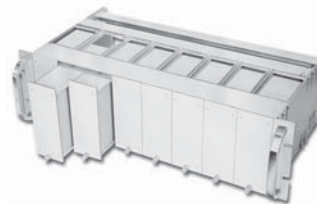
New Item: CCK19F/90 (For max 11.5" x 13.5" cards)



Subrack Kits (CCK)



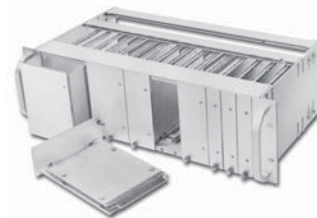
Assembled Subracks with Continuous Guide Plate



Assembled Module Subracks (CMA)



Assembled Subracks with Card Guides (CCA)



Assembled Card Mount Subracks (CCM)

### CCK - 13 - S - /90

#### Model Type

CCK - Kit only with snap-in card guides  
 CCA - Factory assembled version of CCK with snap-in card guides  
 CCM - Factory assembled card mount cage with snap-in card guides  
 CMA - Assembled module cage with module guides

#### Series Number (Max. Card Size)

12 - 3U (5.25") X 19" X 9" (4.5" x 4.5")  
 21 pair Card Guides included  
 13 - 3U (5.25") X 19" X 9" (4.5" x 6.5")  
 21 pair Card Guides included  
 14 - 3U (5.25") X 19" X 12" (4.5" x 9.6")  
 16 - 3U (5.25") X 19" X 15.75" (4.5" x 13.5")  
 15 - 4U (7.00") X 19" X 12" (6.25" x 9.6")  
 20 - 4U (7.00") X 19" X 15.75" (6.25" x 13.5")  
 17 - 5U (8.75") X 19" X 12" (8.00" x 11.0")  
 18 - 6U (10.50") X 19" X 15.75" (9.75" x 13.5")  
 19 - 7U (12.25") X 19" X 15.75" (11.5" x 13.5")  
 100 - 7U (12.25") X 19" X 9.00" (11.5" x 7")

Note: /90 denotes side walls with .200" slot width

On CCA, K frames only also denotes snap-in version

#### CCK Type

F - Frame only, snap-in plastic, metal or plastic screw-down card guides available separately  
 C - Continuous guide plate, assembled cage only  
 S - Snap-in guides included  
 M - Screw-in Aluminum card guides  
 P - Screw-in plastic card guides

#### CMA 13 or 14 - XX/90

16 - Designed for 1.6" wide EFP modules  
 20 - Designed for 2.0" wide EFP modules  
 30 - Designed for 3.0" wide EFP modules

For Front Door Panels and Covers see page 41A

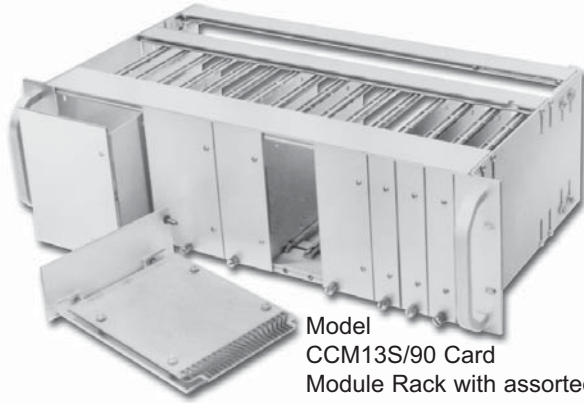
11115 Vanowen St., North Hollywood, CA 91605 Phone (818) 985-8208

Toll-Free (800) 423-5659

Web site: <http://www.vectorelect.com>

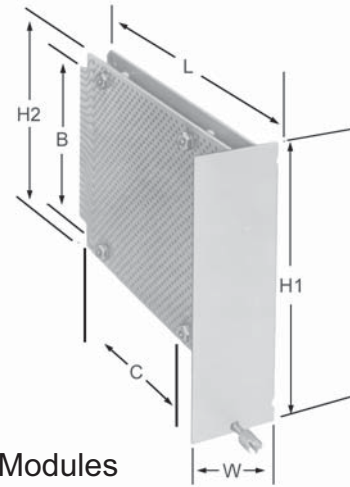
**VECTOR**  
 ELECTRONICS & TECHNOLOGY, INC.  
 A Fine Technology Group

# Cardmount Subracks



Model CCM13S/90 Card Module Rack with assorted cardmount modules

- Accepts CM45A65 Card Mount Modules
- Card guide positions are variable at .25" increments
- Assembled module rack - plastic snap-in install on 1" centers
- Different width modules may be inserted interchangeably without guide changes
- Card mount modules (CM Series) with 1" to 4" widths
- For 3U and 4U applications
- Adjustable rear struts for connection of backplanes (struts available separately)
- .062" thick aluminum plates are inserted into guide; PC Card is attached firmly to plate
- Front panels on card mount may be removed for custom punching, plating and printing
- Modules may be secured by thumb screws (SC10-3A, 10-32 included)
- For Desktop outer enclosure, see page 42



## Card Mount Modules

Part No.	Height		Width		Length		Module Rack	Card Guide
	H1	H2	W	L	B	C		
CM45A65-1	5.25"	4.5"	1.0"	6.57"	3.8"	3.6"	CCM13S	CG2-65
CM45A65-2	5.25"	4.5"	2.0"	6.57"	3.8"	3.6"	CCM13S	CG2-65
CM45A65-4	5.25"	4.5"	4.0"	6.57"	3.8"	3.6"	CCM13S	CG2-65
CM45B95-1	5.25"	4.5"	1.0"	9.57"	3.8"	6.6"	CCM14S	CG2-95
CM45B95-2	5.25"	4.5"	2.0"	9.57"	3.8"	6.6"	CCM14S	CG2-95
CM45B95-4	5.25"	4.5"	4.0"	9.57"	3.8"	6.6"	CCM14S	CG2-95
CM62F95-1	7.0"	6.25"	1.0"	9.57"	5.5"	6.6"	CCM15S	CG2-95
CM62F95-2	7.0"	6.25"	2.0"	9.57"	5.5"	6.6"	CCM15S	CG2-95
CM62F95-4	7.0"	6.25"	4.0"	9.57"	5.5"	6.6"	CCM15S	CG2-95
CM90F95-1	10.5"	9.00"	1.0"	9.57"	7.6"	6.6"	CCM18S	CG2-95
CM90F95-2	10.5"	9.00"	2.0"	9.57"	7.6"	6.6"	CCM18S	CG2-95
CM90F95-4	10.5"	9.00"	4.0"	9.57"	7.6"	6.6"	CCM18S	CG2-95

Subracks

# Card Guides

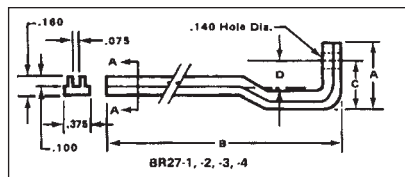
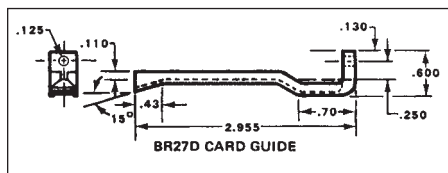
## Free Standing Connector Mounted Card Guides

Secure connection, rugged support of 0.062" thick, free standing circuit boards. For applications in which space is at a premium. Several sizes and styles available. Aluminum alloy construction. Mounting hardware included (HD55 Hardware Kit)

Part No.	Use With Connector	A	B	C	D	For Use With
BR27D	R644	.60"	2.96"	.47"	.25"	4.5" wide Plugboards with centered contacts, such as Vector 3677, 3682 and 3662 series



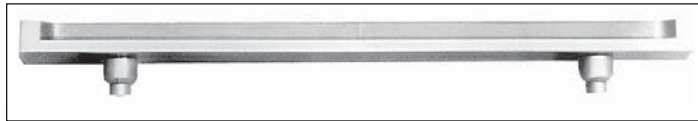
Typical BR27 mounting



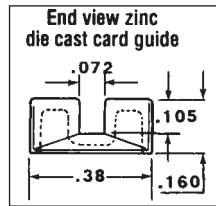
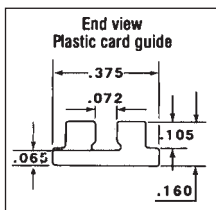
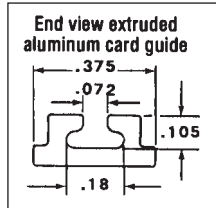
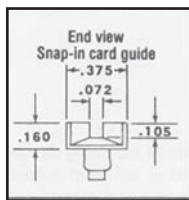
(Ordering Table see page 37)



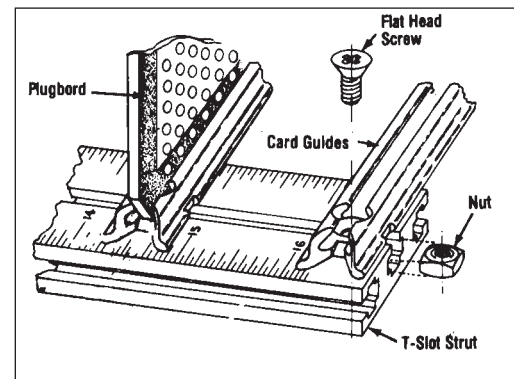
# Card Guides



Tapered slot, snap-in card guides provide easy installation/removal



High quality card guides feature tapered slots for easy insertion. Snap-in nylon models provide easy installation and removal without tools, and can be positioned at 0.25" increments when used with Vector-Pak T-struts (TS169-6/90). Screw-mounted models (installation hardware included) are available in metal or plastic and provide variable positioning along entire length of strut. Holes for mounting guides to struts are based on center-to-center multiples of 0.75". All materials are flame retardant.



Metal or plastic screw down card guides attach with SC4-27/25 flat head screw and NT4-7PA square nut

### Card Guide Ordering Table

Part No.	Type	Length	Centers	Card Length	Application
CG2-45P	Plastic, Screw	2.89"	2.25"	4.50"	Subrack series 12, 13, 14, 17, 18 & 100 and Vector P series sidewalls
CG2-45S	Nylon, Snap-in	3.17"	2.25"	4.50"	
CG2-50P	Plastic, Screw	4.36"	3.75"	5.00"	
CG2-65M	Metal, Screw	5.42"	4.50"	6.50"	
CG2-65P	Plastic, Screw	5.42"	4.50"	6.50"	
CG2-65S	Nylon, Snap-in	5.42"	4.50"	6.50"	Subrack series 14, 15, 17, 18 and 100 and Vector P series sidewalls ending in 119 or 156 CCA19
CG2-80M	Metal, Screw	6.64"	6.00"	8.00"	
CG2-80P	Plastic, Screw	6.64"	6.00"	8.00"	
CG2-80S	Nylon, Snap-in	6.93"	6.00"	8.00"	
CG2-95M	Metal, Screw	8.14"	7.50"	9.50"	
CG2-95P	Plastic, Screw	8.14"	7.50"	9.50"	119 or 156 CCA19
CG2-95S	Nylon, Snap-in	8.43"	7.50"	9.50"	
CG2-135M	Metal, Screw	13.19"	12.55"	13.50"	

Packages of 12 ea. Screw-down types include installation hardware and are available in custom lengths on request.

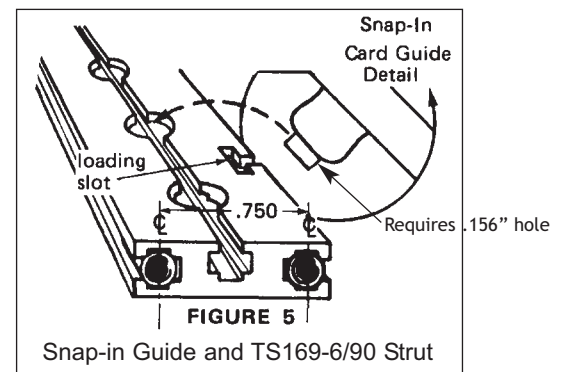


FIGURE 5

Snap-in Guide and TS169-6/90 Strut