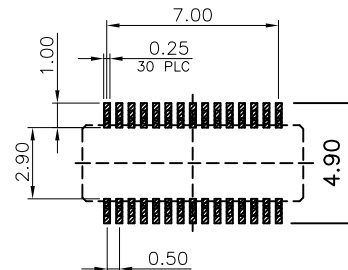
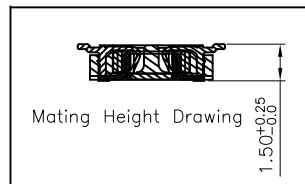
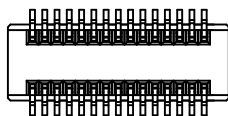
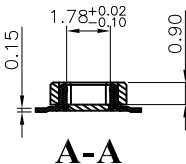
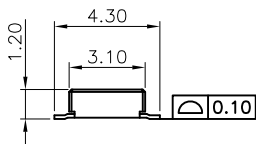
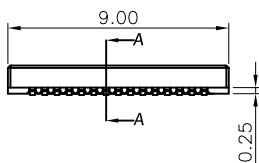
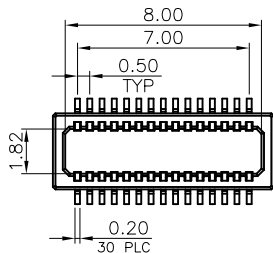


REV.	DESCRIPTION	DATE
A	New Drawing	2013/11/27

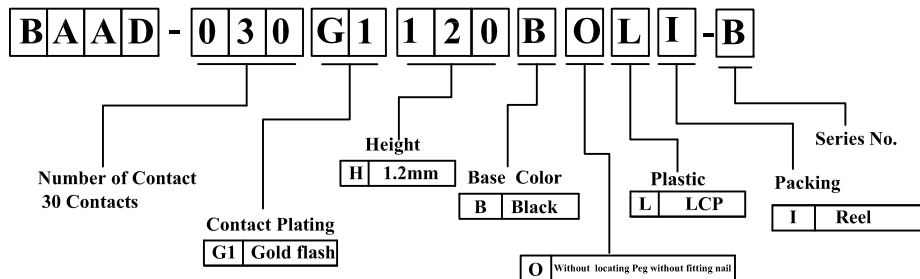
Compliance with:
 PCIe4.0(GT/S),
 USB4 Gen3(40Gbps),
 USB3.2 Gen2(10Gbps).
 Mating with:
 "BBAD-030G1145NOLI-B"



▨ : STAND OFF AREA

P.C.B LAYOUT

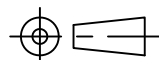
RoHS compliant



Superior Tech Co., Ltd.

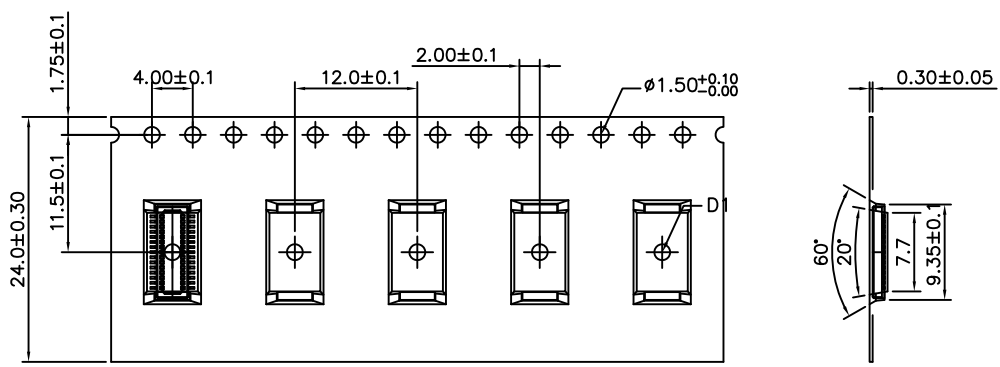
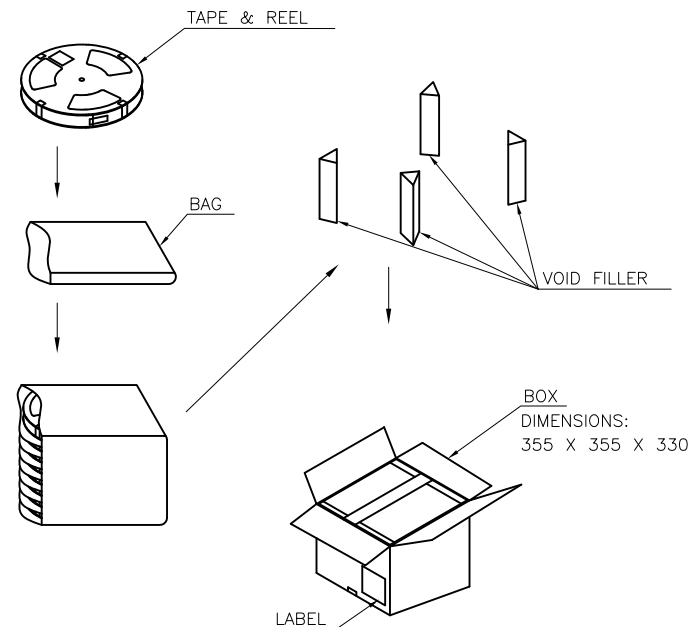
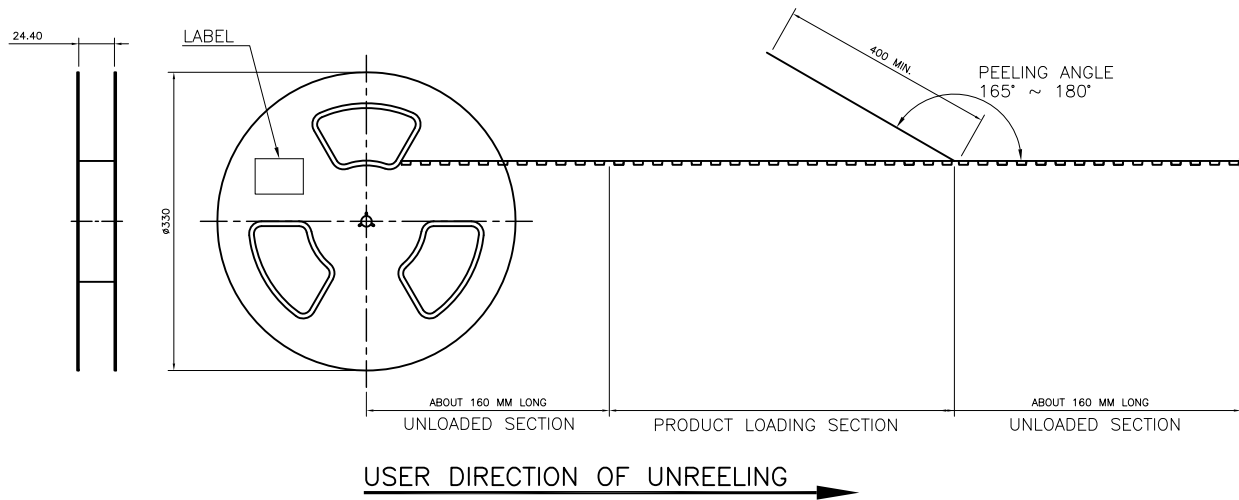
General Tolerance		TITLE	PH0.5 BTOB H1.2 30PIN Female	
X.	± 0.5	DRAWN	DATE	NO.
.X	± 0.3	Tom	11-27-13'	002
.XX	± 0.2	CHECK	DATE	PART NO.
.XXX	± 0.1	APPROVED	DATE	BAAD-030G1120BOLI-B
Angle	± 5°			CUSTOMER NO. DK

REV.	UNIT	SCALE
A	mm	1:1

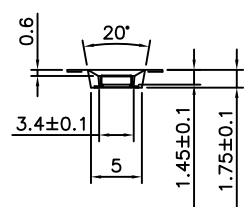


(Q2-R03-01A) ST-R05-07

REV.	DESCRIPTION	DATE
A	New Drawing	2013/12/09



Note:
 1.All dimensions meet EIA-481-C requirements.
 2.Thickness : 0.3±0.05mm



PIN No.	PCS/R	R/CTN
30PIN	2800 PCS	11 R

Superior Tech Co., Ltd.

REV.	A	UNIT	mm	SCALE	1:1		General Tolerance	TITLE	BAAD-030G1120BOLI-B-Packing		
							X. ± 0.5	DRAWN	Tom	DATE	NO.
							.X ± 0.3	CHECK		2013/12/09	002
							.XX ± 0.2	APPROVED		DATE	PART NO.
							.XXX ± 0.1			DATE	BAAD-030G1120BOLI-B
Angle	± 5°			CUSTOMER NO.	DK						

(Q2-R03-01A) ST-R05-07