

6

5

4

3

2

1

D

D

C

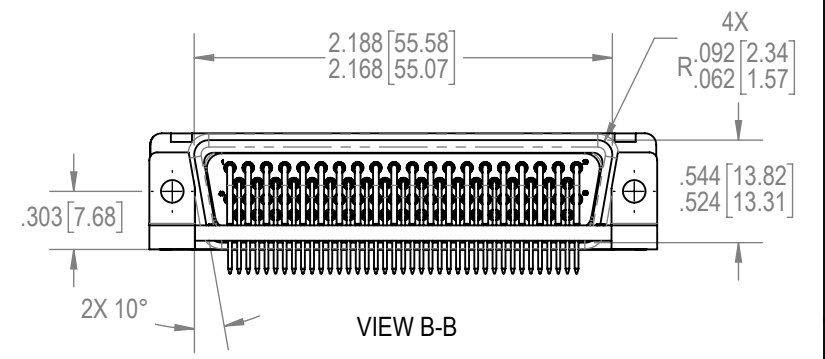
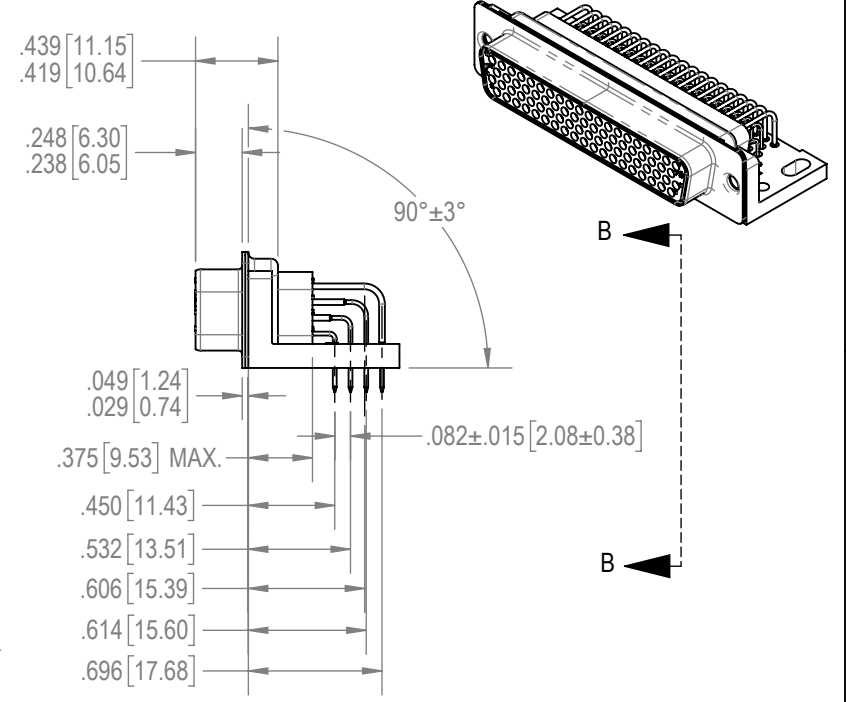
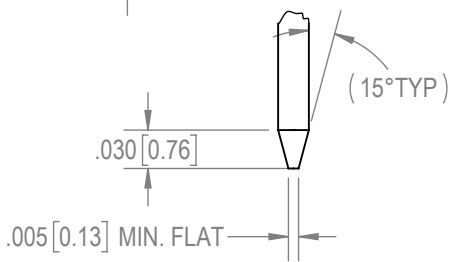
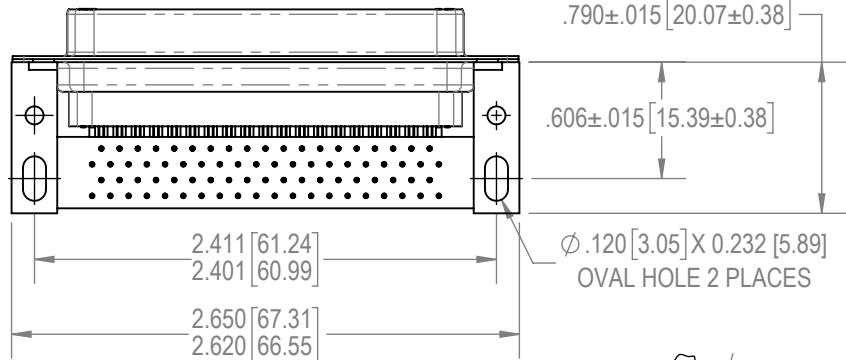
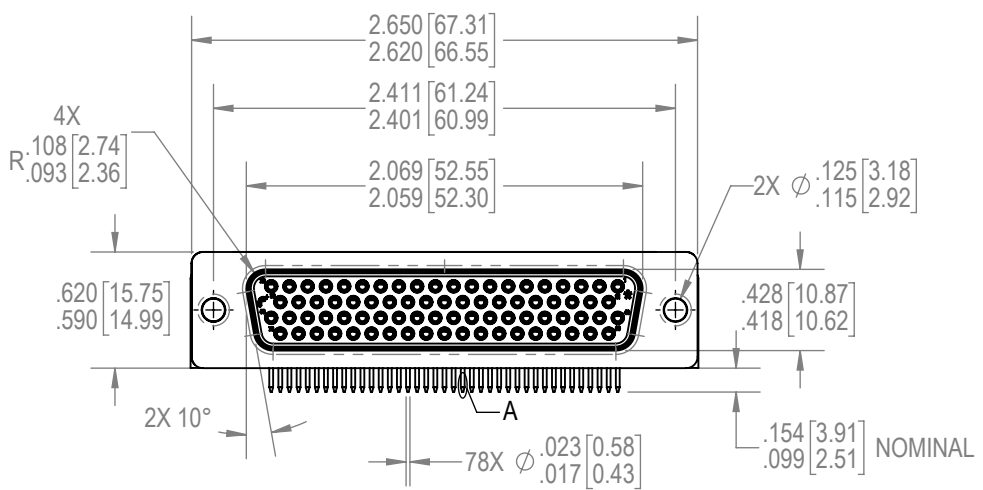
C

B

B

A

A



- NOTES:**
1. THE REQUIREMENTS FOR THE PRODUCT HERE IN SHALL CONSIST OF MIL-DTL-24308.
 2. IN THE EVENT OF A CONFLICT BETWEEN THIS DOCUMENT AND MIL-DTL-24308, MIL-DTL-2430 SHALL TAKE PRECEDENCE.

BY AB	CHK JS	3RD ANGLE 	POSITRONIC BELIEVES THE DATA ON THE DRAWING TO BE RELIABLE. THE USER EMPLOYS SUCH INFORMATION AT HIS OWN DISCRETION AND RISK. POSITRONIC ASSUMES NO RESPONSIBILITY FOR RESULTS OBTAINED OR DAMAGES INCURRED FROM USE OF SUCH INFORMATION IN WHOLE OR IN PART.	 Positronic CONNECTPOSITRONIC.COM
APR PA	RELEASED DATE: 2021-09-25	SCALE NTS		
TOLERANCES ± 0.010 INCHES [0.25mm]		PART NUMBER M24308/23-77F	SERIES M24308	
DIMENSIONS ARE IN INCHES. (MILLIMETER EQUIVELANTS GIVEN FOR REFERENCE ONLY)				
TITLE M24308/23-77F			CREATED ON: 2021-09-23	
SHEET SHEET 1 OF 1			REV A	

6

5

4

3

2

1