

THIS DRAWING IS UNPUBLISHED.

RELEASED FOR PUBLICATION

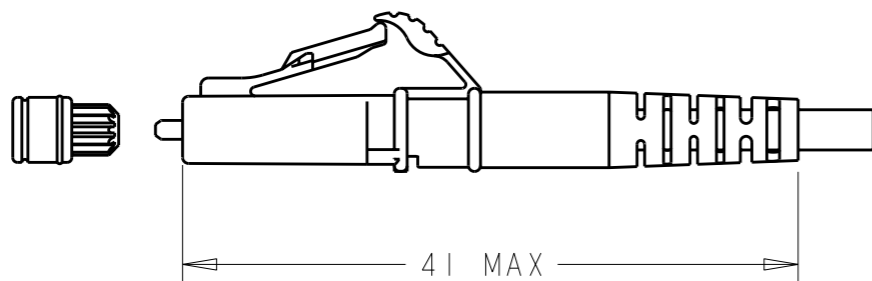
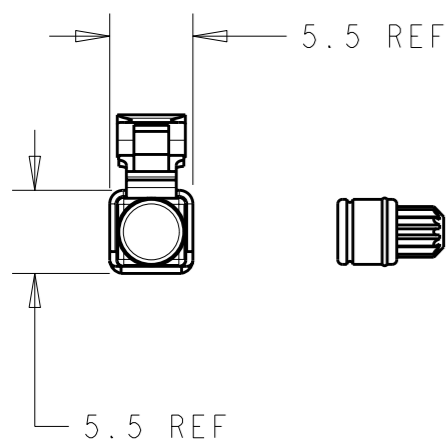
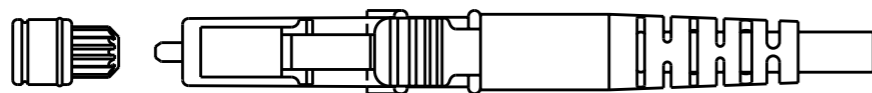
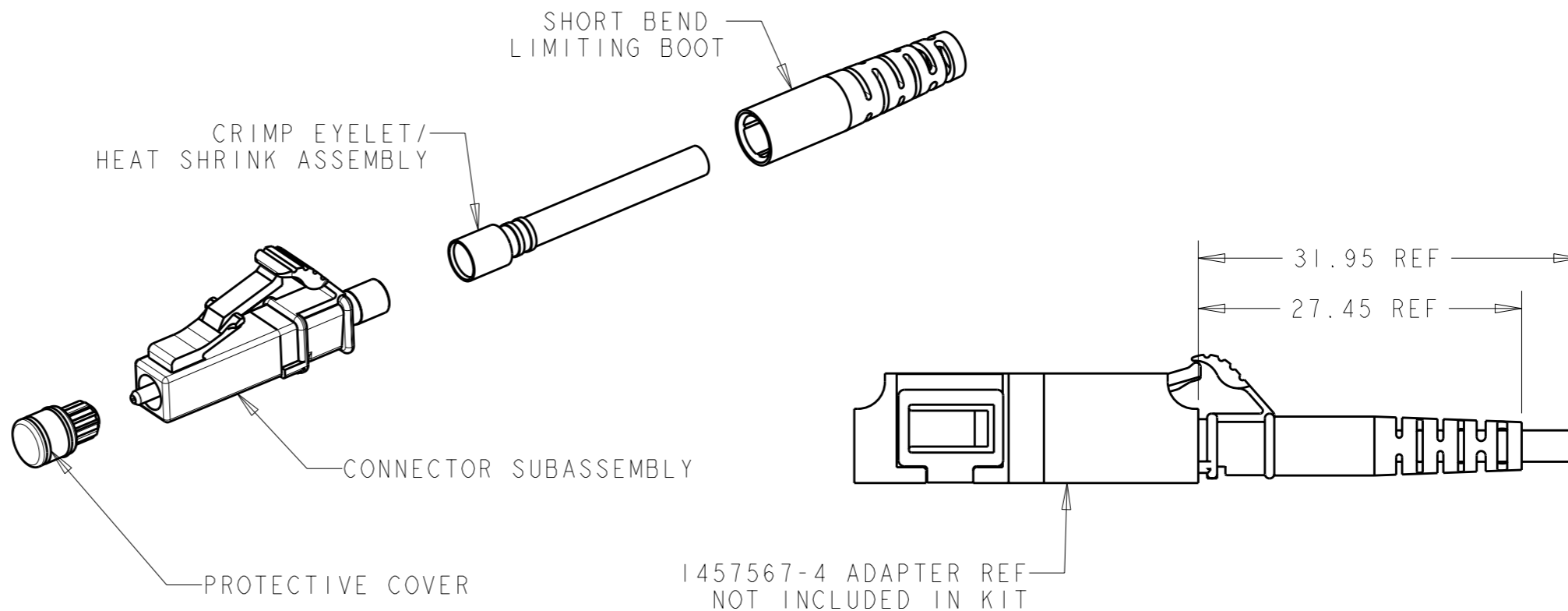
© COPYRIGHT - BY TYCO ELECTRONICS CORPORATION. ALL INTERNATIONAL RIGHTS RESERVED.

LOC	DIST	REVISIONS				
P	LTR	DESCRIPTION	DATE	DWN	APVD	
HG	-	A	REVISE PER ECR-08-003533	12FEB2008	BB	CB
		B	REV PER ECR-10-009660	21JUN2010	IL	CT

1 MATERIAL: PROTECTIVE COVER - TPE, COLOR: BLACK, UL 94 V-0*
 FERRULE SUBASSEMBLY - ZIRCONIA/METAL.
 COMPRESSION SPRING - STAINLESS STEEL.
 HOUSING - PEI, COLOR: BLUE, UL 94 V-0*
 INNER TUBING - PTFE, COLOR: CLEAR, UL VW-1.
 REAR BODY - METAL
 BOOT - PP, COLOR: BLUE, UL 94 V-0*
 CRIMP EYELET/HEATSHRINK ASSY - ALUM. ALLOY/POLYOLEFIN, UL VW-1
 *RATED AT QUALIFYING THICKNESS

2 BULK PACKAGED.

3. INSTRUCTION SHEET: 408-8675.



2	1918407-2
	1918407-1
	PART NUMBER

<small>THIS DRAWING IS A CONTROLLED DOCUMENT FOR TYCO ELECTRONICS CORPORATION IT IS SUBJECT TO CHANGE AND THE CONTROLLING ENGINEERING ORGANIZATION SHOULD BE CONTACTED FOR THE LATEST REVISION.</small>		DWN B. BRIGGS 12FEB2008 CHK C. BENNETT 12FEB2008 APVD S. BUCHTER 12FEB2008		Tyco Electronics Corporation Shanghai, China	
DIMENSIONS: mm		TOLERANCES UNLESS OTHERWISE SPECIFIED: 0 PLC ±- 1 PLC ±0.5 2 PLC ±0.13 3 PLC ±0.013 4 PLC ±0.0001 ANGLES ±-		NAME KIT, CONNECTOR, LC, SHORT BOOT, SIMPLEX, SM, 2.0mm JACKET	
MATERIAL - 1		FINISH -		PRODUCT SPEC - APPLICATION SPEC - WEIGHT -	
CUSTOMER DRAWING				SIZE A3	CAGE CODE - DRAWING NO C-1918407
SCALE 2:1				SHEET 1 OF 1	RESTRICTED TO - REV B