

4

3

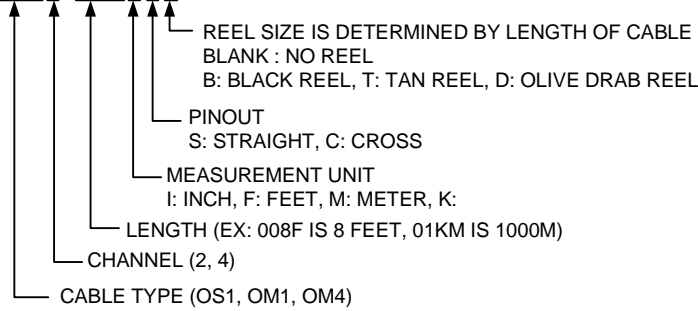
2

1

NOTES:

1) PART NUMBER DEFINITION:

A2-1AAAB-XXXYPZ



2) KITTING REQUIREMENT:

- a. CUT CABLE TO MAX OVERALL LENGTH (LENGTH + TOLERANCE).
- b. TOLERANCE SHALL BE:

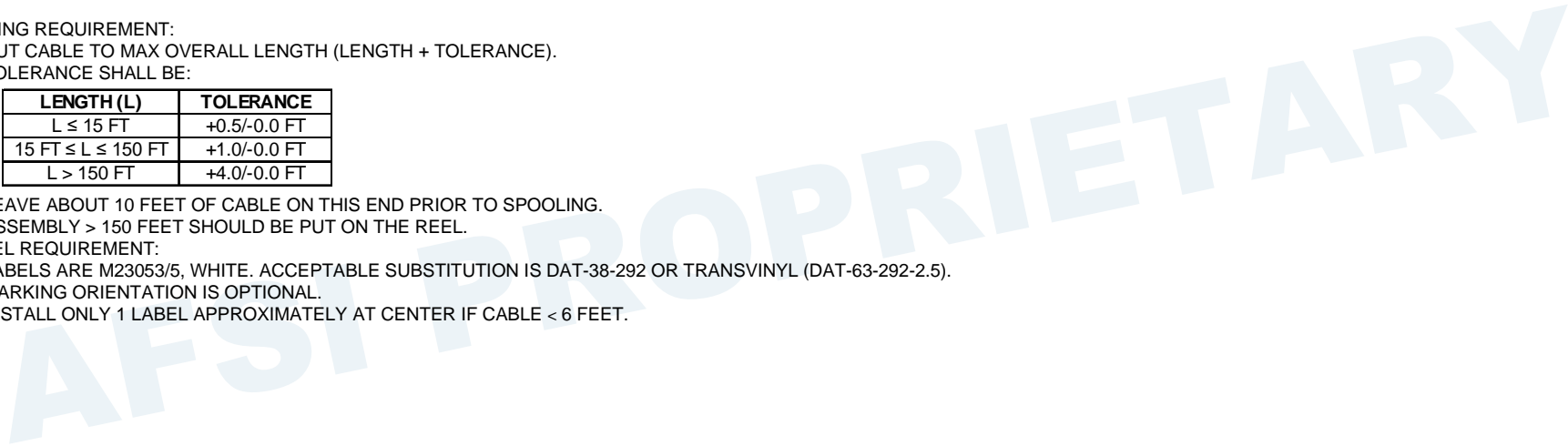
LENGTH (L)	TOLERANCE
L ≤ 15 FT	+0.5/-0.0 FT
15 FT ≤ L ≤ 150 FT	+1.0/-0.0 FT
L > 150 FT	+4.0/-0.0 FT

- c. LEAVE ABOUT 10 FEET OF CABLE ON THIS END PRIOR TO SPOOLING.
- d. ASSEMBLY > 150 FEET SHOULD BE PUT ON THE REEL.

3) LABEL REQUIREMENT:

- a. LABELS ARE M23053/5, WHITE. ACCEPTABLE SUBSTITUTION IS DAT-38-292 OR TRANSVINYL (DAT-63-292-2.5).
- b. MARKING ORIENTATION IS OPTIONAL.
- c. INSTALL ONLY 1 LABEL APPROXIMATELY AT CENTER IF CABLE < 6 FEET.

REVISION HISTORY - ALL SHEETS ARE AT THE SAME REVISION			
REV	DESCRIPTION	DATE	APPROVED
-	INITIAL RELEASE	2021/10/05	



D

D

C

C

B

B

A

A

4

3

2

1

		MATERIAL:	DFTR/Designer: C. Hoang 2021/05/13	
			Check By: S. McEwan 2021/05/21	
			Manufacturing: L. Dillman 2021/10/05	
			Market Manager/PLM: M. Beard 2021/10/01	
		DRILLED HOLE DIAMETER TOLERANCE	Configuration Management: E. Escobedo 2021/10/05	TITLE: TFOCA-II PLUG TO PLUG ASSEMBLY
		<small>DO NOT SCALE DRAWING UNLESS OTHERWISE SPECIFIED DIMENSIONS ARE IN INCHES TOL ON ANGLES 30° 1 PL ±.1 2 PL ±.02 3 PL ±.010 INTERPRET DIM AND TOL PER ASME 14.5M-1994</small>	<small>This Document contains proprietary information and such information is prohibited from disclosure to others, publication or duplication in whole or in part without written permission from Amphenol Fiber Systems International. Copyright © 2021 Amphenol Fiber Systems International. Non-published work. All rights reserved.</small>	SIZE A
NEXT ASSY	USED ON			CAGE CODE 0YPM2
APPLICATION				DWG NO A2-1AAAB-XXXYPZ
				REV -
				SCALE: NONE
				SHEET 1 OF 3

D

D

C

C

B

B

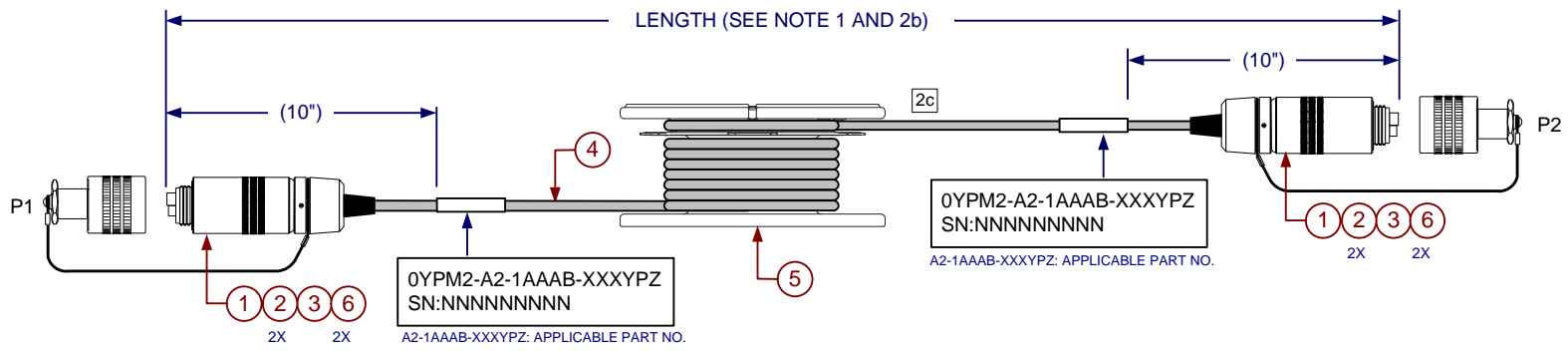
A

A

* BLANK* NO REEL

Z (REEL)	B=2 (FIGURE 1)	B=4 (FIGURE 2)	AAA (CABLE TYPE)	ITEM NO.	PART NO.	DESCRIPTION
QTY/LENGTH						
	4	0	OS1, OM1, OM4	6	MTFP0000	TERMINUS, TFOCA-II DUMMY
D	1		OS1, OM1, OM4	5	A RES-XXXX-D2	ARES REEL, OLIVE DRAB, NO HANDLE
T					A RES-XXXX-T2	ARES REEL, TAN, NO HANDLE
B					A RES-XXXX-B2	ARES REEL, BLACK, NO HANDLE
	SEE NOTE 1 & NOTE 2		OM4	4	WTJO-0400	CABLE, 4 FIBER DISTRIBUTION, 50/125, OM4 , 5.5mm OD
			OM4		WTJO-0200	CABLE, 2 FIBER DISTRIBUTION, 50/125, OM4 , 5.5mm OD
			OM1		WTUO-0400	CABLE, 4 FIBER 62.5/125 TACTICAL DISTRIBUTION
			OM1		WMUO-0400 (ALT)	CABLE, 4 FIBER , MILITARY, DIST. 62.5/125
			OM1		WTUO-0200	CABLE, 2 FIBER 62.5/125 TACTICAL DISTRIBUTION
			OM1		WMUO-0200 (ALT)	CABLE, 2 FIBER, MILITARY, DIST. 62.5/125
			OS1		WTTO-0400	4 FIBER CABLE, 9/125 TACTICAL DISTRIBUTION
			OS1		WMTO-0400 (ALT)	4 FIBER CABLE, MILITARY, DIST. SM
			OS1		WMTO-0400-RH (ALT)	4 FIBER CABLE, MILITARY, DIST. SM RADIATION HARDENED
			OS1		WTTO-0200	2 FIBER CABLE, 9/125 TACTICAL DISTRIBUTION
			OS1		WMTO-0200 (ALT)	2 FIBER CABLE, MILITARY, DIST. SM
			OS1		WMTO-0200-RH (ALT)	2 FIBER CABLE, MILITARY, DIST. SM RADIATION HARDENED
	2	4	OS1	3	MTFP1175	ALIGNMENT SLEEVE, TFOCA-II, SM
	2	4	OM1, OM4		MTFP1150	ALIGNMENT SLEEVE, SOLID (UNSPLIT) TFOCA-II
	4	8	OS1	2	MTFP1100	TFOCA-II PIN TERMINI, SM
	4	8	OM1, OM4		MTFP1000	TFOCA-II PIN TERMINI, MM
	2	2	OS1, OM1, OM4	1	FS4H1000-2A1H1	PLUG, HERM,4 CH, ZN-NI,KEY 1 .190-.239,HERM DUST CAP,H BOOT

SIZE A	CAGE CODE 0YPM2	DWG NO A2-1AAAB-XXXYPZ	REV -
SCALE: NONE		SHEET 2	



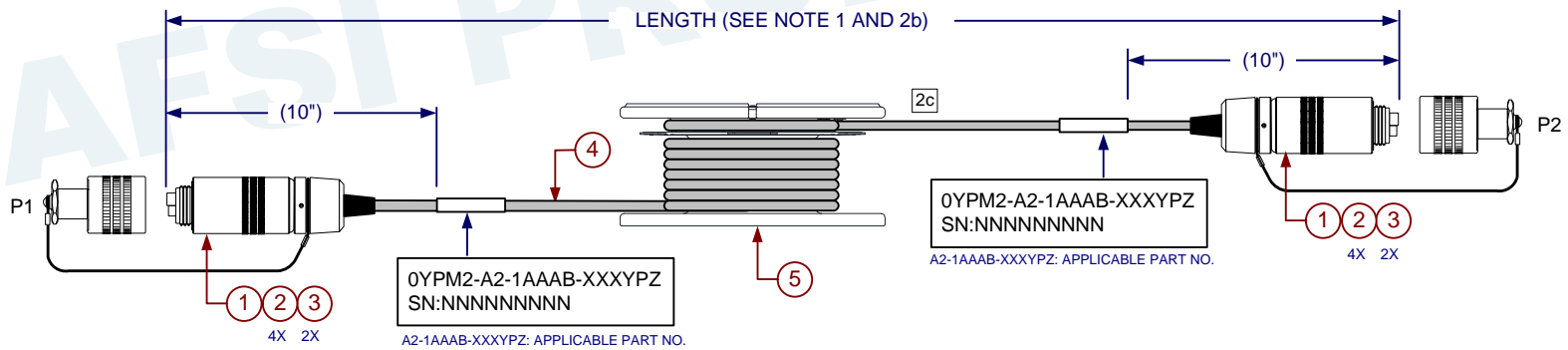
P1	PINOUT DIAGRAM	P2
S1	● BLUE ●	S1
P1	● ORANGE ●	P1
S2	● DUMMIES ●	S2
P2	● DUMMIES ●	P2

STRAIGHT PINOUT
P = "S"
(SEE NOTE 1)

P1	PINOUT DIAGRAM	P2
S1	● BLUE ●	P1
P1	● ORANGE ●	S1
S2	● DUMMIES ●	S2
P2	● DUMMIES ●	P2

CROSS PINOUT
P = "C"
(SEE NOTE 1)

FIGURE 1: 2 CHANNEL



P1	PINOUT DIAGRAM	P2
S1	● BLUE ●	S1
P1	● ORANGE ●	P1
S2	● GREEN ●	S2
P2	● BROWN ●	P2

STRAIGHT PINOUT
P = "S"
(SEE NOTE 1)

P1	PINOUT DIAGRAM	P2
S1	● BLUE ●	P1
P1	● ORANGE ●	S1
S2	● GREEN ●	P2
P2	● BROWN ●	S2

CROSS PINOUT
P = "C"
(SEE NOTE 1)

FIGURE 2: 4 CHANNEL

SIZE A	CAGE CODE 0YPM2	DWG NO A2-1AAAB-XXXYPZ	REV -
SCALE: NONE		SHEET 3	