

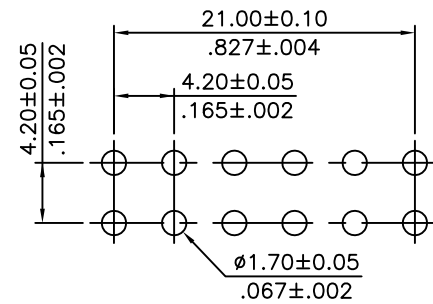
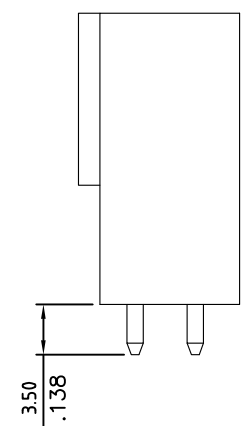
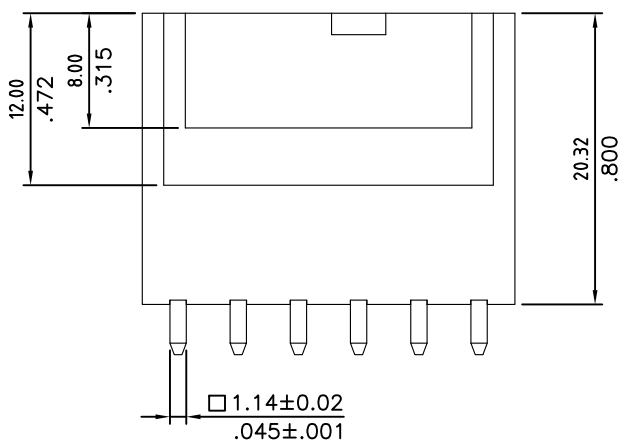
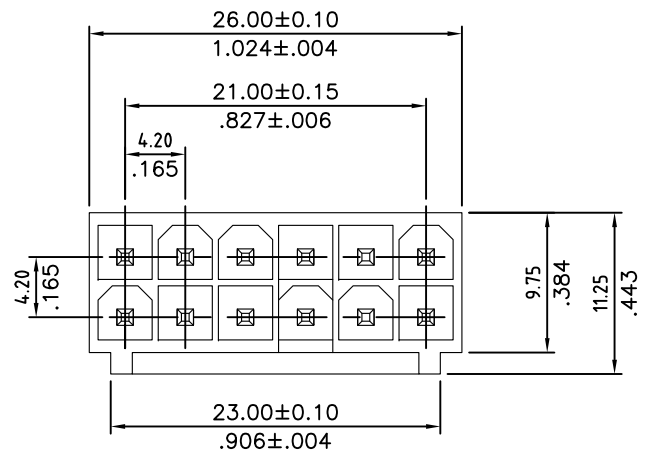
SIGN	DATE	DESCRIPTION	APPROVER

THIS IS CAD DRAWING, DO NOT REVISE MANUALLY!!!

Material

Body: PA 66 (Grilon AS V0)
 Color: Natural
 Plating: Tin plated over Nickel
 Contact: Brass

RoHS Compliant



Recommended P.C. Board Layout



THESE DRAWINGS AND SPECIFICATIONS ARE THE PROPERTY OF ON-SHORE TECHNOLOGY, INC. AND SHALL NOT BE REPRODUCED, COPIED OR USED IN ANY MANNER WITHOUT THE PRIOR WRITTEN CONSENT OF ON-SHORE TECHNOLOGY, INC.

TITLE	420B2V - 4.2mm dual row housing, vertical, board side, 12 circuits, first mate/last break						
PART NO.	420B2V12FL0			DWG NO.	420B2V12FL0.DWG		
APPROVED	CHECKED	DESIGNED	DRAWN	4050			Tolerance
David 2016.04.13	Eisley 2016.04.13	Eisley 2016.04.13	Hank 2016.04.13				UNIT: mm/in SCALE: NONE X.X ±0.30/.012 X.XX ±0.20/.008 X.XXX ±0.10/.004 X* ±1°
				SHEET: 01/01	REV: A		