

MPS ARCA 4030



Sample image

Order symbol: MPS ARCA 4030

Product nbr: 8120733

Description: Mounting plate (350x250x2 mm)

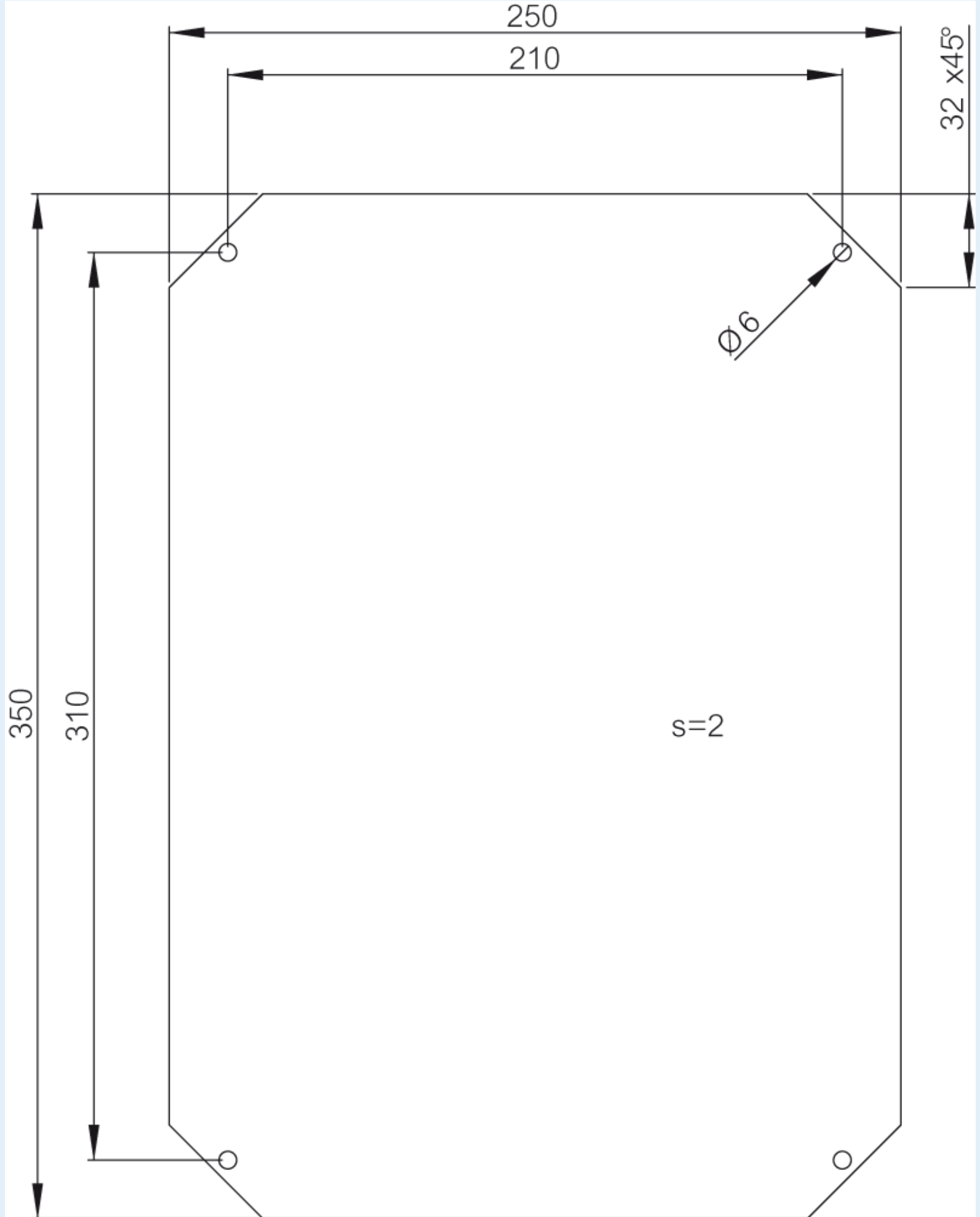
Remarks: Galvanized steel. for sizes 400x300x150/210

EAN: 6418074082565

Including:

El. number:

- Finland: 3423808
- Denmark: 8212094411
- Sweden: 2500184



Dimensions:

	Height	Width	Depth
mm:	350	250	2
inch:	13.78	9.84	0.08

Materials:

Material:

Base colour:

Cover colour:

Gasket material:

Temperatures:

Temperature °C (short term)::

Temperature °C (continuous):

Temperature °F (short term):

Temperature °F (continuous):

Rating:

Ingress protection (EN 60529):

Impact Resistance (EN 62262):

Electrical insulation:

Not insulated

Halogen free (DIN/VDE 0472, Part 815):

0

UV resistance:

-

Flammability Rating:

Glow Wire Test (IEC 695-2-1) °C:

C

NEMA Class

Certificates: