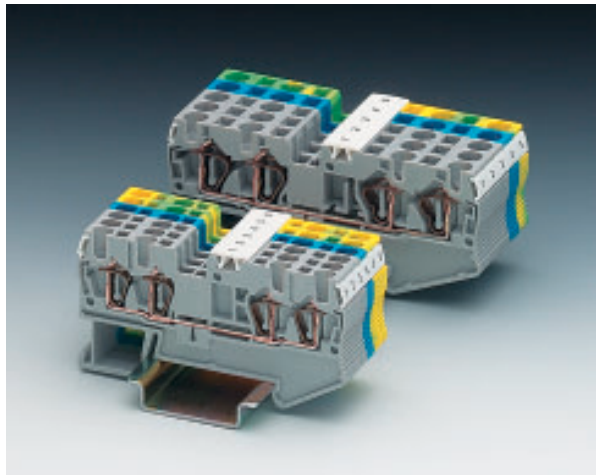


## Four-Conductor Spring Cage Terminal Blocks ST ...-QUATTRO

---

The double connection of ST...-QUATTRO allows four conductors to be connected on one potential. The QUATTRO variants can therefore be used as compact power distributors.

The FBS plug-in bridge system allows bridging any number of terminal blocks and thus achieves further power distribution.



# Four-Conductor Spring Cage Terminal Block

## ST 1,5-QUATTRO



(IEC) [mm <sup>2</sup> ]	rigid solid	flexible stranded	AWG	I [A]	U [V]
IEC 60 947-7-1	0.08-1.5	0.08-1.5	28-16	17.5*	500
EN 50 019**	0.08-1.5	0.08-1.5	28-16	17.5*	420

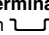



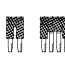




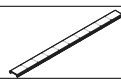

\*\* EU certificate of design approval no.: KEMA 00ATEX2129U 1)

1) For installation notes and the use of accessories for EEx e applications see Catalog CLIPLINE.

\* The max. load current must not be exceeded by the total current of all connected conductors.

UL US CE KEMA

### Technical data

<b>Spring cage terminal block</b> , for mounting on 	gray blue	terminal width 4.2 terminal width 4.2	
(1) <b>End cover</b>	gray		
(2) <b>Segment cover</b> , for covering projecting terminal segments	gray		
(3) <b>Insulating stop sleeve</b> , prevents unintentional clamping of the insulation in the case of smaller cross sections Cross section range:	0.08-0.2 mm <sup>2</sup> 0.25-0.5 mm <sup>2</sup>	white gray	
(4) <b>Plug-in bridge</b> , for cross-connections in the terminal center	2-pos. 3-pos. 4-pos. 5-pos. 10-pos. 20-pos.		
(5) <b>Partition plate</b> , for visual and electrical separation of terminal groups, 2 mm thick			
(6) <b>Test adapter</b> , for 4 mm Ø test connector PS and 4 mm Ø safety test connectors, making contact in the bridge shaft			
(7) <b>Warning cover</b> , for the operating shafts of the "mini-spring" ST spring cage terminal blocks			
(8) <b>Screwdriver</b> , for actuating the tension spring			
(9) <b>Zack marker sheet</b> , flat, 100-section, for labeling the outer marker grooves	white		
(10) <b>Zack strip</b> , 10-section, for labeling in the terminal center and on the plug-in bridges	white		
<b>Dimensions</b>			
Width / length / end cover width	[mm]		
Height (NS 35/7.5 / NS 35/15)	[mm]		
<b>Technical data in accordance with IEC/ DIN VDE</b>			
Maximum load current/ cross section	[A] / [mm <sup>2</sup> ]		
Rated surge voltage / contamination class	[kV] / -		
Surge voltage category / insulation material group	- / -		
<b>Capacity connection</b>			
Stranded with ferrule with plastic sleeve	[mm <sup>2</sup> ]		
Stranded with ferrule without plastic sleeve	[mm <sup>2</sup> ]		
Stranded with TWIN ferrule with plastic sleeve	[mm <sup>2</sup> ]		
<b>Stripping length</b>	[mm]		
<b>Internal cylindrical gauge (IEC 60 947-1)</b>			
<b>Insulating material</b>			
Inflammability class in acc. with UL 94			
<b>Approval data (UL and CSA/CUL)</b>			
Nom. voltage / nom. current / conduc. sizes	UL: [V] / [A] / AWG		
	CSA/CUL: [V] / [A] / AWG		

Type	Order No.	Pcs. Pkt.
<b>ST 1,5-QUATTRO</b>	<b>30 31 18 6</b>	<b>50</b>
<b>ST 1,5-QUATTRO BU</b>	<b>30 31 19 9</b>	<b>50</b>
<b>D-ST 2,5-QUATTRO</b>	<b>30 30 51 4</b>	<b>50</b>
<b>DS-ST 2,5</b>	<b>30 36 60 2</b>	<b>10</b>
<b>ISH 1,5/0,2</b>	<b>32 06 13 1</b>	<b>50</b>
<b>ISH 1,5/0,5</b>	<b>30 31 03 4</b>	<b>50</b>
<b>FBS 2-4</b>	$I_{max}: 17.5 A$	<b>50</b>
<b>FBS 3-4</b>	17.5 A	<b>50</b>
<b>FBS 4-4</b>	17.5 A	<b>50</b>
<b>FBS 5-4</b>	17.5 A	<b>50</b>
<b>FBS 10-4</b>	17.5 A	<b>10</b>
<b>FBS 20-4</b>	17.5 A	<b>10</b>
<b>ATP ST-QUATTRO</b>	<b>30 30 81 5</b>	<b>50</b>
<b>PAI 4</b>	<b>30 30 92 5</b>	<b>10</b>
<b>WST 1,5</b>	<b>30 30 95 8</b>	<b>50</b>
<b>SZF 0 - 0,4 x 2,5</b>	<b>12 04 50 4</b>	<b>10</b>
<b>ZBF 4:UNPRINTED</b>	<b>08 08 58 7</b>	<b>10</b>
<b>ZB 4:UNPRINTED</b>	<b>08 05 00 1</b>	<b>10</b>

4.2 / 72 / 2.2

36.5 / 44

17.5 / 1.5

6 / 3

III / I

0.25 - 1.5

0.25 - 1.5

0.5

10

A 1

PA

V0

-

-

# Four-Conductor Spring Cage Ground Terminal Block

## ST 1,5-QUATTRO-PE



(IEC) [mm <sup>2</sup> ]	rigid solid	flexible stranded	AWG
IEC 60 947-7-2	0.08-1.5	0.08-1.5	28-16
EN 50 019*	0.08-1,5	0.08-1.5	28-16

\* EU certificate of design approval no.: KEMA 00ATEX2129U 1)

1) For installation notes and the use of accessories for EEx e applications see Catalog CLIPLINE.

The current carrying capacity of the mounting rails should be observed.

KEMA

### Technical data

**Spring cage ground terminal block,**  
for mounting on green-yellow terminal width 4.2

(1) <b>End cover</b>	gray	
(2) <b>Segment cover</b> , for covering projecting terminal segments	gray	
(3) <b>Insulating stop sleeve</b> , prevents unintentional clamping of the insulation in the case of smaller cross sections Cross section range:	0.08-0.2 mm <sup>2</sup> 0.25-0.5 mm <sup>2</sup>	white gray 
(4) <b>Screwdriver</b> , for actuating the tension spring		
(5) <b>Zack strip</b> , flat, for labeling the outer marker grooves	white	
(6) <b>Zack strip</b> , 10-section, for labeling in the terminal center and on the plug-in bridges	white	

### Dimensions

Width / length / end cover width	[mm]
Height (NS 35/7.5 / NS 35/15)	[mm]

### Technical data in accordance with IEC/ DIN VDE

Maximum load current/ cross section	[A] / [mm <sup>2</sup> ]
Rated surge voltage / contamination class	[kV] / -
Surge voltage category / insulation material group	- / -

### Capacity connection

Stranded with ferrule with plastic sleeve	[mm <sup>2</sup> ]
Stranded with ferrule without plastic sleeve	[mm <sup>2</sup> ]
Stranded with TWIN ferrule with plastic sleeve	[mm <sup>2</sup> ]

### Stripping length

	[mm]
--	------

### Internal cylindrical gauge (IEC 60 947-1)

### Insulating material

Inflammability class in acc. with UL 94	
---	--

### Approval data (UL and CSA/CUL)

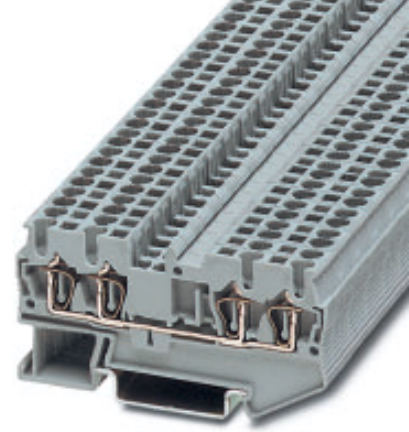
Nom. voltage / nom. current / conduc. sizes	UL: [V] / [A] / AWG
	CSA/CUL: [V] / [A] / AWG

Type	Order No.	Pcs. Pkt.
ST 1,5-QUATTRO-PE	30 31 20 9	50
D-ST 2,5-QUATTRO	30 30 51 4	50
DS-ST 2,5	30 36 60 2	10
ISH 1,5/0,2	32 06 13 1	50
ISH 1,5/0,5	30 31 03 4	50
SZF 0 - 0,4 x 2,5	12 04 50 4	10
ZBF 4:UNPRINTED	08 08 58 7	10
ZB 4:UNPRINTED	08 05 00 1	10

	4.2 / 72 / 2.2
	36.5 / 44
	-
	6 / 3
	III / I
	0.25 - 1.5
	0.25 - 1.5
	0.5
	10
	A 1
	PA
	V0
	-
	-

# Four-Conductor Spring Cage Terminal Block

## ST 2,5-QUATTRO



(IEC) [mm <sup>2</sup> ]	rigid solid	flexible stranded	AWG	I [A]	U [V]
IEC 60 947-7-1	0.08-4	0.08-2.5	28-12	28*	800
EN 50 019**	0.08-4	0.08-2.5	28-12	24/21*	550

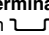



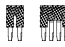




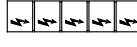
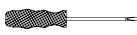


\*\* EU certificate of design approval no.: KEMA 00ATEX2052U 1)

1) For installation notes and the use of accessories for EEx e applications see Catalog CLIPLINE.

\* The max. load current must not be exceeded by the total current of all connected conductors.

UL US CE KEMA

### Technical data

Spring cage terminal block, for mounting on 	gray blue	terminal width 5.2 terminal width 5.2
(1) End cover	gray	
(2) Segment cover, for covering projecting terminal segments	gray	
(3) Insulating stop sleeve, prevents unintentional clamping of the insulation in the case of smaller cross sections Cross section range:	white gray black	
	0.08-0.2 mm <sup>2</sup> 0.25-0.5 mm <sup>2</sup> 0.75-1 mm <sup>2</sup>	
(4) Plug-in bridge, for cross-connections in the terminal center	2-pos. 3-pos. 4-pos. 5-pos. 10-pos. 20-pos.	
(5) Partition plate, for visual and electrical separation of terminal groups, 2 mm thick		
(6) Test adapter, for 4 mm Ø test connector PS and 4 mm Ø safety test connectors, making contact in the bridge shaft		
(7) 2.3 mm Ø test connector 1), consisting of metal part and red insulating sleeve		
(8) Reducing plug		
(9) Warning cover, for the operating shafts of the "mini-spring" ST spring cage terminal blocks		
(10) Screwdriver, for actuating the tension spring		
(11) Zack strip, flat, for labeling the outer marker grooves	white	
(12) Zack strip, 10-section, for labeling in the terminal center and on the plug-in bridges	white	

### Dimensions

Width / length / end cover width	[mm]	5.2 / 72 / 2.2
Height (NS 35/7.5 / NS 35/15)	[mm]	36.5 / 44

### Technical data in accordance with IEC/ DIN VDE

Maximum load current/ cross section	[A] / [mm <sup>2</sup> ]	28 / 4
Rated surge voltage / contamination class	[kV] / -	8 / 3
Surge voltage category / insulation material group	- / -	III / I

### Capacity connection

Stranded with ferrule with plastic sleeve	[mm <sup>2</sup> ]	0.25 - 2.5
Stranded with ferrule without plastic sleeve	[mm <sup>2</sup> ]	0.25 - 2.5
Stranded with TWIN ferrule with plastic sleeve	[mm <sup>2</sup> ]	0.5
Stripping length	[mm]	10

### Internal cylindrical gauge (IEC 60 947-1)

Insulating material		A 3
Inflammability class in acc. with UL 94		PA
		V0

### Approval data (UL and CSA/CUL)

Nom. voltage / nom. current / conduc. sizes	UL: [V] / [A] / AWG	600 / 20 / 26 - 12
	CSA/CUL: [V] / [A] / AWG	600 / 20 / 26 - 12

Type	Order No.	Pcs. Pkt.
ST 2,5-QUATTRO	30 31 30 6	50
ST 2,5-QUATTRO BU	30 31 31 9	50
D-ST 2,5-QUATTRO	30 30 51 4	50
DS-ST 2,5	30 36 60 2	10
ISH 2,5/0,2	30 02 84 3	50
ISH 2,5/0,5	30 02 85 6	50
ISH 2,5/1	30 02 86 9	50
FBS 2-5	$I_{max}$ : 24 A	50
FBS 3-5	24 A	50
FBS 4-5	24 A	50
FBS 5-5	24 A	50
FBS 10-5	24 A	10
FBS 20-5	24 A	10
ATP ST-QUATTRO	30 30 81 5	50
PAI 4	30 30 92 5	10
MPS-RD	02 01 55 3	10
RPS	02 01 64 7	10
WST 2,5	30 30 94 1	50
SZF 1 - 0,6 x 3,5	12 04 51 7	10
ZBF 5:UNPRINTED	08 08 64 2	10
ZB 5:UNPRINTED	10 50 00 4	10

1) Further colors are available on request.

# Four-Conductor Spring Cage Ground Terminal Block

## ST 2,5-QUATTRO-PE



(IEC) [mm <sup>2</sup> ]	rigid solid	flexible stranded	AWG
IEC 60 947-7-2	0.08-4	0.08-2.5	28-12
EN 50 019*	0.08-4	0.08-2.5	28-12

\* EU certificate of design approval no.: KEMA 00ATEX2052U 1)

1) For installation notes and the use of accessories for EEx e applications see Catalog CLIPLINE.

The current carrying capacity of the mounting rails should be observed.

KEMA

### Technical data

Spring cage ground terminal block, for mounting on  green-yellow terminal width 5.2							
(1) End cover	gray						
(2) Segment cover, for covering projecting terminal segments	gray						
(3) Insulating stop sleeve, prevents unintentional clamping of the insulation in the case of smaller cross sections Cross section range:	<table border="0"> <tr> <td>0.08-0.2 mm<sup>2</sup></td> <td>white</td> </tr> <tr> <td>0.25-0.5 mm<sup>2</sup></td> <td>gray</td> </tr> <tr> <td>0.75-1 mm<sup>2</sup></td> <td>black</td> </tr> </table>	0.08-0.2 mm <sup>2</sup>	white	0.25-0.5 mm <sup>2</sup>	gray	0.75-1 mm <sup>2</sup>	black
0.08-0.2 mm <sup>2</sup>	white						
0.25-0.5 mm <sup>2</sup>	gray						
0.75-1 mm <sup>2</sup>	black						
(4) Screwdriver, for actuating the tension spring							
(5) Zack strip, flat, for labeling the outer marker grooves	white						
(6) Zack strip, 10-section, for labeling in the terminal center and on the plug-in bridges	white						
<b>Dimensions</b>							
Width / length / end cover width	[mm]						
Height (NS 35/7.5 / NS 35/15)	[mm]						
<b>Technical data in accordance with IEC/ DIN VDE</b>							
Maximum load current/ cross section	[A] / [mm <sup>2</sup> ]						
Rated surge voltage / contamination class	[kV] / -						
Surge voltage category / insulation material group	- / -						
<b>Capacity connection</b>							
Stranded with ferrule with plastic sleeve	[mm <sup>2</sup> ]						
Stranded with ferrule without plastic sleeve	[mm <sup>2</sup> ]						
Stranded with TWIN ferrule with plastic sleeve	[mm <sup>2</sup> ]						
<b>Stripping length</b>	[mm]						
<b>Internal cylindrical gauge (IEC 60 947-1)</b>							
<b>Insulating material</b>							
Inflammability class in acc. with UL 94							
<b>Approval data (UL and CSA/CUL)</b>							
Nom. voltage / nom. current / conduc. sizes UL: [V] / [A] / AWG							
CSA/CUL: [V] / [A] / AWG							

Type	Order No.	Pcs. Pkt.
ST 2,5-QUATTRO-PE	30 31 32 2	50
D-ST 2,5-QUATTRO	30 30 51 4	50
DS-ST 2,5	30 36 60 2	10
ISH 2,5/0,2	30 02 84 3	50
ISH 2,5/0,5	30 02 85 6	50
ISH 2,5/1	30 02 86 9	50
SZF 1 - 0,6 x 3,5	12 04 51 7	10
ZBF 5:UNPRINTED	08 08 64 2	10
ZB 5:UNPRINTED	10 50 00 4	10
5.2 / 72 / 2.2		
36.5 / 44		
-		
8 / 3		
III / I		
0.25 - 2.5		
0.25 - 2.5		
0.5		
10		
A 3		
PA		
V0		
- / - / 26 - 12		
- / - / 26 - 12		

# Four-Conductor Spring Cage Terminal Blocks

## ST 4-QUATTRO



(IEC) [mm <sup>2</sup> ]	rigid solid	flexible stranded	AWG	I [A]	U [V]
IEC 60 947-7-1	0.08-6	0.08-4	28-10	40*	800
EN 50 019**	0.08-6	0.08-4	28-10	34/25*	550

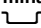



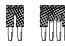


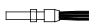




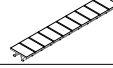
\*\* EU certificate of design approval no.: KEMA 00ATEX2129U 1)

1) For installation notes and the use of accessories for EEx e applications see Catalog CLIPLINE.

\* The max. load current must not be exceeded by the total current of all connected conductors.

UL 105 CE KEMA

### Technical data

Spring cage terminal block, for mounting on 		gray	terminal width 6.2
		blue	terminal width 6.2
(1) End cover		gray	
(2) Segment cover, for covering projecting terminal segments		gray	
(3) Insulating stop sleeve, prevents unintentional clamping of the insulation in the case of smaller cross sections			
Cross section range:		0.25-0.5 mm <sup>2</sup>	gray
		0.75-1 mm <sup>2</sup>	black
(4) Plug-in bridge, for cross-connections in the terminal center		2-pos. 3-pos. 4-pos. 5-pos. 10-pos. 20-pos.	
(5) Partition plate, for visual and electrical separation of terminal groups, 2 mm thick			
(6) Test adapter, for 4 mm Ø test connector PS and 4 mm Ø safety test connectors, making contact in the bridge shaft			
(7) 2.3 mm Ø test connector 1), consisting of metal part and red insulating sleeve			
(8) Reducing plug			
(9) Warning cover, for the operating shafts of the "mini-spring" ST spring cage terminal blocks			
(10) Screwdriver, for actuating the tension spring			
(11) Zack strip, flat, for labeling the outer marker grooves		white	
(12) Zack strip, 10-section, for labeling in the terminal center and on the plug-in bridges		white	
<b>Dimensions</b>			
Width / length / end cover width			[mm]
Height (NS 35/7.5 / NS 35/15)			[mm]
<b>Technical data in accordance with IEC/ DIN VDE</b>			
Maximum load current/ cross section			[A] / [mm <sup>2</sup> ]
Rated surge voltage / contamination class			[kV] / -
Surge voltage category / insulation material group			- / -
<b>Capacity connection</b>			
Stranded with ferrule with plastic sleeve			[mm <sup>2</sup> ]
Stranded with ferrule without plastic sleeve			[mm <sup>2</sup> ]
Stranded with TWIN ferrule with plastic sleeve			[mm <sup>2</sup> ]
Stripping length			[mm]
<b>Internal cylindrical gauge (IEC 60 947-1)</b>			
<b>Insulating material</b>			
Inflammability class in acc. with UL 94			
<b>Approval data (UL and CSA/CUL)</b>			
Nom. voltage / nom. current / conduc. sizes UL: [V] / [A] / AWG			
CSA/CUL: [V] / [A] / AWG			

Type	Order No.	Pcs. Pkt.
ST 4-QUATTRO	30 31 44 5	50
ST 4-QUATTRO BU	30 31 45 8	50
D-ST 4-QUATTRO	30 30 52 7	50
DS-ST 4	30 36 61 5	10
ISH 4/0,5	30 02 88 5	50
ISH 4/1	30 02 89 8	50
FBS 2-6	$I_{max}$ : 32 A	30 30 33 6
FBS 3-6	32 A	30 30 24 2
FBS 4-6	32 A	30 30 25 5
FBS 5-6	32 A	30 30 34 9
FBS 10-6	32 A	30 30 27 1
FBS 20-6	32 A	30 30 36 5
ATP ST-QUATTRO	30 30 81 5	50
PAI 4	30 30 92 5	10
MPS-RD	02 01 55 3	10
RPS	02 01 64 7	10
WST 4	30 30 95 4	50
SZF 1 - 0,6 x 3,5	12 04 51 7	10
ZBF 6:UNPRINTED	08 08 71 0	10
ZB 6:UNPRINTED	10 51 00 3	10
	6.2 / 87 / 2.2	
	36.5 / 44	
	40 / 6	
	8 / 3	
	III / I	
	0.25 - 4	
	0.25 - 4	
	0.5 - 1	
	10	
	A 4	
	PA	
	V0	
	-	
	-	

1) Further colors are available on request.

# Four-Conductor Spring Cage Ground Terminal Block

## ST 4-QUATTRO-PE



(IEC) [mm <sup>2</sup> ]	rigid solid	flexible stranded	AWG
IEC 60 947-7-2	0,08-6	0,08-4	28-10
EN 50 019*	0,08-6	0,08-4	28-10

\* EU certificate of design approval no.: KEMA 00ATEX2129U 1)

1) For installation notes and the use of accessories for EEx e applications see Catalog CLIPLINE.

The current carrying capacity of the mounting rails should be observed.

KEMA

### Technical data

Spring cage ground terminal block, for mounting on  green-yellow terminal width 6.2		
(1) End cover	gray	
(2) Segment cover, for covering projecting terminal segments	gray	
(3) Insulating stop sleeve, prevents unintentional clamping of the insulation in the case of smaller cross sections Cross section range:	0.25-0.5 mm <sup>2</sup> 0.75-1 mm <sup>2</sup>	gray black 
(4) Screwdriver, for actuating the tension spring		
(5) Zack strip, flat, for labeling the outer marker grooves	white	
(6) Zack strip, 10-section, for labeling in the terminal center and on the plug-in bridges	white	

### Dimensions

Width / length / end cover width	[mm]	6.2 / 87 / 2.2
Height (NS 35/7.5 / NS 35/15)	[mm]	36.5 / 44

### Technical data in accordance with IEC/ DIN VDE

Maximum load current/ cross section	[A] / [mm <sup>2</sup> ]	–
Rated surge voltage / contamination class	[kV] / –	8 / 3
Surge voltage category / insulation material group	– / –	III / I

### Capacity connection

Stranded with ferrule with plastic sleeve	[mm <sup>2</sup> ]	0.25 - 4
Stranded with ferrule without plastic sleeve	[mm <sup>2</sup> ]	0.25 - 4
Stranded with TWIN ferrule with plastic sleeve	[mm <sup>2</sup> ]	0.5 - 1

### Stripping length

	[mm]	10
--	------	----

### Internal cylindrical gauge (IEC 60 947-1)

		A 3
--	--	-----

### Insulating material

Inflammability class in acc. with UL 94		PA
---	--	----

### Approval data (UL and CSA/CUL)

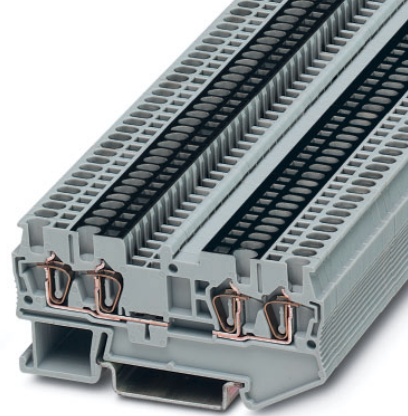
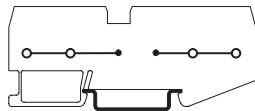
Nom. voltage / nom. current / conduc. sizes	UL: [V] / [A] / AWG	–
	CSA/CUL: [V] / [A] / AWG	–

Type	Order No.	Pcs. Pkt.
ST 4-QUATTRO-PE	30 31 46 1	50
D-ST 4-QUATTRO	30 30 52 7	50
DS-ST 4	30 36 61 5	10
ISH 4/0,5	30 02 88 5	50
ISH 4/1	30 02 89 8	50
SZF 1 - 0,6 x 3,5	12 04 51 7	10
ZBF 6:UNPRINTED	08 08 71 0	10
ZB 6:UNPRINTED	10 51 00 3	10

	6.2 / 87 / 2.2	
	36.5 / 44	
	–	
	8 / 3	
	III / I	
	0.25 - 4	
	0.25 - 4	
	0.5 - 1	
	10	
	A 3	
	PA	
	V0	
	–	
	–	

# Four-Conductor Spring Cage Terminal Block

## ST 1,5-QUATTRO-U



(IEC) [mm <sup>2</sup> ]	rigid solid	flexible stranded	AWG	I [A]	U [V]
IEC 60 947-7-1	0.08-1.5	0.08-1.5	28-16	17.5*	500

\* The max. load current must not be exceeded by the total current of all connected conductors.

### Technical data

<b>Spring cage terminal block</b> , for mounting on	gray	terminal width 4.2	
(1) <b>End cover</b>	gray		
(2) <b>Segment cover</b> , for covering projecting terminal segments	gray		
(3) <b>Insulating stop sleeve</b> , prevents unintentional clamping of the insulation in the case of smaller cross sections Cross section range:		0.08-0.2 mm <sup>2</sup> 0.25-0.5 mm <sup>2</sup>	white gray
(4) <b>Plug-in bridge</b> , for cross-connections in the terminal center		2-pos. 3-pos. 4-pos. 5-pos. 10-pos. 20-pos.	
(5) <b>Partition plate</b> , for visual and electrical separation of terminal groups, 2 mm thick			
(6) <b>Test adapter</b> , for 4 mm Ø test connector PS and 4 mm Ø safety test connectors, making contact in the bridge shaft			
(7) <b>2.3 mm Ø test connector</b> <sup>1)</sup> , consisting of metal part and red insulating sleeve			
(8) <b>Reducing plug</b>			
(9) <b>Warning cover</b> , for the operating shafts of the "mini-spring" ST spring cage terminal blocks			
(10) <b>Screwdriver</b> , for actuating the tension spring			
(11) <b>Zack strip</b> , flat, for labeling the outer marker grooves	white		
(12) <b>Zack strip</b> , 10-section, for labeling in the terminal center and on the plug-in bridges	white		

### Dimensions

Width / length / end cover width	[mm]	4.2 / 72 / 2.2
Height (NS 35/7.5 / NS 35/15)	[mm]	36.5 / 44

### Technical data in accordance with IEC/ DIN VDE

Maximum load current/ cross section	[A] / [mm <sup>2</sup> ]	17.5 / 1.5
Rated surge voltage / contamination class	[kV] / -	6 / 3
Surge voltage category / insulation material group	- / -	III / I

### Capacity connection

Stranded with ferrule with plastic sleeve	[mm <sup>2</sup> ]	0.25 - 2.5
Stranded with ferrule without plastic sleeve	[mm <sup>2</sup> ]	0.25 - 2.5
Stranded with TWIN ferrule with plastic sleeve	[mm <sup>2</sup> ]	0.5
<b>Stripping length</b>	[mm]	10

### Internal cylindrical gauge (IEC 60 947-1)

<b>Insulating material</b>		A 1
Inflammability class in acc. with UL 94		PA
		V0

### Approval data (UL and CSA/CUL)

Nom. voltage / nom. current / conduc. sizes	UL: [V] / [A] / AWG	-
	CSA/CUL: [V] / [A] / AWG	-

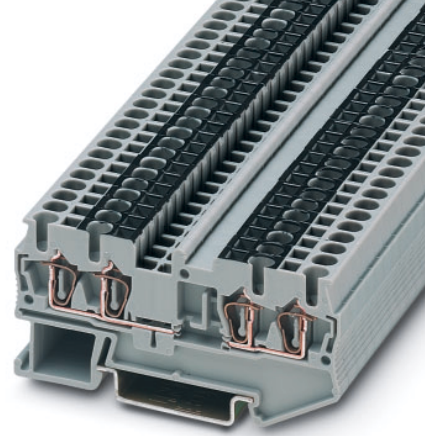
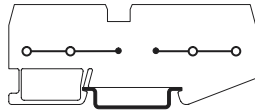
Type	Order No.	Pcs. Pkt.
ST 1,5-QUATTRO-U	30 38 60 0	50
D-ST 2,5-QUATTRO	30 30 51 4	50
DS-ST 2,5	30 36 60 2	10
ISH 2,5/0,2	30 02 84 3	50
ISH 2,5/0,5	30 02 85 6	50
FBS 2-4	I <sub>max</sub> : 17,5 A	30 30 11 6
FBS 3-4		30 30 12 9
FBS 4-4		30 30 13 2
FBS 5-4		30 30 14 5
FBS 10-4		30 30 15 8
FBS 20-4		30 30 35 2
ATP ST-QUATTRO	30 30 81 5	50
PAI 4	30 30 92 5	10
MPS-RD	02 01 55 3	10
RPS	02 01 64 7	10
WST 1,5	30 30 95 8	50
SZF 1 - 0,4 x 2,5	12 04 50 4	10
ZBF 4:UNPRINTED	08 08 58 7	10
ZB 4:UNPRINTED	08 05 00 1	10

<sup>1)</sup> Further colors are available on request.



# Four-Conductor Spring Cage Terminal Block

## ST 2,5-QUATTRO-U



(IEC) [mm <sup>2</sup> ]	rigid solid	flexible stranded	AWG	I [A]	U [V]
IEC 60 947-7-1	0.08-4	0.08-2.5	28-12	28*	800

\* The max. load current must not be exceeded by the total current of all connected conductors.

### Technical data

<b>Spring cage terminal block</b> , for mounting on	gray	terminal width 5.2	
(1) <b>End cover</b>	gray		
(2) <b>Segment cover</b> , for covering projecting terminal segments	gray		
(3) <b>Insulating stop sleeve</b> , prevents unintentional clamping of the insulation in the case of smaller cross sections Cross section range:			
	0.08-0.2 mm <sup>2</sup>	white	
	0.25-0.5 mm <sup>2</sup>	gray	
	0.75-1 mm <sup>2</sup>	black	
(4) <b>Plug-in bridge</b> , for cross-connections in the terminal center		2-pos. 3-pos. 4-pos. 5-pos. 10-pos. 20-pos.	
(5) <b>Partition plate</b> , for visual and electrical separation of terminal groups, 2 mm thick			
(6) <b>Test adapter</b> , for 4 mm Ø test connector PS and 4 mm Ø safety test connectors, making contact in the bridge shaft			
(7) <b>2.3 mm Ø test connector</b> <sup>1)</sup> , consisting of metal part and red insulating sleeve			
(8) <b>Reducing plug</b>			
(9) <b>Warning cover</b> , for the operating shafts of the "mini-spring" ST spring cage terminal blocks			
(10) <b>Screwdriver</b> , for actuating the tension spring			
(11) <b>Zack strip</b> , flat, for labeling the outer marker grooves	white		
(12) <b>Zack strip</b> , 10-section, for labeling in the terminal center and on the plug-in bridges	white		

#### Dimensions

Width / length / end cover width	[mm]	5.2 / 72 / 2.2
Height (NS 35/7.5 / NS 35/15)	[mm]	36.5 / 44

#### Technical data in accordance with IEC/ DIN VDE

Maximum load current/ cross section	[A] / [mm <sup>2</sup> ]	28 / 4
Rated surge voltage / contamination class	[kV] / -	8 / 3
Surge voltage category / insulation material group	- / -	III / I

#### Capacity connection

Stranded with ferrule with plastic sleeve	[mm <sup>2</sup> ]	0.25 - 2.5
Stranded with ferrule without plastic sleeve	[mm <sup>2</sup> ]	0.25 - 2.5
Stranded with TWIN ferrule with plastic sleeve	[mm <sup>2</sup> ]	0.5
<b>Stripping length</b>	[mm]	10

#### Internal cylindrical gauge (IEC 60 947-1)

<b>Insulating material</b>		A 3
Inflammability class in acc. with UL 94		PA
		V0

#### Approval data (UL and CSA/CUL)

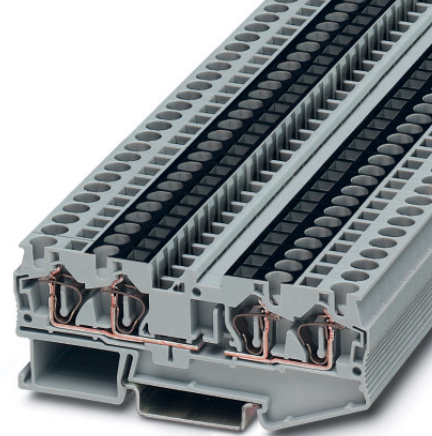
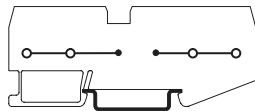
Nom. voltage / nom. current / conduc. sizes	UL: [V] / [A] / AWG	-
	CSA/CUL: [V] / [A] / AWG	-

Type	Order No.	Pcs. Pkt.
ST 2,5-QUATTRO-U	30 31 63 6	50
D-ST 2,5-QUATTRO	30 30 51 4	50
DS-ST 2,5	30 36 60 2	10
ISH 2,5/0,2	30 02 84 3	50
ISH 2,5/0,5	30 02 85 6	50
ISH 2,5/1	30 02 86 9	50
FBS 2-5	$I_{max}$ : 24 A	50
FBS 3-5	24 A	50
FBS 4-5	24 A	50
FBS 5-5	24 A	50
FBS 10-5	24 A	10
FBS 20-5	24 A	10
ATP ST-QUATTRO	30 30 81 5	50
PAI 4	30 30 92 5	10
MPS-RD	02 01 55 3	10
RPS	02 01 64 7	10
WST 2,5	30 30 94 1	50
SZF 1 - 0,6 x 3,5	12 04 51 7	10
ZBF 5:UNPRINTED	08 08 64 2	10
ZB 5:UNPRINTED	10 50 00 4	10

<sup>1)</sup> Further colors are available on request.

# Four-Conductor Spring Cage Terminal Block

## ST 4-QUATTRO-U



(IEC) [mm <sup>2</sup> ]	rigid solid	flexible stranded	AWG	I [A]	U [V]
IEC 60 947-7-1	0.08-4	0.08-2.5	28-12	28*	800

\* The max. load current must not be exceeded by the total current of all connected conductors.

### Technical data

Spring cage terminal block, for mounting on		gray	terminal width 6.2
(1) End cover		gray	
(2) Segment cover, for covering projecting terminal segments		gray	
(3) Insulating stop sleeve, prevents unintentional clamping of the insulation in the case of smaller cross sections Cross section range:		gray black	
(4) Plug-in bridge, for cross-connections in the terminal center	2-pos. 3-pos. 4-pos. 5-pos. 10-pos. 20-pos.		
(5) Partition plate, for visual and electrical separation of terminal groups, 2 mm thick			
(6) Test adapter, for 4 mm Ø test connector PS and 4 mm Ø safety test connectors, making contact in the bridge shaft			
(7) 2.3 mm Ø test connector <sup>1)</sup> , consisting of metal part and red insulating sleeve			
(8) Reducing plug			
(9) Warning cover, for the operating shafts of the "mini-spring" ST spring cage terminal blocks			
(10) Screwdriver, for actuating the tension spring			
(11) Zack strip, flat, for labeling the outer marker grooves		white	
(12) Zack strip, 10-section, for labeling in the terminal center and on the plug-in bridges		white	

### Dimensions

Width / length / end cover width	[mm]	6.2 / 87 / 2.2
Height (NS 35/7.5 / NS 35/15)	[mm]	36.5 / 44

### Technical data in accordance with IEC/ DIN VDE

Maximum load current/ cross section	[A] / [mm <sup>2</sup> ]	40 / 6
Rated surge voltage / contamination class	[kV] / -	8 / 3
Surge voltage category / insulation material group	- / -	III / I

### Capacity connection

Stranded with ferrule with plastic sleeve	[mm <sup>2</sup> ]	0.25 - 4
Stranded with ferrule without plastic sleeve	[mm <sup>2</sup> ]	0.25 - 4
Stranded with TWIN ferrule with plastic sleeve	[mm <sup>2</sup> ]	0.5 - 1
Stripping length	[mm]	10

### Internal cylindrical gauge (IEC 60 947-1)

Insulating material		A 4
Inflammability class in acc. with UL 94		PA
		V0

### Approval data (UL and CSA/CUL)

Nom. voltage / nom. current / conduc. sizes	UL: [V] / [A] / AWG	-
	CSA/CUL: [V] / [A] / AWG	-

Type	Order No.	Pcs. Pkt.
ST 4-QUATTRO-U	30 38 63 9	50
D-ST 4-QUATTRO	30 30 52 7	50
DS-ST 4	30 36 61 5	10
ISH 4/0,5	30 02 88 5	50
ISH 4/1	30 02 89 8	50
FBS 2-6	$I_{max}$ : 32 A	50
FBS 3-6	32 A	50
FBS 4-6	32 A	50
FBS 5-6	32 A	50
FBS 10-6	32 A	10
FBS 20-6	32 A	10
ATP ST-QUATTRO	30 30 81 5	50
PAI 4	30 30 92 5	10
MPS-RD	02 01 55 3	10
RPS	02 01 64 7	10
WST 4	30 30 95 4	50
SZF 1 - 0,6 x 3,5	12 04 51 7	10
ZBF 6:UNPRINTED	08 08 71 0	10
ZB 6:UNPRINTED	10 51 00 3	10

<sup>1)</sup> Further colors are available on request.