

## ADC12062 12-Bit, 1 MHz, 75 mW A/D Converter with Input Multiplexer and Sample/Hold

Check for Samples: [ADC12062](#)

### FEATURES

- Built-In Sample-and-Hold
- Single +5V Supply
- Single Channel or 2 Channel Multiplexer Operation
- Low Power Standby Mode

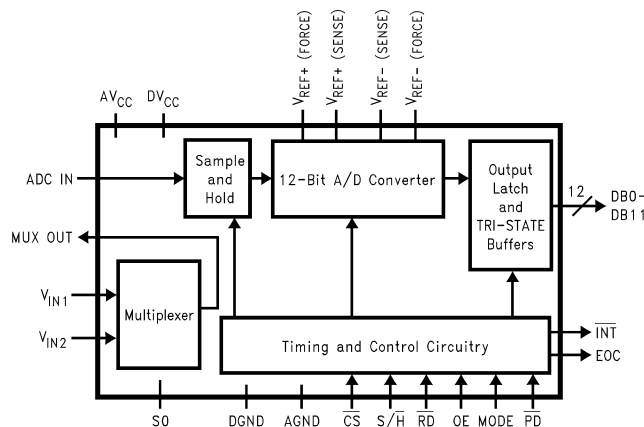
### APPLICATIONS

- Digital Signal Processor Front Ends
- Instrumentation
- Disk Drives
- Mobile Telecommunications
- Waveform Digitizers

### KEY SPECIFICATIONS

- Sampling rate: 1 MHz (min)
- Conversion time: 740 ns (typ)
- Signal-to-Noise Ratio,  $f_{IN} = 100$  kHz: 69.5 dB (min)
- Power consumption ( $f_s = 1$  MHz): 75 mW (max)
- No missing codes over temperature: Ensured

### BLOCK DIAGRAM



### DESCRIPTION

Using an innovative multistep conversion technique, the 12-bit ADC12062 CMOS analog-to-digital converter digitizes signals at a 1 MHz sampling rate while consuming a maximum of only 75 mW on a single +5V supply. The ADC12062 performs a 12-bit conversion in three lower-resolution “flash” conversions, yielding a fast A/D without the cost and power dissipation associated with true flash approaches.

The analog input voltage to the ADC12062 is tracked and held by an internal sampling circuit, allowing high frequency input signals to be accurately digitized without the need for an external sample-and-hold circuit. The multiplexer output is available to the user in order to perform additional external signal processing before the signal is digitized.

When the converter is not digitizing signals, it can be placed in the Standby mode; typical power consumption in this mode is 100  $\mu$ W.



Please be aware that an important notice concerning availability, standard warranty, and use in critical applications of Texas Instruments semiconductor products and disclaimers thereto appears at the end of this data sheet.

All trademarks are the property of their respective owners.



These devices have limited built-in ESD protection. The leads should be shorted together or the device placed in conductive foam during storage or handling to prevent electrostatic damage to the MOS gates.

### ABSOLUTE MAXIMUM RATINGS <sup>(1)(2)(3)</sup>

Supply Voltage ( $V_{CC} = DV_{CC} = AV_{CC}$ )	-0.3V to +6V		
Voltage at Any Input or Output	-0.3V to $V_{CC} + 0.3V$		
Input Current at Any Pin <sup>(4)</sup>	25 mA		
Package Input Current <sup>(4)</sup>	50 mA		
Power Dissipation <sup>(5)</sup>	875 mW		
ESD Susceptibility <sup>(6)</sup>	2000V		
Soldering Information	FNH Package, Infrared, 15 seconds		+300°C
	PGB Package	Vapor Phase (60 seconds)	+215°C
		Infrared (15 seconds)	+220°C
Storage Temperature Range	-65°C to +150°C		
Maximum Junction Temperature ( $T_{JMAX}$ )	150°C		

- (1) All voltages are measured with respect to GND (GND = AGND = DGND), unless otherwise specified.
- (2) Absolute Maximum Ratings indicate limits beyond which damage to the device may occur. Operating Ratings indicate conditions for which the device is functional. These ratings do not ensure specific performance limits, however. For specifications and test conditions, see the Electrical Characteristics. The specifications apply only for the test conditions listed. Some performance characteristics may degrade when the device is not operated under the listed test conditions.
- (3) If Military/Aerospace specified devices are required, please contact the Texas Instruments Sales Office/ Distributors for availability and specifications.
- (4) When the input voltage ( $V_{IN}$ ) at any pin exceeds the power supply rails ( $V_{IN} < GND$  or  $V_{IN} > V_{CC}$ ) the absolute value of current at that pin should be limited to 25 mA or less. The 50 mA package input current limits the number of pins that can safely exceed the power supplies with an input current of 25 mA to two.
- (5) The maximum power dissipation must be derated at elevated temperatures and is dictated by  $T_{JMAX}$ ,  $\theta_{JA}$  and the ambient temperature  $T_A$ . The maximum allowable power dissipation at any temperature is  $P_D = (T_{JMAX} - T_A)/\theta_{JA}$  or the number given in the Absolute Maximum Ratings, whichever is lower.  $\theta_{JA}$  for the FNH (PLCC) package is 55°C/W.  $\theta_{JA}$  for the PGB (PQFP) package is 62°C/W. In most cases the maximum derated power dissipation will be reached only during fault conditions.
- (6) Human body model, 100 pF discharged through a 1.5 kΩ resistor. Machine model ESD rating is 200V.

### OPERATING RATINGS <sup>(1)(2)</sup>

Temperature Range	$T_{MIN} \leq T_A \leq T_{MAX}$	
ADC12062CIV, ADC12062BIVF, ADC12062CIVF	-40°C $\leq T_A \leq$ +85°C	
Supply Voltage Range	( $DV_{CC} = AV_{CC}$ )	4.5V to 5.5V

- (1) Absolute Maximum Ratings indicate limits beyond which damage to the device may occur. Operating Ratings indicate conditions for which the device is functional. These ratings do not ensure specific performance limits, however. For specifications and test conditions, see the Electrical Characteristics. The specifications apply only for the test conditions listed. Some performance characteristics may degrade when the device is not operated under the listed test conditions.
- (2) All voltages are measured with respect to GND (GND = AGND = DGND), unless otherwise specified.

## CONVERTER CHARACTERISTICS

The following specifications apply for  $DV_{CC} = AV_{CC} = +5V$ ,  $V_{REF+(SENSE)} = +4.096V$ ,  $V_{REF-(SENSE)} = AGND$ , and  $f_s = 1\text{ MHz}$ , unless otherwise specified. **Boldface limits apply for  $T_A = T_J$  from  $T_{MIN}$  to  $T_{MAX}$** ; all other limits  $T_A = T_J = +25^\circ\text{C}$ .

Symbol	Parameter	Conditions	Typ <sup>(1)</sup>	Limit <sup>(2)</sup>	Units (Limit)
	Resolution			<b>12</b>	Bits
	Differential Linearity Error	$T_A = 25^\circ\text{C}$ $T_{MIN}$ to $T_{MAX}$	$\pm 0.4$	$\pm 0.8$ <b><math>\pm 0.95</math></b>	LSB (max) LSB (max)
	Integral Linearity Error <sup>(3)</sup>	$T_{MIN}$ to $T_{MAX}$ (BIV Suffix)	$\pm 0.4$	<b><math>\pm 1.0</math></b>	LSB (max)
		$T_A = +25^\circ\text{C}$ (CIV Suffix)	$\pm 0.4$	$\pm 1.0$	LSB (max)
		$T_{MIN}$ to $T_{MAX}$ (CIV Suffix)		<b><math>\pm 1.5</math></b>	LSB (max)
	Offset Error	$T_{MIN}$ to $T_{MAX}$ (BIV Suffix)	$\pm 0.3$	<b><math>\pm 1.25</math></b>	LSB (max)
		$T_A = +25^\circ\text{C}$ (CIV Suffix)	$\pm 0.3$	$\pm 1.25$	LSB (max)
		$T_{MIN}$ to $T_{MAX}$ (CIV Suffix)		<b><math>\pm 2.0</math></b>	LSB (max)
	Full Scale Error	$T_{MIN}$ to $T_{MAX}$ (BIV Suffix)	$\pm 0.2$	<b><math>\pm 1.0</math></b>	LSB (max)
		$T_A = +25^\circ\text{C}$ (CIV Suffix)	$\pm 0.2$	$\pm 1.0$	LSB (max)
		$T_{MIN}$ to $T_{MAX}$ (CIV Suffix)		<b><math>\pm 1.5</math></b>	LSB (max)
	Power Supply Sensitivity <sup>(4)</sup>	$DV_{CC} = AV_{CC} = 5V \pm 10\%$		<b><math>\pm 1.0</math></b>	LSB (max)
$R_{REF}$	Reference Resistance		1000	<b>600</b> <b>1300</b>	$\Omega$ (min) $\Omega$ (max)
$V_{REF(+)}$	$V_{REF+(SENSE)}$ Input Voltage			<b><math>AV_{CC}</math></b>	V (max)
$V_{REF(-)}$	$V_{REF-(SENSE)}$ Input Voltage			<b>AGND</b>	V (min)
$V_{IN}$	Input Voltage Range	To $V_{IN1}$ , $V_{IN2}$ , or ADC IN		<b><math>AV_{CC} + 0.05V</math></b> <b>AGND – 0.05V</b>	V (max) V (min)
	ADC IN Input Leakage	AGND to $AV_{CC} - 0.3V$	0.1	<b>3</b>	$\mu\text{A}$ (max)
$C_{ADC}$	ADC IN Input Capacitance		25		pF
	MUX On-Channel Leakage	AGND to $AV_{CC} - 0.3V$	0.1	<b>3</b>	$\mu\text{A}$ (max)
	MUX Off-Channel Leakage	AGND to $AV_{CC} - 0.3V$	0.1	<b>3</b>	$\mu\text{A}$ (max)
$C_{MUX}$	Multiplexer Input Cap		7		pF
	MUX Off Isolation	$f_{IN} = 100\text{ kHz}$	92		dB

- (1) Typicals are at  $+25^\circ\text{C}$  and represent most likely parametric norm.
- (2) Tested limits are specified to Texas Instruments' AOQL (Average Outgoing Quality Level).
- (3) Integral Linearity Error is the maximum deviation from a straight line between the measured offset and full scale endpoints.
- (4) Power Supply Sensitivity is defined as the change in the Offset Error or the Full Scale Error due to a change in the supply voltage.

## DYNAMIC CHARACTERISTICS <sup>(1)</sup>

The following specifications apply for  $DV_{CC} = AV_{CC} = +5V$ ,  $V_{REF+(SENSE)} = +4.096V$ ,  $V_{REF-(SENSE)} = AGND$ ,  $R_S = 25\Omega$ ,  $f_{IN} = 100\text{ kHz}$ , 0 dB from fullscale, and  $f_s = 1\text{ MHz}$ , unless otherwise specified. **Boldface limits apply for  $T_A = T_J$  from  $T_{MIN}$  to  $T_{MAX}$** ; all other limits  $T_A = T_J = +25^\circ\text{C}$ .

Symbol	Parameter	Conditions	Typ <sup>(2)</sup>	Limit <sup>(3)</sup>	Units (Limit)
SINAD	Signal-to-Noise Plus Distortion Ratio	$T_{MIN}$ to $T_{MAX}$	71	<b>68.0</b>	dB (min)
SNR	Signal-to-Noise Ratio <sup>(4)</sup>	$T_{MIN}$ to $T_{MAX}$	72	<b>69.5</b>	dB (min)
THD	Total Harmonic Distortion <sup>(5)</sup>	$T_A = +25^\circ\text{C}$ $T_{MIN}$ to $T_{MAX}$	-82	-74 <b>-70</b>	dBc (max) dBc (max)
ENOB	Effective Number of Bits <sup>(6)</sup>	$T_{MIN}$ to $T_{MAX}$	11.5	<b>11.0</b>	Bits (min)
IMD	Intermodulation Distortion	$f_{IN} = 102.3\text{ kHz}, 102.7\text{ kHz}$	-80		dBc

- (1) Dynamic testing of the ADC12062 is done using the ADC IN input. The input multiplexer adds harmonic distortion at high frequencies. See the graph in the [TYPICAL PERFORMANCE CHARACTERISTICS](#) for a typical graph of THD performance vs input frequency with and without the input multiplexer.
- (2) Typical values are at  $+25^\circ\text{C}$  and represent most likely parametric norm.
- (3) Tested limits are specified to Texas Instruments' AOQL (Average Outgoing Quality Level).
- (4) The signal-to-noise ratio is the ratio of the signal amplitude to the background noise level. Harmonics of the input signal are not included in its calculation.
- (5) The contributions from the first nine harmonics are used in the calculation of the THD.
- (6) Effective Number of Bits (ENOB) is calculated from the measured signal-to-noise plus distortion ratio (SINAD) using the equation  $ENOB = (SINAD - 1.76)/6.02$ .

## DC ELECTRICAL CHARACTERISTICS

The following specifications apply for  $DV_{CC} = AV_{CC} = +5V$ ,  $V_{REF+(SENSE)} = +4.096V$ ,  $V_{REF-(SENSE)} = AGND$ , and  $f_s = 1\text{ MHz}$ , unless otherwise specified. **Boldface limits apply for  $T_A = T_J$  from  $T_{MIN}$  to  $T_{MAX}$** ; all other limits  $T_A = T_J = +25^\circ\text{C}$ .

Symbol	Parameter	Conditions	Typ <sup>(1)</sup>	Limit <sup>(2)</sup>	Units (Limit)
$V_{IN(1)}$	Logical "1" Input Voltage	$DV_{CC} = AV_{CC} = +5.5V$		<b>2.0</b>	V (min)
$V_{IN(0)}$	Logical "0" Input Voltage	$DV_{CC} = AV_{CC} = +4.5V$		<b>0.8</b>	V (max)
$I_{IN(1)}$	Logical "1" Input Current		0.1	<b>1.0</b>	$\mu\text{A}$ (max)
$I_{IN(0)}$	Logical "0" Input Current		0.1	<b>1.0</b>	$\mu\text{A}$ (max)
$V_{OUT(1)}$	Logical "1" Output Voltage	$DV_{CC} = AV_{CC} = +4.5V$ , $I_{OUT} = -360\ \mu\text{A}$ $I_{OUT} = -100\ \mu\text{A}$		<b>2.4</b> <b>4.25</b>	V (min) V (min)
$V_{OUT(0)}$	Logical "0" Output Voltage	$DV_{CC} = AV_{CC} = +4.5V$ , $I_{OUT} = 1.6\text{ mA}$		<b>0.4</b>	V (max)
$I_{OUT}$	TRI-STATE Output Leakage Current	Pins DB0–DB11	0.1	<b>3</b>	$\mu\text{A}$ (max)
$C_{OUT}$	TRI-STATE Output Capacitance	Pins DB0–DB11	5		pF
$C_{IN}$	Digital Input Capacitance		4		pF
$DI_{CC}$	$DV_{CC}$ Supply Current		2	<b>3</b>	mA (max)
$AI_{CC}$	$AV_{CC}$ Supply Current		10	<b>12</b>	mA (max)
$I_{STANDBY}$	Standby Current ( $DI_{CC} + AI_{CC}$ )	$\overline{PD} = 0V$	20		$\mu\text{A}$

- (1) Typical values are at  $+25^\circ\text{C}$  and represent most likely parametric norm.
- (2) Tested limits are specified to Texas Instruments' AOQL (Average Outgoing Quality Level).

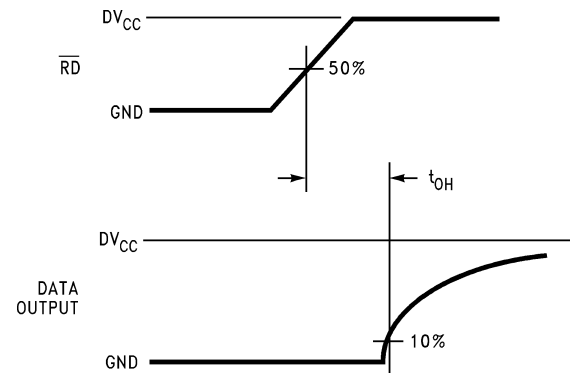
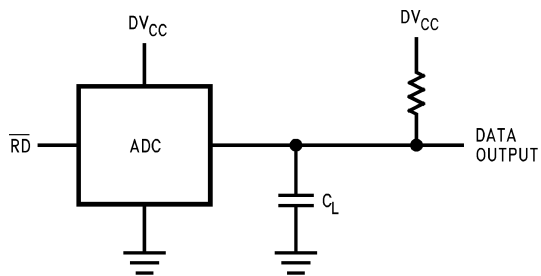
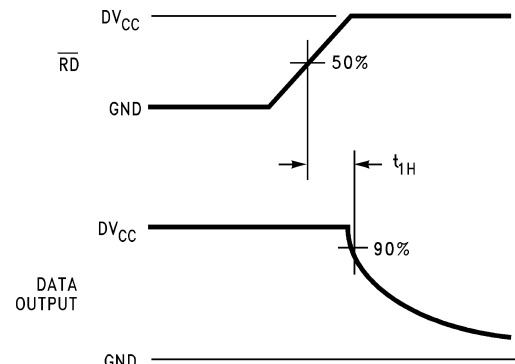
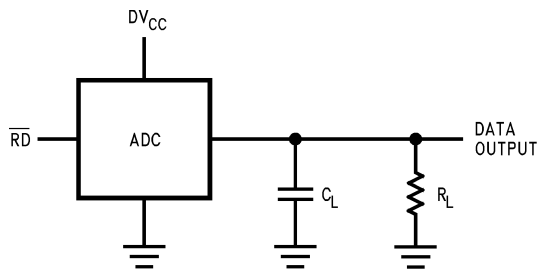
## AC ELECTRICAL CHARACTERISTICS

The following specifications apply for  $DV_{CC} = AV_{CC} = +5V$ ,  $V_{REF+(SENSE)} = +4.096V$ ,  $V_{REF-(SENSE)} = AGND$ , and  $f_s = 1\text{ MHz}$ , unless otherwise specified. **Boldface limits apply for  $T_A = T_J$  from  $T_{MIN}$  to  $T_{MAX}$ ; all other limits  $T_A = T_J = +25^\circ\text{C}$ .**

Symbol	Parameter	Conditions	Typ <sup>(1)</sup>	Limit <sup>(2)</sup>	Units (Limits)
$f_s$	Maximum Sampling Rate ( $1/t_{\text{THROUGHPUT}}$ )			<b>1</b>	MHz (min)
$t_{\text{CONV}}$	Conversion Time ( $S/\bar{H}$ Low to EOC High)		740	<b>600</b> <b>980</b>	ns (min) ns (max)
$t_{\text{AD}}$	Aperture Delay ( $S/\bar{H}$ Low to Input Voltage Held)		20		ns
$t_{S/\bar{H}}$	$S/\bar{H}$ Pulse Width			<b>5</b> <b>550</b>	ns (min) ns (max)
$t_{\text{EOC}}$	$S/\bar{H}$ Low to EOC Low		95	<b>60</b> <b>185</b>	ns (min) ns (max)
$t_{\text{ACC}}$	Access Time ( $\overline{RD}$ Low or OE High to Data Valid)	$C_L = 100\text{ pF}$	10	<b>20</b>	ns (max)
$t_{1H}, t_{0H}$	TRI-STATE Control ( $\overline{RD}$ High or OE Low to Databus TRI-STATE)	$R_L = 1k, C_L = 10\text{ pF}$	25	<b>40</b>	ns (max)
$t_{\text{INTH}}$	Delay from $\overline{RD}$ Low to $\overline{INT}$ High	$C_L = 100\text{ pF}$	35	<b>60</b>	ns (max)
$t_{\text{INTL}}$	Delay from EOC High to $\overline{INT}$ Low	$C_L = 100\text{ pF}$	-25	<b>-35</b> <b>-5</b>	ns (min) ns (max)
$t_{\text{UPDATE}}$	EOC High to New Data Valid		5	<b>30</b>	ns (max)
$t_{\text{MS}}$	Multiplexer Address Setup Time (MUX Address Valid to EOC Low)			<b>50</b>	ns (min)
$t_{\text{MH}}$	Multiplexer Address Hold Time (EOC Low to MUX Address Invalid)			<b>50</b>	ns (min)
$t_{\text{CSS}}$	$\overline{CS}$ Setup Time ( $\overline{CS}$ Low to $\overline{RD}$ Low, $S/\bar{H}$ Low, or OE High)			<b>20</b>	ns (min)
$t_{\text{CSH}}$	$\overline{CS}$ Hold Time ( $\overline{CS}$ High after $\overline{RD}$ High, $S/\bar{H}$ High, or OE Low)			<b>20</b>	ns (min)
$t_{\text{WU}}$	Wake-Up Time ( $\overline{PD}$ High to First $S/\bar{H}$ Low)		1		$\mu\text{s}$

- (1) Typicals are at  $+25^\circ\text{C}$  and represent most likely parametric norm.  
 (2) Tested limits are specified to Texas Instruments' AOQL (Average Outgoing Quality Level).

### TRI-STATE TEST CIRCUIT AND WAVEFORMS



TYPICAL PERFORMANCE CHARACTERISTICS

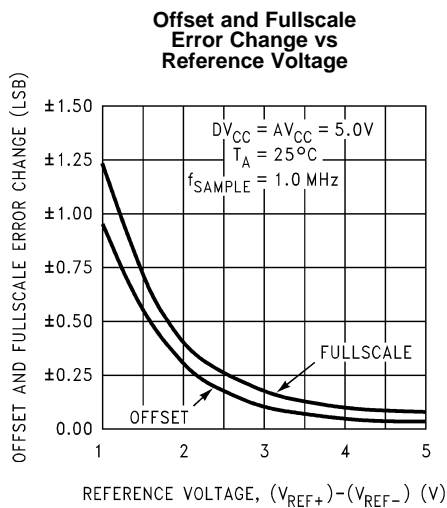


Figure 1.

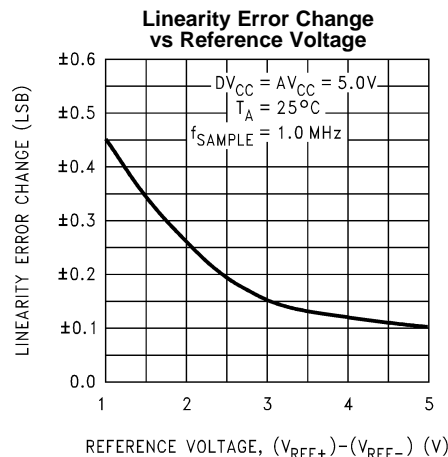


Figure 2.

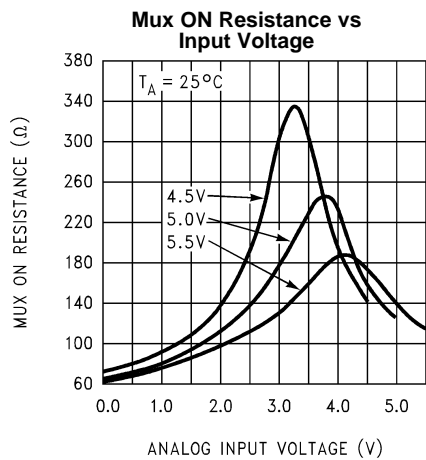


Figure 3.

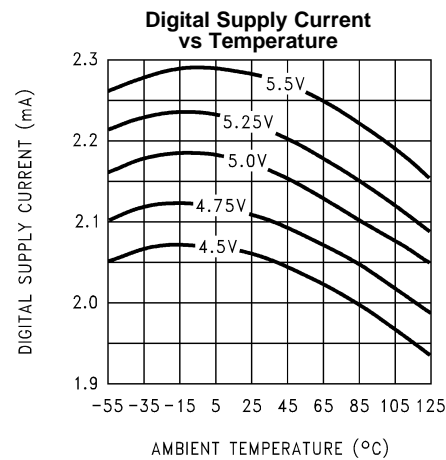


Figure 4.

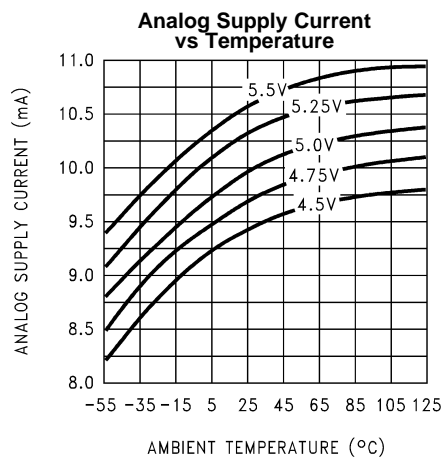


Figure 5.

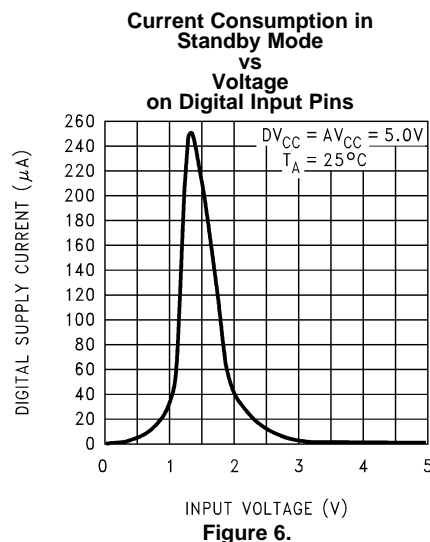
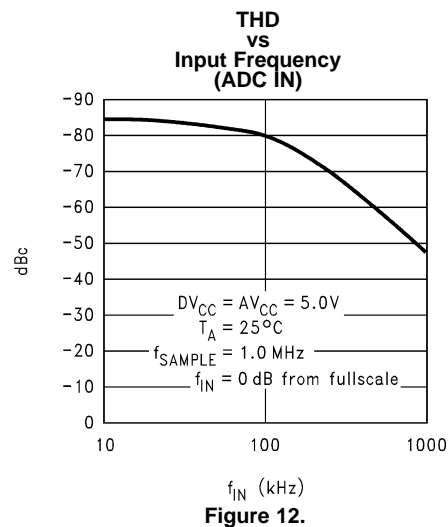
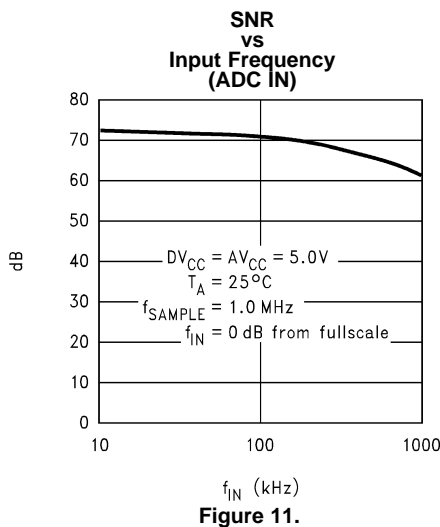
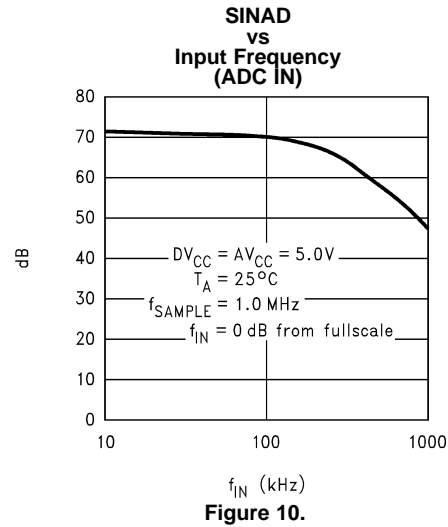
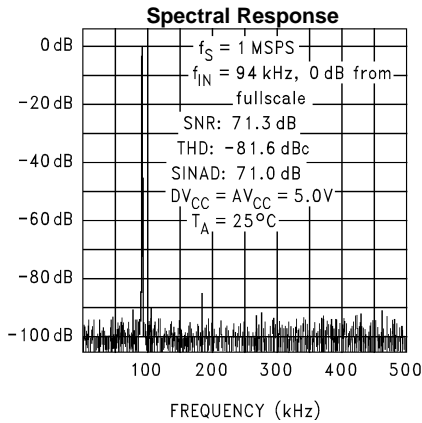
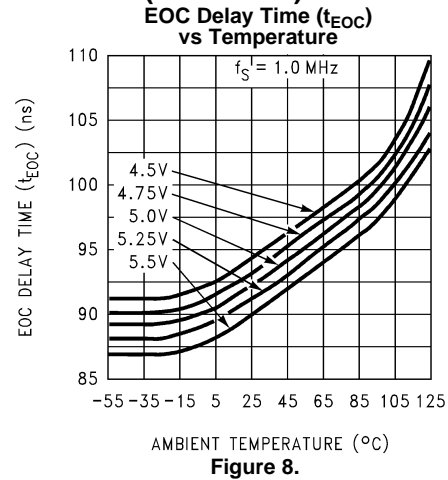
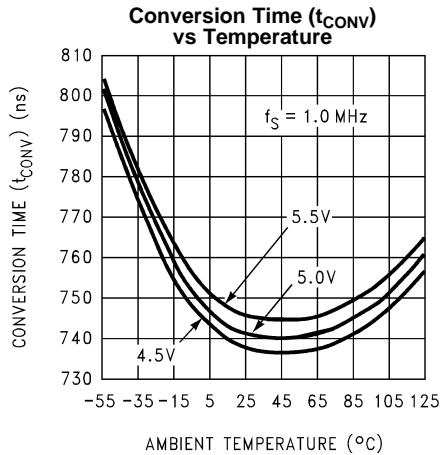


Figure 6.

**TYPICAL PERFORMANCE CHARACTERISTICS (continued)**





**TYPICAL PERFORMANCE CHARACTERISTICS (continued)**

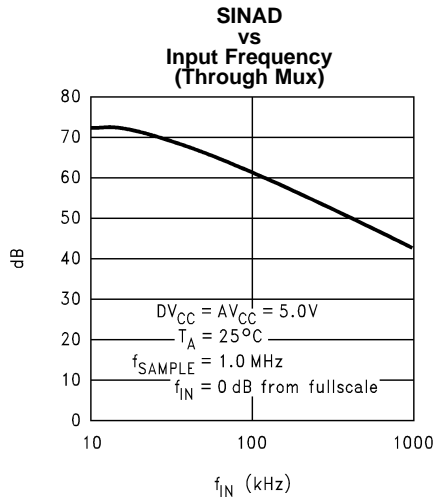


Figure 13.

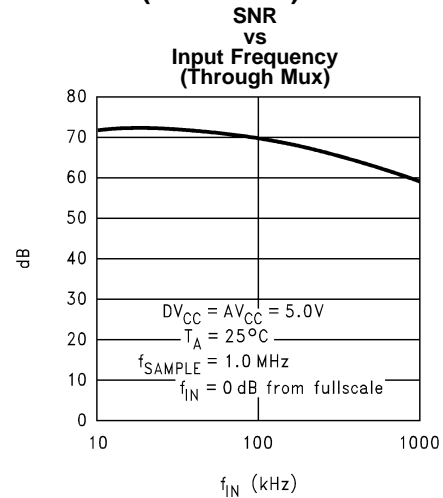


Figure 14.

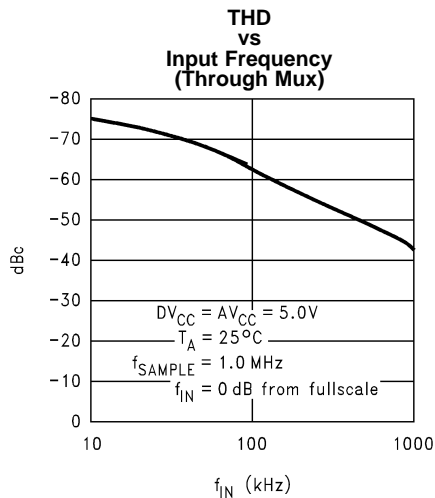


Figure 15.

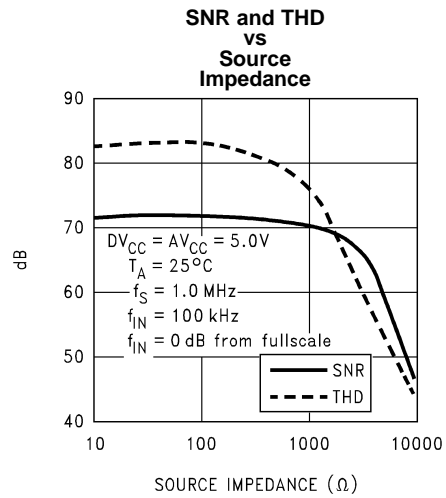


Figure 16.

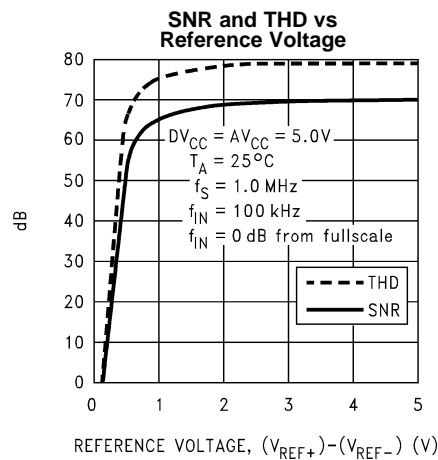


Figure 17.

## TIMING DIAGRAMS

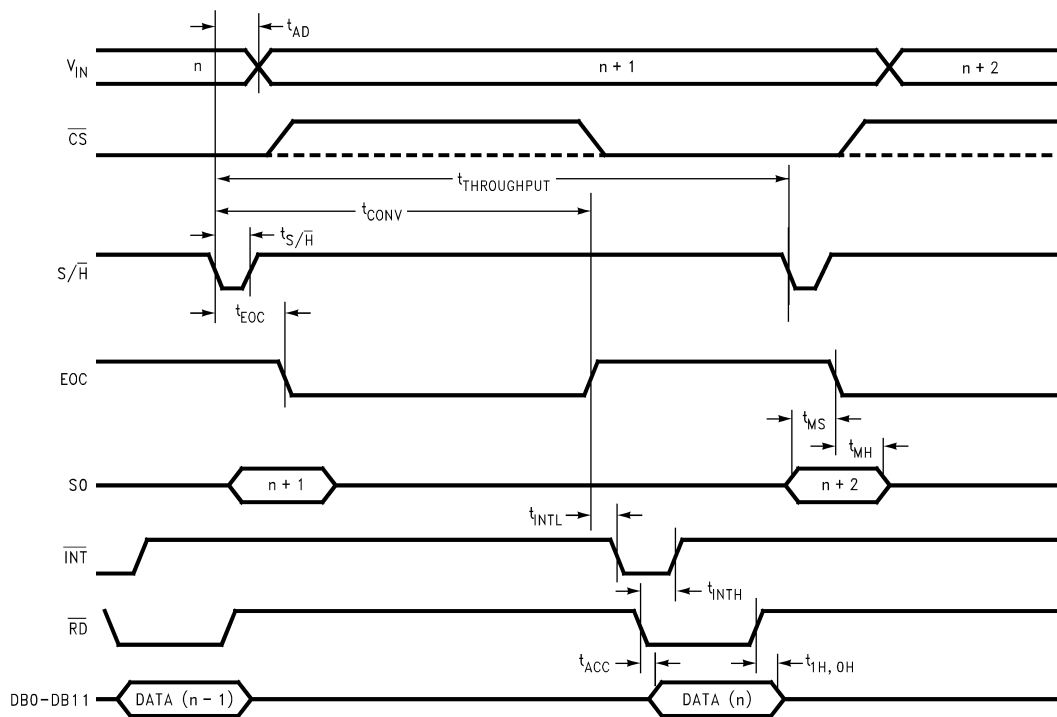


Figure 18. Interrupt Interface Timing (MODE = 1, OE = 1)

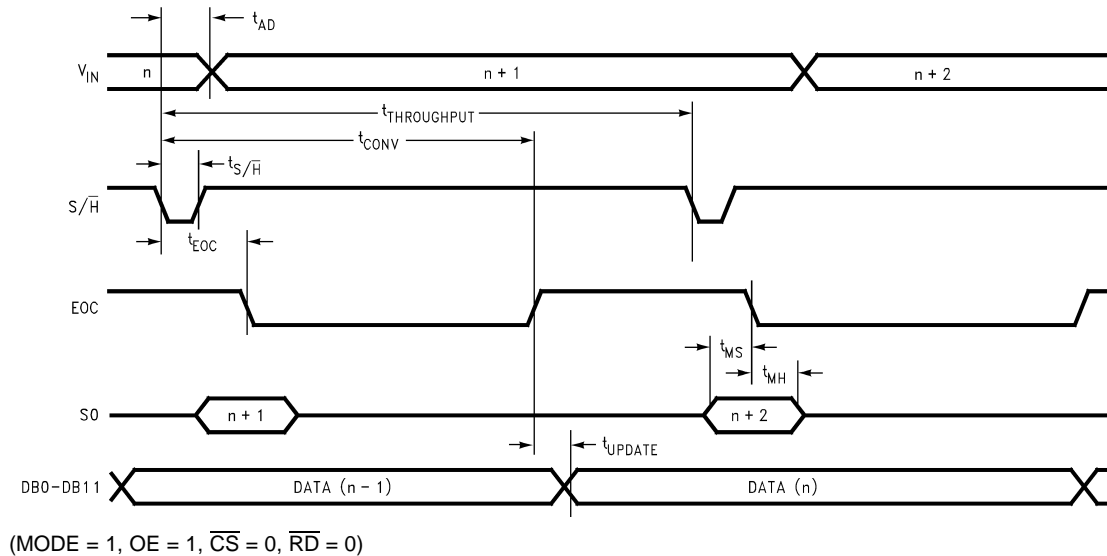


Figure 19. High Speed Interface Timing

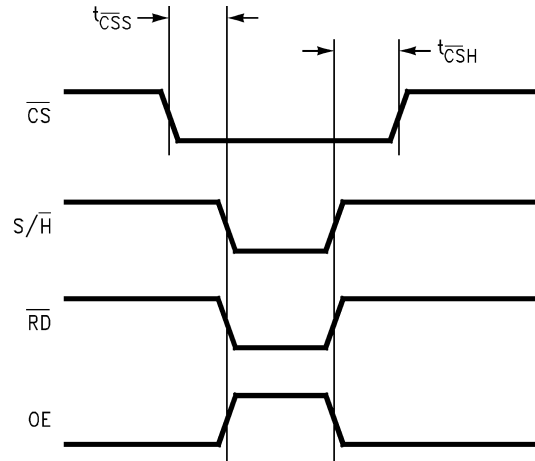


Figure 20. CS Setup and Hold Timing for S/H, RD, and OE

Connection Diagram

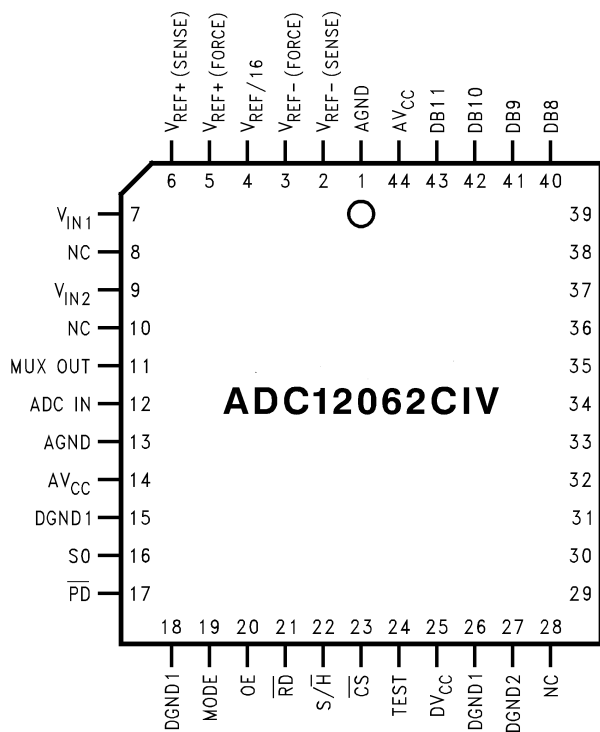


Figure 21. Top View

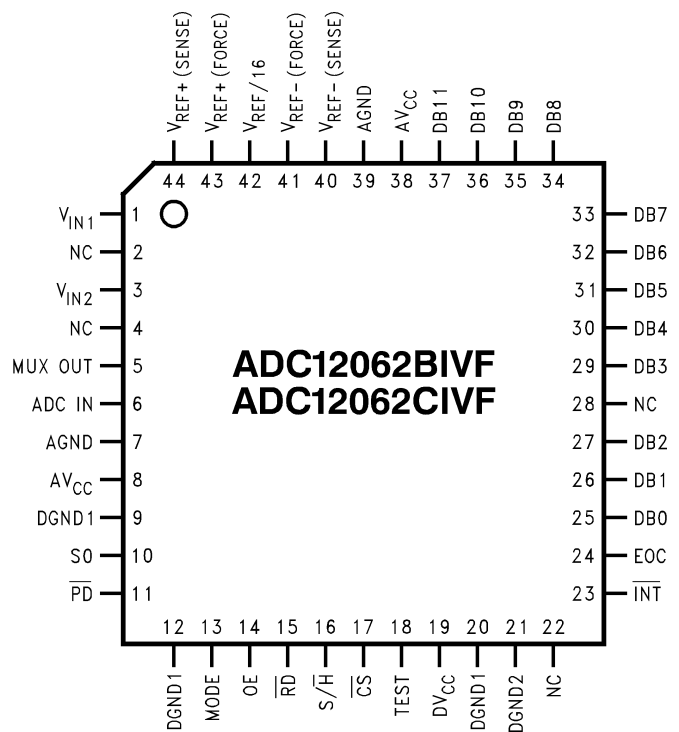


Figure 22. Top View

## PIN DESCRIPTIONS

AV <sub>CC</sub>	These are the two positive analog supply inputs. They should always be connected to the same voltage source, but are brought out separately to allow for separate bypass capacitors. Each supply pin should be bypassed to AGND with a 0.1 μF ceramic capacitor in parallel with a 10 μF tantalum capacitor.
DV <sub>CC</sub>	This is the positive digital supply input. It should always be connected to the same voltage as the analog supply, AV <sub>CC</sub> . It should be bypassed to DGND2 with a 0.1 μF ceramic capacitor in parallel with a 10 μF tantalum capacitor.
AGND, DGND1, DGND2	These are the power supply ground pins. There are separate analog and digital ground pins for separate bypassing of the analog and digital supplies. The ground pins should be connected to a stable, noise-free system ground. All of the ground pins should be returned to the same potential. AGND is the analog ground for the converter. DGND1 is the ground pin for the digital control lines. DGND2 is the ground return for the output databus. See <a href="#">LAYOUT AND GROUNDING</a> for more information.
DB0–DB11	These are the TRI-STATE output pins, enabled by $\overline{RD}$ , $\overline{CS}$ , and OE.
V <sub>IN1</sub> , V <sub>IN2</sub>	These are the analog input pins to the multiplexer. For accurate conversions, no input pin (even one that is not selected) should be driven more than 50 mV below ground or 50 mV above V <sub>CC</sub> .
MUX OUT	This is the output of the on-board analog input multiplexer.
ADC IN	This is the direct input to the 12-bit sampling A/D converter. For accurate conversions, this pin should not be driven more than 50 mV below AGND or 50 mV above AV <sub>CC</sub> .
S0	This pin selects the analog input that will be connected to the ADC12062 during the conversion. The input is selected based on the state of S0 when EOC makes its high-to-low transition. Low selects V <sub>IN1</sub> , high selects V <sub>IN2</sub> .
MODE	This pin should be tied to DV <sub>CC</sub> .
$\overline{CS}$	This is the active low Chip Select control input. When low, this pin enables the $\overline{RD}$ , S/ $\overline{H}$ , and OE inputs. This pin can be tied low.
$\overline{INT}$	This is the active low Interrupt output. When using the Interrupt Interface Mode ( <a href="#">Figure 18</a> ), this output goes low when a conversion has been completed and indicates that the conversion result is available in the output latches. This output is always high when $\overline{RD}$ is held low ( <a href="#">Figure 19</a> ).
$\overline{EOC}$	This is the End-of-Conversion control output. This output is low during a conversion.
$\overline{RD}$	This is the active low Read control input. When $\overline{RD}$ is low (and $\overline{CS}$ is low), the $\overline{INT}$ output is reset and (if OE is high) data appears on the data bus. This pin can be tied low.
OE	This is the active high Output Enable control input. This pin can be thought of as an inverted version of the $\overline{RD}$ input (see <a href="#">Figure 25</a> ). Data output pins DB0–DB11 are TRI-STATE when OE is low. Data appears on DB0–DB11 only when OE is high and $\overline{CS}$ and $\overline{RD}$ are both low. This pin can be tied high.
S/ $\overline{H}$	This is the Sample/ $\overline{Hold}$ control input. The analog input signal is held and a new conversion is initiated by the falling edge of this control input (when $\overline{CS}$ is low).
$\overline{PD}$	This is the Power Down control input. This pin should be held high for normal operation. When this pin is pulled low, the device goes into a low power standby mode.
V <sub>REF+(FORCE)</sub> , V <sub>REF-(FORCE)</sub>	These are the positive and negative voltage reference force inputs, respectively. See <a href="#">REFERENCE INPUTS</a> for more information.
V <sub>REF+(SENSE)</sub> , V <sub>REF-(SENSE)</sub>	These are the positive and negative voltage reference sense pins, respectively. See <a href="#">REFERENCE INPUTS</a> for more information.
V <sub>REF</sub> /16	This pin should be bypassed to AGND with a 0.1 μF ceramic capacitor.
TEST	This pin should be tied to DV <sub>CC</sub> .

## FUNCTIONAL DESCRIPTION

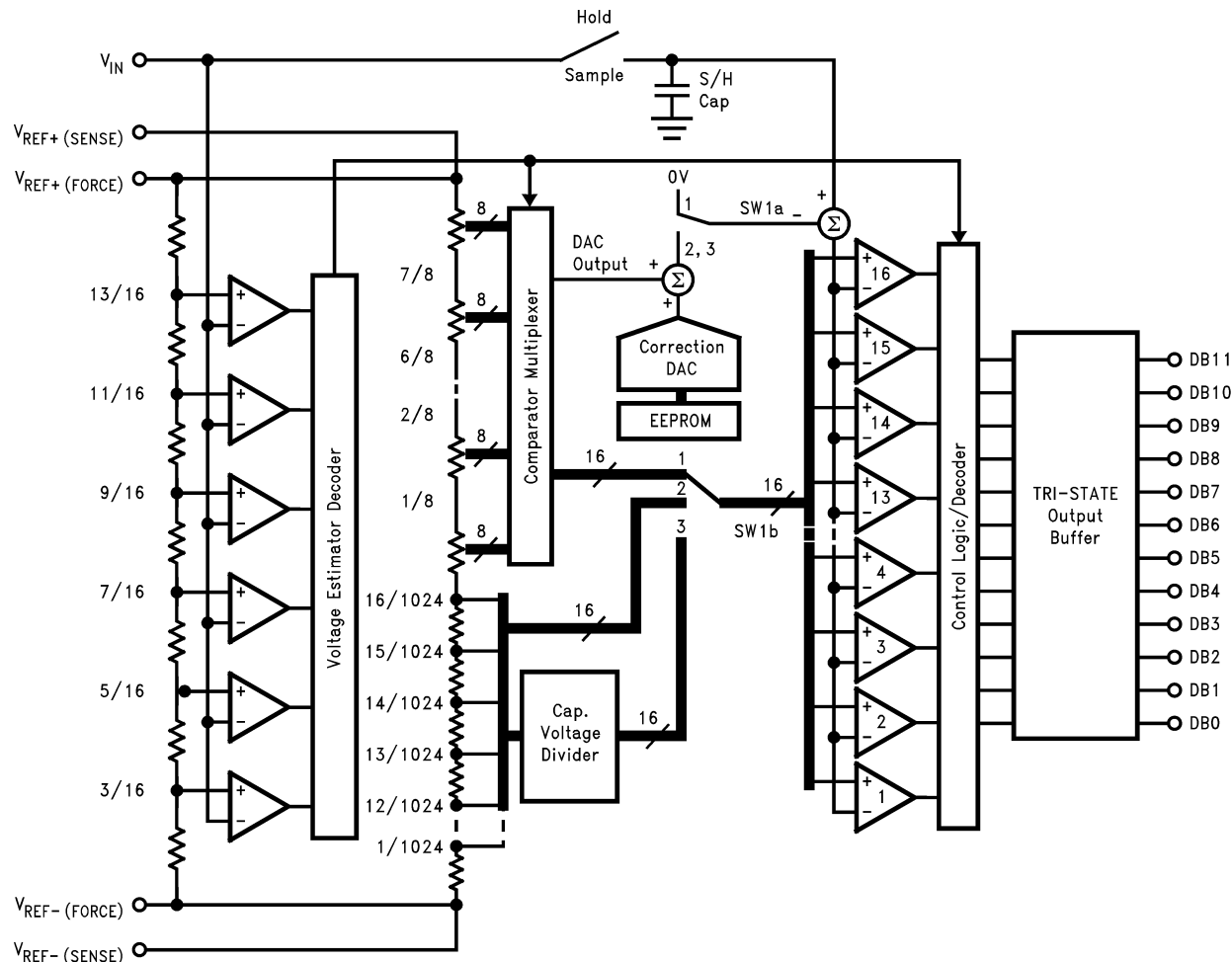
The ADC12062 performs a 12-bit analog-to-digital conversion using a 3 step flash technique. The first flash determines the six most significant bits, the second flash generates four more bits, and the final flash resolves the two least significant bits. [Figure 23](#) shows the major functional blocks of the converter. It consists of a 2<sup>1/2</sup>-bit Voltage Estimator, a resistor ladder with two different resolution voltage spans, a sample/hold capacitor, a 4-bit flash converter with front end multiplexer, a digitally corrected DAC, and a capacitive voltage divider.

The resistor string near the center of the block diagram in [Figure 23](#) generates the 6-bit and 10-bit reference voltages for the first two conversions. Each of the 16 resistors at the bottom of the string is equal to 1/1024 of the total string resistance. These resistors form the **LSB Ladder** (The weight of each resistor on the LSB ladder is actually equivalent to four 12-bit LSBs. It is called the LSB ladder because it has the highest resolution of all the ladders in the converter) and have a voltage drop of 1/1024 of the total reference voltage ( $V_{REF+} - V_{REF-}$ ) across each of them. The remaining resistors form the **MSB Ladder**. It is comprised of eight groups of eight resistors each connected in series (the lowest MSB ladder resistor is actually the entire LSB ladder). Each MSB Ladder section has 1/8 of the total reference voltage across it. Within a given MSB ladder section, each of the eight MSB resistors has 1/64 of the total reference voltage across it. Tap points are found between all of the resistors in both the MSB and LSB ladders. The Comparator Multiplexer can connect any of these tap points, in two adjacent groups of eight, to the sixteen comparators shown at the right of [Figure 23](#). This function provides the necessary reference voltages to the comparators during the first two flash conversions.

The six comparators, seven-resistor string (Estimator DAC ladder), and Estimator Decoder at the left of [Figure 23](#) form the Voltage Estimator. The Estimator DAC, connected between  $V_{REF+}$  and  $V_{REF-}$ , generates the reference voltages for the six Voltage Estimator comparators. The comparators perform a very low resolution A/D conversion to obtain an “estimate” of the input voltage. This estimate is used to control the placement of the Comparator Multiplexer, connecting the appropriate MSB ladder section to the sixteen flash comparators. A total of only 22 comparators (6 in the Voltage Estimator and 16 in the flash converter) is required to quantize the input to 6 bits, instead of the 64 that would be required using a traditional 6-bit flash.

Prior to a conversion, the Sample/Hold switch is closed, allowing the voltage on the S/H capacitor to track the input voltage. Switch 1 is in position 1. A conversion begins by opening the Sample/Hold switch and latching the output of the Voltage Estimator. The estimator decoder then selects two adjacent banks of tap points along the MSB ladder. These sixteen tap points are then connected to the sixteen flash converters. For example, if the input voltage is between 5/16 and 7/16 of  $V_{REF}$  ( $V_{REF} = V_{REF+} - V_{REF-}$ ), the estimator decoder instructs the comparator multiplexer to select the sixteen tap points between 2/8 and 4/8 (4/16 and 8/16) of  $V_{REF}$  and connects them to the sixteen comparators. The first flash conversion is now performed, producing the first 6 MSBs of data.

At this point, Voltage Estimator errors as large as 1/16 of  $V_{REF}$  will be corrected since the comparators are connected to ladder voltages that extend beyond the range specified by the Voltage Estimator. For example, if  $(7/16)V_{REF} < V_{IN} < (9/16)V_{REF}$ , the Voltage Estimator's comparators tied to the tap points below  $(9/16)V_{REF}$  will output “1”s (000111). This is decoded by the estimator decoder to “10”. The 16 comparators will be placed on the MSB ladder tap points between  $(3/8)V_{REF}$  and  $(5/8)V_{REF}$ . This overlap of  $(1/16)V_{REF}$  will automatically cancel a Voltage Estimator error of up to 256 LSBs. If the first flash conversion determines that the input voltage is between  $(3/8)V_{REF}$  and  $((4/8)V_{REF} - LSB/2)$ , the Voltage Estimator's output code will be corrected by subtracting “1”, resulting in a corrected value of “01” for the first two MSBs. If the first flash conversion determines that the input voltage is between  $(4/8)V_{REF} - LSB/2$  and  $(5/8)V_{REF}$ , the voltage estimator's output code is unchanged.



**Figure 23. Functional Block Diagram**

The results of the first flash and the Voltage Estimator's output are given to the factory-programmed on-chip EEPROM which returns a correction code corresponding to the error of the MSB ladder at that tap. This code is converted to a voltage by the Correction DAC. To generate the next four bits, SW1 is moved to position 2, so the ladder voltage and the correction voltage are subtracted from the input voltage. The remainder is applied to the sixteen flash converters and compared with the 16 tap points from the LSB ladder.

The result of this second conversion is accurate to 10 bits and describes the input remainder as a voltage between two tap points ( $V_H$  and  $V_L$ ) on the LSB ladder. To resolve the last two bits, the voltage across the ladder resistor (between  $V_H$  and  $V_L$ ) is divided up into 4 equal parts by the capacitive voltage divider, shown in Figure 24. The divider also creates 6 LSBs below  $V_L$  and 6 LSBs above  $V_H$  to provide overlap used by the digital error correction. SW1 is moved to position 3, and the remainder is compared with these 16 new voltages. The output is combined with the results of the Voltage Estimator, first flash, and second flash to yield the final 12-bit result.

By using the same sixteen comparators for all three flash conversions, the number of comparators needed by the multi-step converter is significantly reduced when compared to standard multi-step techniques.

## APPLICATIONS INFORMATION

### MODES OF OPERATION

The ADC12062 has two interface modes: An interrupt/read mode and a high speed mode. [Figure 18](#) and [Figure 19](#) show the timing diagrams for these interfaces.

In order to clearly show the relationship between  $\overline{S/H}$ ,  $\overline{CS}$ ,  $\overline{RD}$ , and OE, the control logic decoding section of the ADC12062 is shown in [Figure 25](#).

#### Interrupt Interface

As shown in [Figure 18](#), the falling edge of  $\overline{S/H}$  holds the input voltage and initiates a conversion. At the end of the conversion, the EOC output goes high and the  $\overline{INT}$  output goes low, indicating that the conversion results are latched and may be read by pulling  $\overline{RD}$  low. The falling edge of  $\overline{RD}$  resets the  $\overline{INT}$  line. Note that  $\overline{CS}$  must be low to enable  $\overline{S/H}$  or  $\overline{RD}$ .

#### High Speed Interface

This is the fastest interface, shown in [Figure 19](#). Here the output data is always present on the databus, and the  $\overline{INT}$  to  $\overline{RD}$  delay is eliminated.

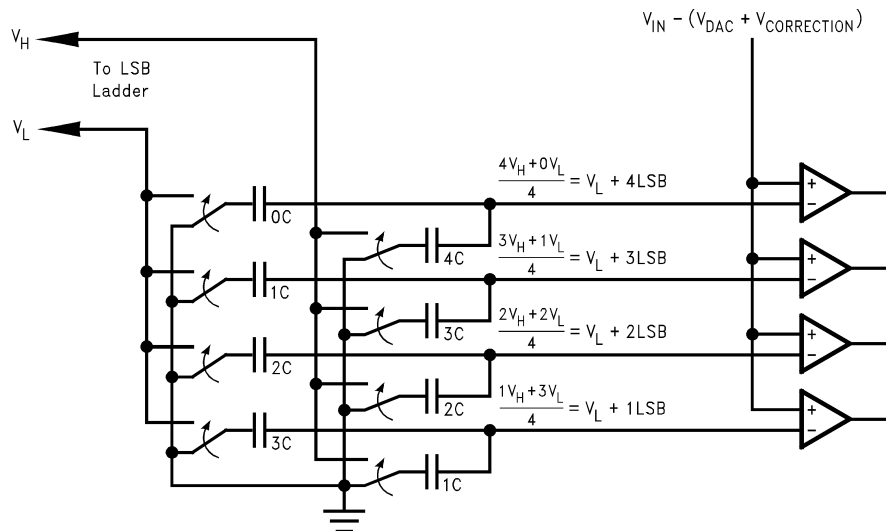
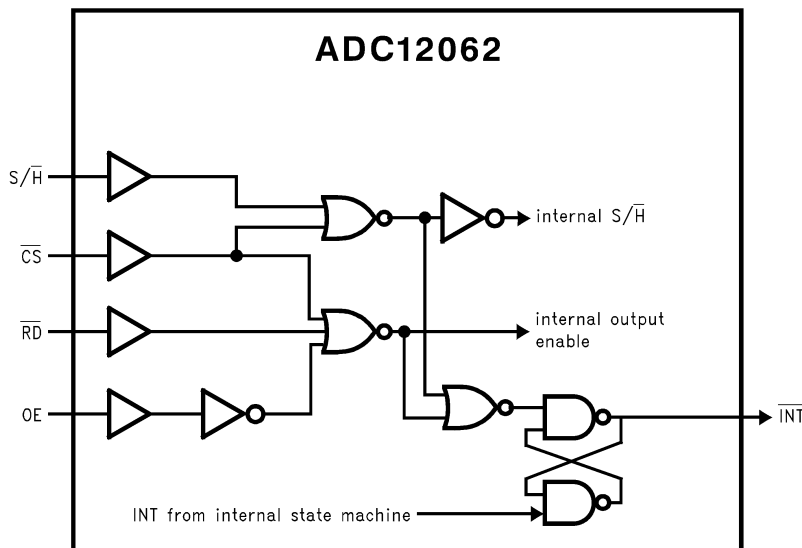


Figure 24. The Capacitive Voltage Divider



**Figure 25. ADC Control Logic**

## THE ANALOG INPUT

The analog input of the ADC12062 can be modeled as two small resistances in series with the capacitance of the input hold capacitor ( $C_{IN}$ ), as shown in Figure 26. The S/H switch is closed during the Sample period, and open during Hold. The source has to charge  $C_{IN}$  to the input voltage within the sample period. Note that the source impedance of the input voltage ( $R_{SOURCE}$ ) has a direct effect on the time it takes to charge  $C_{IN}$ . If  $R_{SOURCE}$  is too large, the voltage across  $C_{IN}$  will not settle to within 0.5 LSBs of  $V_{SOURCE}$  before the conversion begins, and the conversion results will be incorrect. From a dynamic performance viewpoint, the combination of  $R_{SOURCE}$ ,  $R_{MUX}$ ,  $R_{SW}$ , and  $C_{IN}$  form a low pass filter. Minimizing  $R_{SOURCE}$  will increase the frequency response of the input stage of the converter.

Typical values for the components shown in Figure 26 are:  $R_{MUX} = 100\Omega$ ,  $R_{SW} = 100\Omega$ , and  $C_{IN} = 25$  pF. The settling time to  $n$  bits is:

$$t_{SETTLE} = (R_{SOURCE} + R_{MUX} + R_{SW}) * C_{IN} * n * \ln(2). \quad (1)$$

The bandwidth of the input circuit is:

$$f_{-3dB} = 1/(2 * 3.14 * (R_{SOURCE} + R_{MUX} + R_{SW}) * C_{IN}) \quad (2)$$

For maximum performance, the impedance of the source driving the ADC12062 should be made as small as possible. A source impedance of  $100\Omega$  or less is recommended. A plot of dynamic performance vs. source impedance, Figure 16, is given in TYPICAL PERFORMANCE CHARACTERISTICS.

If the signal source has a high output impedance, its output should be buffered with an operational amplifier capable of driving a switched  $25$  pF/ $100\Omega$  load. Any ringing or instabilities at the op amp's output during the sampling period can result in conversion errors. The LM6361 high speed op amp is a good choice for this application due to its speed and its ability to drive large capacitive loads. Figure 27 shows the LM6361 driving the ADC IN input of an ADC12062. The  $100$  pF capacitor at the input of the converter absorbs some of the high frequency transients generated by the S/H switching, reducing the op amp transient response requirements. The  $100$  pF capacitor should only be used with high speed op amps that are unconditionally stable driving capacitive loads.



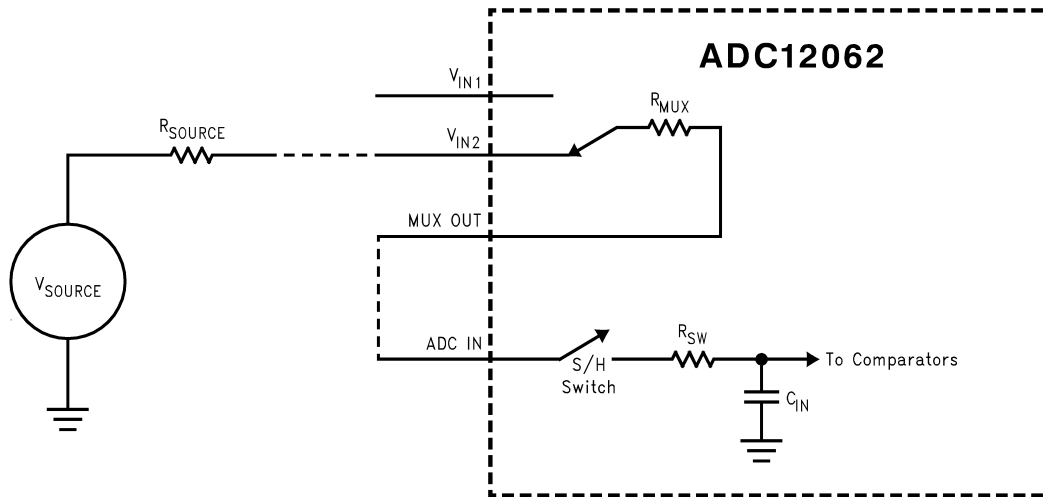


Figure 26. Simplified ADC12062 Input Stage

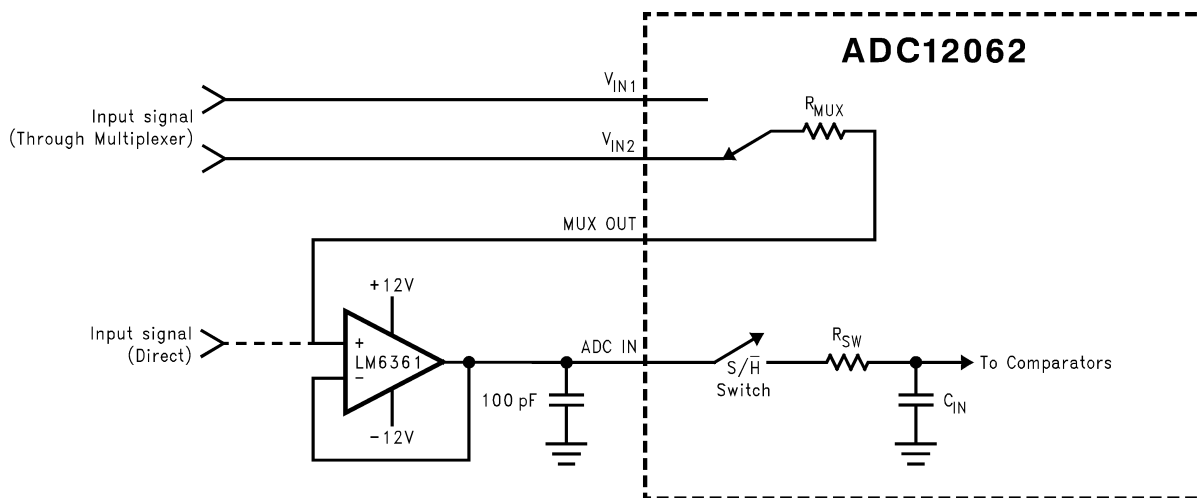


Figure 27. Buffering the Input with an LM6361 High Speed Op Amp

Another benefit of using a high speed buffer is improved THD performance when using the multiplexer of the ADC12062. The MUX on-resistance is somewhat non-linear over input voltage, causing the RC time constant formed by  $C_{IN}$ ,  $R_{MUX}$ , and  $R_{SW}$  to vary depending on the input voltage. This results in increasing THD with increasing frequency. Inserting the buffer between the MUX OUT and the ADC IN terminals as shown in Figure 27 will eliminate the loading on  $R_{MUX}$ , significantly reducing the THD of the multiplexed system.

Correct converter operation will be obtained for input voltages greater than  $AGND - 50\text{ mV}$  and less than  $AV_{CC} + 50\text{ mV}$ . Avoid driving the signal source more than 300 mV higher than  $AV_{CC}$ , or more than 300 mV below  $AGND$ . If an analog input pin is forced beyond these voltages, the current flowing through that pin should be limited to 25 mA or less to avoid permanent damage to the IC. The sum of all the overdrive currents into all pins must be less than 50 mA. When the input signal is expected to extend more than 300 mV beyond the power supply limits for any reason (unknown/uncontrollable input voltage range, power-on transients, fault conditions, etc.) some form of input protection, such as that shown in Figure 28, should be used.

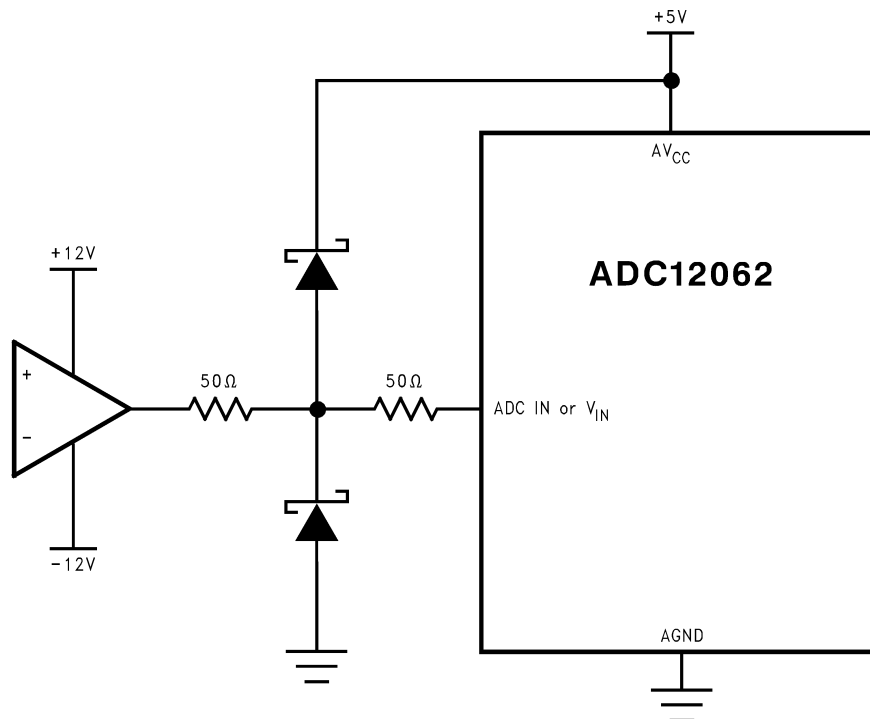


Figure 28. Input Protection

## ANALOG MULTIPLEXER

The ADC12062 has an input multiplexer that is controlled by the logic level on pin S0 when EOC goes low, as shown in Figure 18 and Figure 19. Multiplexer setup and hold times with respect to the S/H input can be determined by these two equations:

$$t_{MS} \text{ (wrt S/H)} = t_{MS} - t_{EOC \text{ (min)}} = 50 - 60 = -10 \text{ ns} \quad (3)$$

$$t_{MH} \text{ (wrt S/H)} = t_{MH} + t_{EOC \text{ (max)}} = 50 + 125 = 175 \text{ ns} \quad (4)$$

Note that  $t_{MS} \text{ (wrt S/H)}$  is a negative number; this indicates that the data on S0 must become valid within 10 ns after S/H goes low in order to meet the setup time requirements. S0 must be valid for a length of

$$(t_{MH} + t_{EOC \text{ (max)}}) - (t_{MS} - t_{EOC \text{ (min)}}) = 185 \text{ ns.} \quad (5)$$

Table 1 shows how the input channels are assigned:

**Table 1. ADC12062 Input Multiplexer Programming**

S0	Channel
0	V <sub>IN1</sub>
1	V <sub>IN2</sub>

The output of the multiplexer is available to the user via the MUX OUT pin. This output allows the user to perform additional signal processing, such as filtering or gain, before the signal is returned to the ADC IN input and digitized. If no additional signal processing is required, the MUX OUT pin should be tied directly to the ADC IN pin.

See [APPLICATIONS](#) for a simple circuit that will alternate between the two inputs while converting at full speed.

## REFERENCE INPUTS

In addition to the fully differential  $V_{REF+}$  and  $V_{REF-}$  reference inputs used on most National Semiconductor ADCs, the ADC12062 has two sense outputs for precision control of the ladder voltage. These sense inputs compensate for errors due to IR drops between the reference source and the ladder itself. The resistance of the reference ladder is typically 750Ω. The parasitic resistance ( $R_p$ ) of the package leads, bond wires, PCB traces, etc. can easily be 0.5Ω to 1.0Ω or more. This may not be significant at 8-bit or 10-bit resolutions, but at 12 bits it can introduce voltage drops causing offset and gain errors as large as 6 LSBs.

The ADC12062 provides a means to eliminate this error by bringing out two additional pins that sense the exact voltage at the top and bottom of the ladder. With the addition of two op amps, the voltages on these internal nodes can be forced to the exact value desired, as shown in Figure 29.

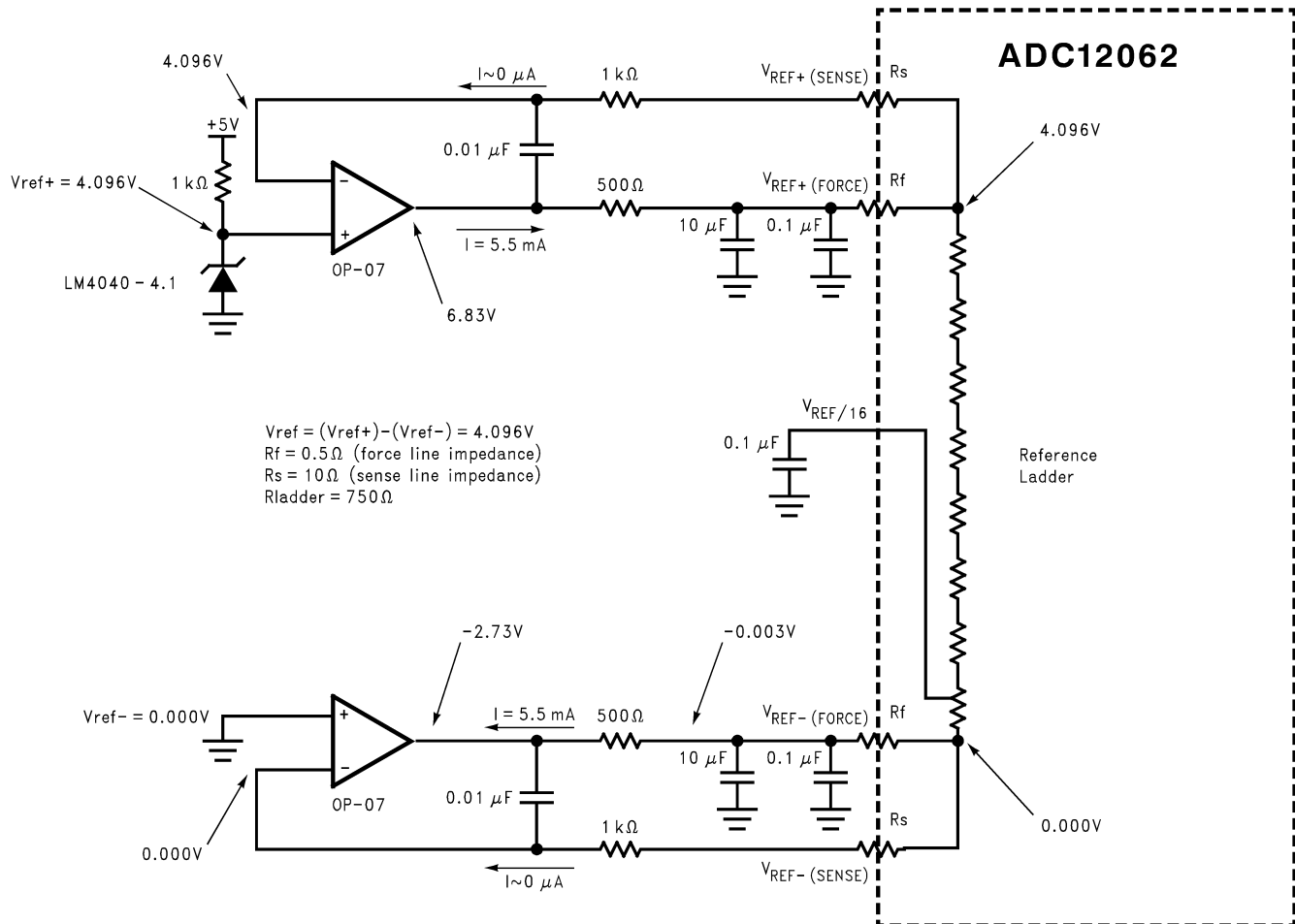


Figure 29. Reference Ladder Force and Sense Inputs

Since the current flowing through the SENSE lines is essentially zero, there is negligible voltage drop across  $R_s$  and the 1 kΩ resistor, so the voltage at the inverting input of the op amp accurately represents the voltage at the top (or bottom) of the ladder. The op amp drives the FORCE input and forces the voltage at the ends of the ladder to equal the voltage at the op amp's non-inverting input, plus or minus its input offset voltage. For this reason op amps with low  $V_{OS}$ , such as the LM627 or LM607, should be used for this application. When used in this configuration, the ADC12062 typically has less than 0.5 LSB of offset and gain error without any user adjustments.

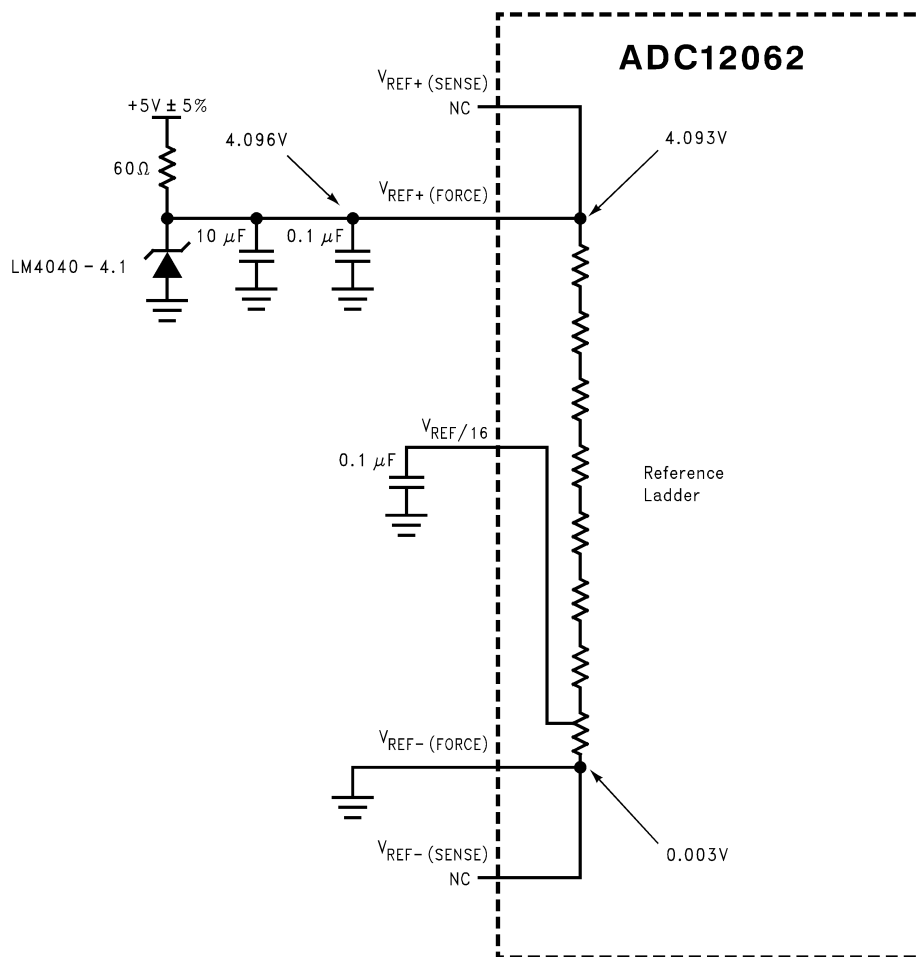
The 0.1  $\mu\text{F}$  and 10  $\mu\text{F}$  capacitors on the force inputs provide high frequency decoupling of the reference ladder. The 500 $\Omega$  force resistors isolate the op amps from this large capacitive load. The 0.01  $\mu\text{F}$ /1 k $\Omega$  network provides zero phase shift at high frequencies to ensure stability. Note that the op amp supplies in this example must be  $\pm 10\text{V}$  to  $\pm 15\text{V}$  to meet the input/output voltage range requirements of the LM627 and supply the sub-zero voltage to the  $V_{\text{REF- (FORCE)}}$  pin. The  $V_{\text{REF}/16}$  output should be by-passed to analog ground with a 0.1  $\mu\text{F}$  ceramic capacitor.

The reference inputs are fully differential and define the zero to full-scale range of the input signal. They can be configured to span up to 5V ( $V_{\text{REF-}} = 0\text{V}$ ,  $V_{\text{REF+}} = 5\text{V}$ ), or they can be connected to different voltages (within the 0V to 5V limits) when other input spans are required. The ADC12062 is tested at  $V_{\text{REF- (SENSE)}} = 0\text{V}$ ,  $V_{\text{REF+ (SENSE)}} = 4.096\text{V}$ . Reducing the reference voltage span to less than 4V increases the sensitivity (reduces the LSB size) of the converter; however noise performance degrades when lower reference voltages are used. A plot of dynamic performance vs reference voltage, [Figure 17](#) is given in [TYPICAL PERFORMANCE CHARACTERISTICS](#).

If the converter will be used in an application where DC accuracy is secondary to dynamic performance, then a simpler reference circuit may suffice. The circuit shown in [Figure 30](#) will introduce several LSBs of offset and gain error, but INL, DNL, and all dynamic specifications will be unaffected.

All bypass capacitors should be located as close to the ADC12062 as possible to minimize noise on the reference ladder. The  $V_{\text{REF}/16}$  output should be bypassed to analog ground with a 0.1  $\mu\text{F}$  ceramic capacitor.

The LM4040 shunt voltage reference is available with a 4.096V output voltage. With initial accuracies as low as  $\pm 0.1\%$ , it makes an excellent reference for the ADC12062.



**Figure 30. Using the  $V_{\text{REF}}$  Force Pins Only**

## POWER SUPPLY CONSIDERATIONS

The ADC12062 is designed to operate from a single +5V power supply. There are two analog supply pins ( $AV_{CC}$ ) and one digital supply pin ( $DV_{CC}$ ). These pins allow separate external bypass capacitors for the analog and digital portions of the circuit. To ensure proper operation of the converter, all three supply pins should be connected to the same voltage source. In systems with separate analog and digital supplies, the converter should be powered from the analog supply.

The ground pins are AGND (analog ground), DGND1 (digital input ground), and DGND2 (digital output ground). These pins allow for three separate ground planes for these sections of the chip. Isolating the analog section from the two digital sections reduces digital interference in the analog circuitry, improving the dynamic performance of the converter. Separating the digital outputs from the digital inputs (particularly the S/H input) reduces the possibility of ground bounce from the 12 data lines causing jitter on the S/H input. The analog ground plane should be connected to the Digital2 ground plane at the ground return for the power supply. The Digital1 ground plane should be tied to the Digital2 ground plane at the DGND1 and DGND2 pins.

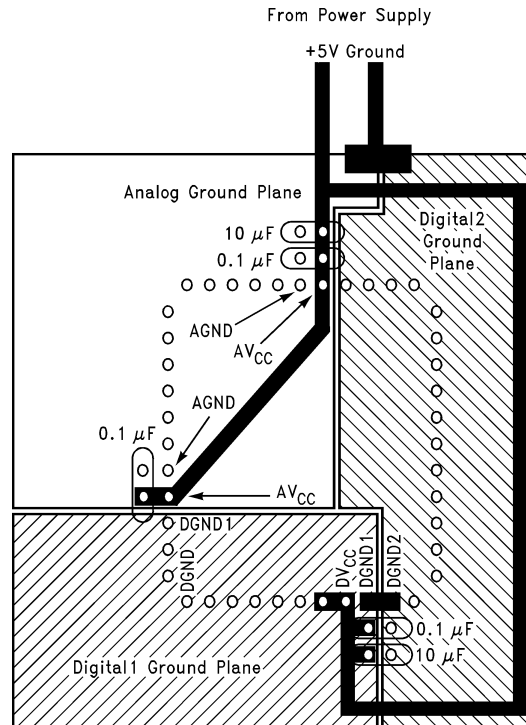
Both  $AV_{CC}$  pins should be bypassed to the AGND ground plane with 0.1  $\mu$ F ceramic capacitors. One of the two  $AV_{CC}$  pins should also be bypassed with a 10  $\mu$ F tantalum capacitor.  $DV_{CC}$  should be bypassed to the DGND2 ground plane with a 0.1  $\mu$ F capacitor in parallel with a 10  $\mu$ F tantalum capacitor.

## LAYOUT AND GROUNDING

In order to ensure fast, accurate conversions from the ADC12062, it is necessary to use appropriate circuit board layout techniques. Separate analog and digital ground planes are required to meet datasheet AC and DC limits. The analog ground plane should be low-impedance and free of noise from other parts of the system.

All bypass capacitors should be located as close to the converter as possible and should connect to the converter and to ground with short traces. The analog input should be isolated from noisy signal traces to avoid having spurious signals couple to the input. Any external component (e.g., a filter capacitor) connected across the converter's input should be connected to a very clean analog ground return point. Grounding the component at the wrong point will result in increased noise and reduced conversion accuracy.

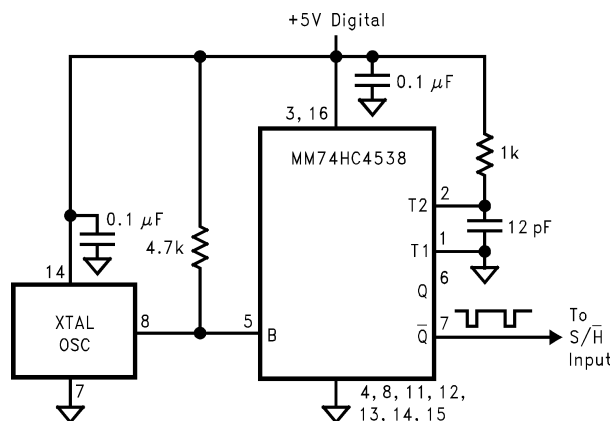
**Figure 31** gives an example of a suitable layout, including power supply routing, ground plane separation, and bypass capacitor placement. All analog circuitry (input amplifiers, filters, reference components, etc.) should be placed on the analog ground plane. All digital circuitry and I/O lines (excluding the S/H input) should use the digital2 ground plane as ground. The digital1 ground plane should only be used for the S/H signal generation.



**Figure 31. PC Board Layout**

## DYNAMIC PERFORMANCE

The ADC12062 is AC tested and its dynamic performance is ensured. In order to meet these specifications, the clock source driving the S/H input must be free of jitter. For the best AC performance, a crystal oscillator is recommended. For operation at or near the ADC12062's 1 MHz maximum sampling rate, a 1 MHz squarewave will provide a good signal for the S/H input. As long as the duty cycle is near 50%, the waveform will be low for about 500 ns, which is within the 550 ns limit. When operating the ADC12062 at a sample rate of 910 kHz or below, the pulse width of the S/H signal must be smaller than half the sample period.



**Figure 32. Crystal Clock Source**

Figure 32 is an example of a low jitter  $S/\bar{H}$  pulse generator that can be used with the ADC12062 and allow operation at sampling rates from DC to 1 MHz. A standard 4-pin DIP crystal oscillator provides a stable 1 MHz squarewave. Since most DIP oscillators have TTL outputs, a 4.7k pullup resistor is used to raise the output high voltage to CMOS input levels. The output is fed to the trigger input (falling edge) of an MM74HC4538 one-shot. The 1k resistor and 12 pF capacitor set the pulse length to approximately 100 ns. The  $S/\bar{H}$  pulse stream for the converter appears on the Q output of the HC4538. This is the  $S/\bar{H}$  clock generator used on the ADC12062EVAL evaluation board. For lower power, a CMOS inverter-based crystal oscillator can be used in place of the DIP crystal oscillator. See Application Note AN-340 in the Texas Instruments CMOS Logic Databook for more information on CMOS crystal oscillators.

### COMMON APPLICATION PITFALLS

**Driving inputs (analog or digital) outside power supply rails.** The [Absolute Maximum Ratings](#) state that all inputs must be between  $GND - 300\text{ mV}$  and  $V_{CC} + 300\text{ mV}$ . This rule is most often broken when the power supply to the converter is turned off, but other devices connected to it (op amps, microprocessors) still have power. Note that if there is no power to the converter,  $DGND = AGND = DV_{CC} = AV_{CC} = 0V$ , so all inputs should be within  $\pm 300\text{ mV}$  of  $AGND$  and  $DGND$ .

**Driving a high capacitance digital data bus.** The more capacitance the data bus has to charge for each conversion, the more instantaneous digital current required from  $DV_{CC}$  and  $DGND$ . These large current spikes can couple back to the analog section, decreasing the SNR of the converter. While adequate supply bypassing and separate analog and digital ground planes will reduce this problem, buffering the digital data outputs (with a pair of MM74HC541s, for example) may be necessary if the converter must drive a heavily loaded databus.

### APPLICATIONS

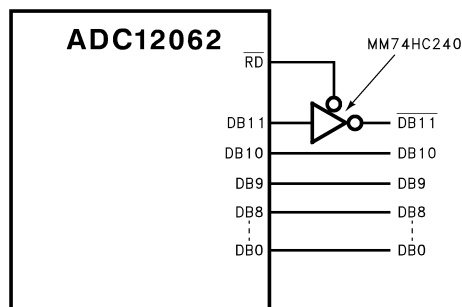


Figure 33. 2's Complement Output

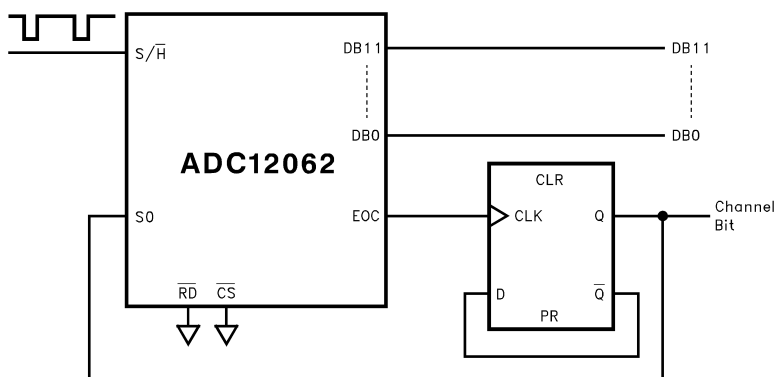
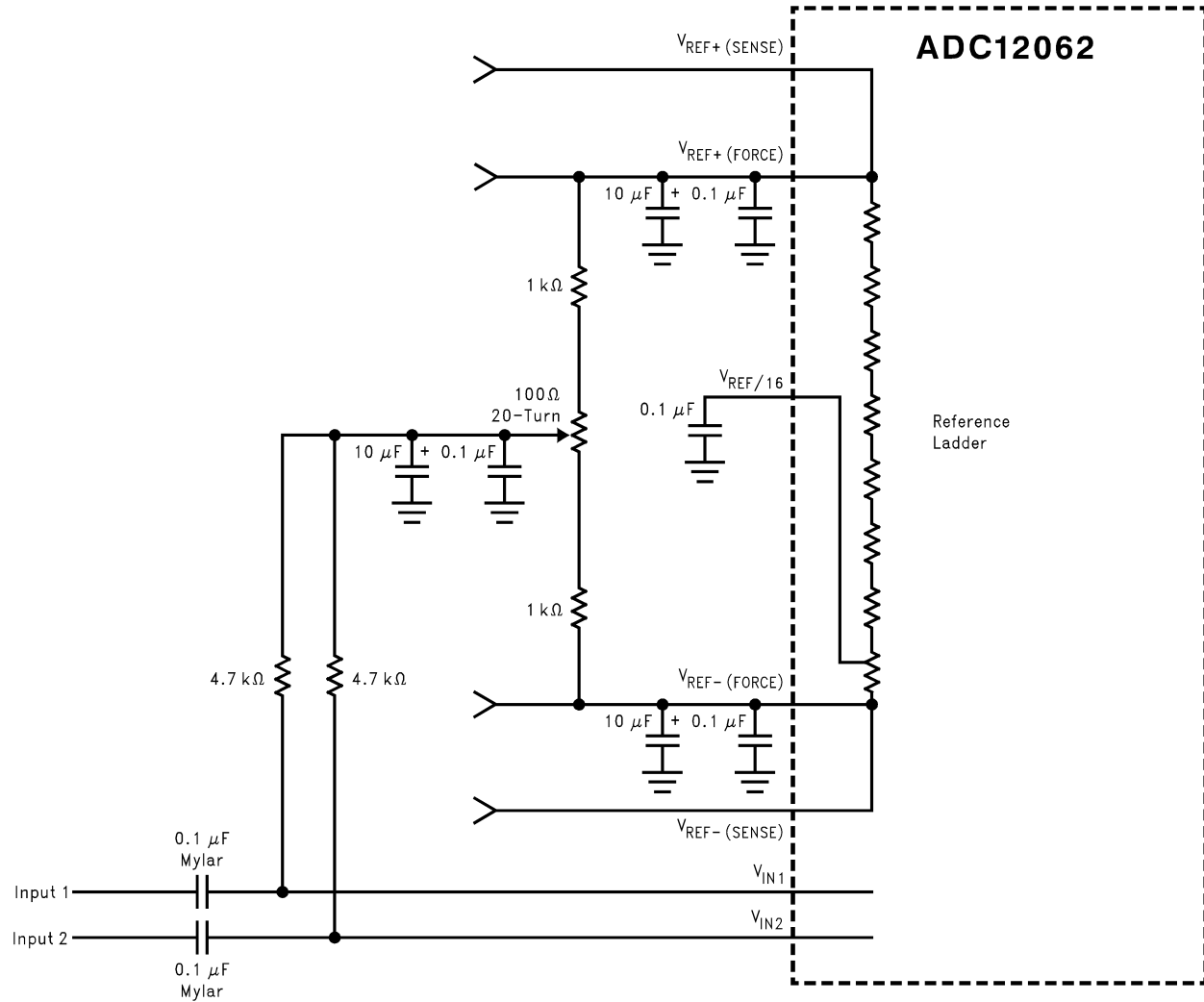


Figure 34. Ping-Pong between  $V_{IN1}$  and  $V_{IN2}$



**Figure 35. AC Coupling Bipolar Inputs**



---

**REVISION HISTORY**

<b>Changes from Revision B (April 2013) to Revision C</b>	<b>Page</b>
• Changed layout of National Data Sheet to TI format .....	<a href="#">23</a>

---

## IMPORTANT NOTICE

Texas Instruments Incorporated and its subsidiaries (TI) reserve the right to make corrections, enhancements, improvements and other changes to its semiconductor products and services per JESD46, latest issue, and to discontinue any product or service per JESD48, latest issue. Buyers should obtain the latest relevant information before placing orders and should verify that such information is current and complete. All semiconductor products (also referred to herein as "components") are sold subject to TI's terms and conditions of sale supplied at the time of order acknowledgment.

TI warrants performance of its components to the specifications applicable at the time of sale, in accordance with the warranty in TI's terms and conditions of sale of semiconductor products. Testing and other quality control techniques are used to the extent TI deems necessary to support this warranty. Except where mandated by applicable law, testing of all parameters of each component is not necessarily performed.

TI assumes no liability for applications assistance or the design of Buyers' products. Buyers are responsible for their products and applications using TI components. To minimize the risks associated with Buyers' products and applications, Buyers should provide adequate design and operating safeguards.

TI does not warrant or represent that any license, either express or implied, is granted under any patent right, copyright, mask work right, or other intellectual property right relating to any combination, machine, or process in which TI components or services are used. Information published by TI regarding third-party products or services does not constitute a license to use such products or services or a warranty or endorsement thereof. Use of such information may require a license from a third party under the patents or other intellectual property of the third party, or a license from TI under the patents or other intellectual property of TI.

Reproduction of significant portions of TI information in TI data books or data sheets is permissible only if reproduction is without alteration and is accompanied by all associated warranties, conditions, limitations, and notices. TI is not responsible or liable for such altered documentation. Information of third parties may be subject to additional restrictions.

Resale of TI components or services with statements different from or beyond the parameters stated by TI for that component or service voids all express and any implied warranties for the associated TI component or service and is an unfair and deceptive business practice. TI is not responsible or liable for any such statements.

Buyer acknowledges and agrees that it is solely responsible for compliance with all legal, regulatory and safety-related requirements concerning its products, and any use of TI components in its applications, notwithstanding any applications-related information or support that may be provided by TI. Buyer represents and agrees that it has all the necessary expertise to create and implement safeguards which anticipate dangerous consequences of failures, monitor failures and their consequences, lessen the likelihood of failures that might cause harm and take appropriate remedial actions. Buyer will fully indemnify TI and its representatives against any damages arising out of the use of any TI components in safety-critical applications.

In some cases, TI components may be promoted specifically to facilitate safety-related applications. With such components, TI's goal is to help enable customers to design and create their own end-product solutions that meet applicable functional safety standards and requirements. Nonetheless, such components are subject to these terms.

No TI components are authorized for use in FDA Class III (or similar life-critical medical equipment) unless authorized officers of the parties have executed a special agreement specifically governing such use.

Only those TI components which TI has specifically designated as military grade or "enhanced plastic" are designed and intended for use in military/aerospace applications or environments. Buyer acknowledges and agrees that any military or aerospace use of TI components which have **not** been so designated is solely at the Buyer's risk, and that Buyer is solely responsible for compliance with all legal and regulatory requirements in connection with such use.

TI has specifically designated certain components as meeting ISO/TS16949 requirements, mainly for automotive use. In any case of use of non-designated products, TI will not be responsible for any failure to meet ISO/TS16949.

### Products

Audio	<a href="http://www.ti.com/audio">www.ti.com/audio</a>
Amplifiers	<a href="http://amplifier.ti.com">amplifier.ti.com</a>
Data Converters	<a href="http://dataconverter.ti.com">dataconverter.ti.com</a>
DLP® Products	<a href="http://www.dlp.com">www.dlp.com</a>
DSP	<a href="http://dsp.ti.com">dsp.ti.com</a>
Clocks and Timers	<a href="http://www.ti.com/clocks">www.ti.com/clocks</a>
Interface	<a href="http://interface.ti.com">interface.ti.com</a>
Logic	<a href="http://logic.ti.com">logic.ti.com</a>
Power Mgmt	<a href="http://power.ti.com">power.ti.com</a>
Microcontrollers	<a href="http://microcontroller.ti.com">microcontroller.ti.com</a>
RFID	<a href="http://www.ti-rfid.com">www.ti-rfid.com</a>
OMAP Applications Processors	<a href="http://www.ti.com/omap">www.ti.com/omap</a>
Wireless Connectivity	<a href="http://www.ti.com/wirelessconnectivity">www.ti.com/wirelessconnectivity</a>

### Applications

Automotive and Transportation	<a href="http://www.ti.com/automotive">www.ti.com/automotive</a>
Communications and Telecom	<a href="http://www.ti.com/communications">www.ti.com/communications</a>
Computers and Peripherals	<a href="http://www.ti.com/computers">www.ti.com/computers</a>
Consumer Electronics	<a href="http://www.ti.com/consumer-apps">www.ti.com/consumer-apps</a>
Energy and Lighting	<a href="http://www.ti.com/energy">www.ti.com/energy</a>
Industrial	<a href="http://www.ti.com/industrial">www.ti.com/industrial</a>
Medical	<a href="http://www.ti.com/medical">www.ti.com/medical</a>
Security	<a href="http://www.ti.com/security">www.ti.com/security</a>
Space, Avionics and Defense	<a href="http://www.ti.com/space-avionics-defense">www.ti.com/space-avionics-defense</a>
Video and Imaging	<a href="http://www.ti.com/video">www.ti.com/video</a>

### TI E2E Community

[e2e.ti.com](http://e2e.ti.com)