

HMT25 Absolute Multi-Turn Encoder



35 20 16 .47 25-9 2.3.1



The HMT25 geared multi-turn encoder provides absolute position information over multiple turns of the input shaft. It keeps track of the exact position even during periods of power loss without the need for a battery backup. The HMT25 series is capable of outputs up to 4096 counts per turn and can count up to 4096 turns—a total of 24 bits or 16,777,216 positions. Units are enclosed in a 2.5-inch diameter sealed package to withstand rugged environments and they carry an IP 66 environmental rating. These encoders meet the long travel and high resolution requirements of robotics, rolling mills, rotary tables, cable winding, printing, converting and material handling systems.

The H25 Incremental Encoder is available with the following certification:

EN 55011 and EN 61000-6-2

Mechanical Specifications

- Shaft Diameter:** 0.375" (0.5" optional)
- Flat on Shaft:** 0.80" long x 0.030" deep
- Shaft Loading:** 40 lbs axial, 36 lbs radial (90 lbs axial and 80 lbs radial with 0.5" shaft)
- Shaft Runout:** 0.0005 TIR at midpoint of shaft
- Starting Torque at 25°C:** 2.5 in-oz (max)
- Bearings:** Dual, preloaded, Class ABEC 7
- Shaft Material:** 416 stainless steel
- Bearing Housing:** Die cast aluminum with protective finish
- Cover:** Die cast aluminum
- Bearing Life:** 1 x 10¹⁰ at 10% rated load
- Maximum RPM:** 6,000 (see frequency response, below)
- Moment of Inertia:** 4.3 x 10⁻⁴ oz-in-sec²
- Weight:** 16 oz nominal

Electrical Specifications

- Code:** Natural binary, gray code or SSI
- Counts per Shaft Turn:** 4096, 12 bits
- Number of Turns:** up to 4096, 12 bits
- Supply Voltage:** 5–28 VDC
- Current Requirements:** 130 mA typical + load, 250mA (max)
- Voltage/Output:** (See note 3)
28V/V: Line Driver, 5–28 VDC in, V_{out} = V_{in}
28V/5: Line Driver, 5–28 VDC in, V_{out} = 5 VDC
28V/OC: Open Collector, 5–28 VDC in, OC_{out}
SSI: 5–28 VDC_{in}/5V_{out} (see back page)
- Frequency Response:** 100 kHz
- Protection Level:** Overvoltage, reverse voltage. Outputs short-circuit protected (1 minute max)
- Output Termination Pinouts:** See Tables, back page

Environmental Specifications

- Enclosure Rating:** IP66
- Temperature:** Operating, 0° to 70° C; Extended, -40° to +85°C; Storage, -20° to 90° C (to -40° if extended range is called out)
- Shock:** 50 g's 11 msec
- Vibration:** 5 to 2000 Hz @ 20 g's (see special note back page)
- Humidity:** 98% Non-condensing

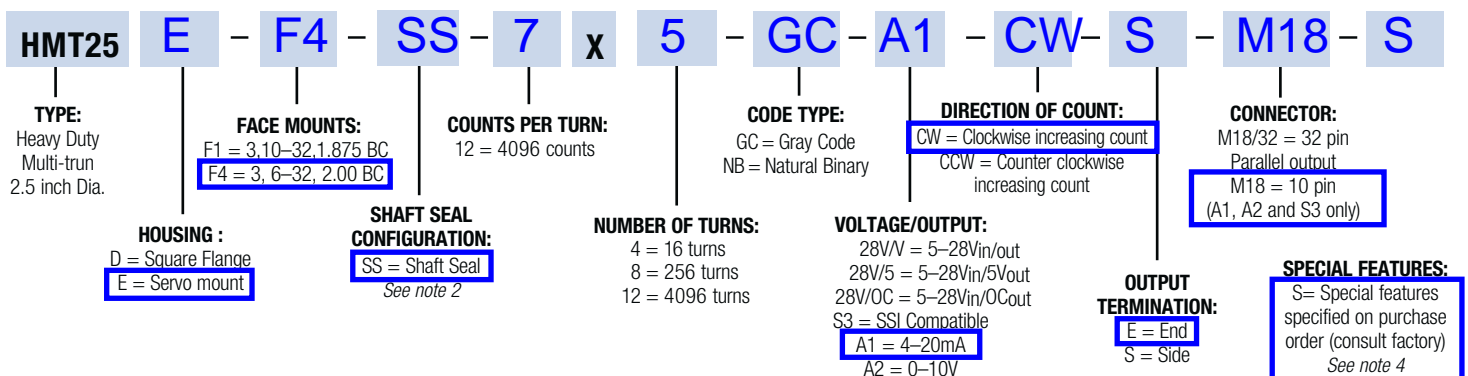
NOTES & TABLES: All notes and tables referred to in the text can be found on the back of this page.

HMT25 Multi-Turn Encoder Ordering Options

FOR ASSISTANCE CALL 800-350-2727

Use this diagram, working from left to right to construct your model number (example: HMT25D-SS-12X12GC-28V/V-CW-SM18/32).

All notes and tables referred to can be found on the back of this page.



Tel: 805-968-0782 / 800-350-2727 | Fax: 805-968-3154 / 800-960-2726
7230 Hollister Ave., Goleta, CA 93117-2807 | www.beisensors.com

Specification No. 02083-001 Rev.08-11

Tables and Figures

HMT25 Output Terminations for Parallel Output

PIN	FUNCTION ^a	PIN	FUNCTION ^a	PIN	FUNCTION ^a	PIN	FUNCTION ^a
A	T11 (MSB)	J	T3	T	F7	b	N/C
B	T10	K	T2	U	F6	c	LATCH
C	T9	L	T1	V	F5	d	DIR CONTROL
D	T8	M	T0 (LSB)	W	F4	e	ENABLE (Optional)
E	T7	N	F11 (MSB)	X	F3	f	N/C
F	T6	P	F10	Y	F2	g	0 V
G	T5	R	F9	Z	F1	h	+V
H	T4	S	F8	a	F0 (LSB)	j	CASE GND

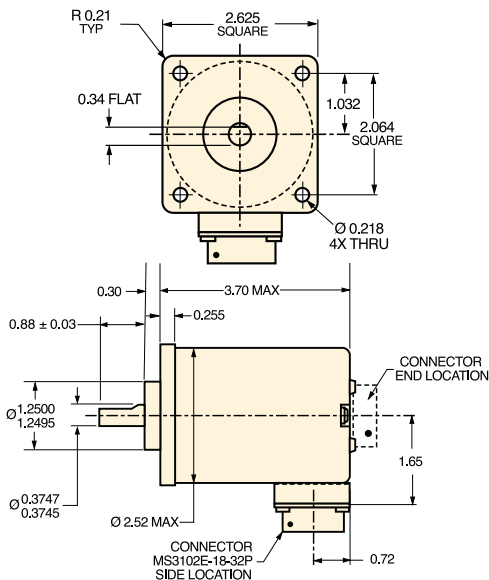
(1) Parallel output uses a MS3112E18-32P, 32 Pin connector on the encoder body (2) TXX = Turns counts, FXX = Fine resolution counts

HMT25 Output Terminations for Optional 24 Bit SSI Output

FUNCTION	CABLE	CONNECTOR*	TERM BOARD (H38 & H40 ONLY)	
			H38	H40
DATA+	YEL	A	4	1
DATA-	WHT/YEL	H	7	7
CLOCK+	BLU	B	5	2
CLOCK-	WHT/BLU	I	8	8
DIRECTION OF COUNT	ORN	C	6	3
ENABLE (Optional)	VIOLET	E	9	—
RESET (Optional)	WHT/ORN	J	10	9
+V (SUPPLY VOLTAGE)	RED	D	3	4
0 V (CIRCUIT COMMON)	BLK	F	2	5
CASE GROUND	GRN	G	1	6

*Connector is an MS3102E18-1P, 10-pin connector on the encoder body and mates to an MS3106F18-1S connector or can be used with a standard cable/connector assembly, BEI part 924-31186-18XX. (Where XX = 10, 20, or 30 for a 10, 20 or 30 foot cable length.)

Dimensions



Special note on vibration testing:

Test profile is 0.3 g's ramp to 20 g's from 5 to 40 Hz and 20 g's from 40 Hz to 2000 Hz.

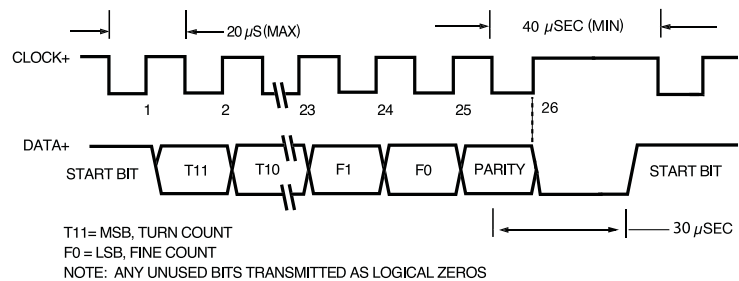
Direction of Count: The HMT25 comes standard with a Direction of Count bit. Normal operation is CW increasing count when viewed from the shaft end. This pin is normally pulled HI internally. To reverse the count direction, this pin must be pulled LO (Circuit Common). Optionally this can be designated as CCW increasing count when HI, in which case LO will be CW increasing count.

Latch: Outputs are active and provide continuous information when this pin is HI. When this pin is pulled LO (Circuit Common) the outputs are latched at the logic state that is present when the latch is applied and will stay latched until this pin is no longer LO. This pin is pulled HI internally.

Enable (optional): This option allows the operator to momentarily deactivate the outputs from the encoder. This may be useful in instances where the outputs from several different encoders must be sampled independently. Output is active when this pin is HI. When pulled LO (Circuit Common) all outputs go to high impedance state (Tri-state) and are inactive until the LO state is removed. This pin is pulled HI internally. To order this option on the HMT25 make sure the model number has -S on the end, followed by the description, -S = output enable.

RESET (Optional): The Reset pin (Pin J) is normally HI and is pulled up internally to the positive supply voltage. To activate the Reset function, Pin J must be pulled LO by connecting it to signal common for 1 second or greater. This causes the present encoder position to be stored into non-volatile memory as an offset value and the output of the encoder is then set to the value of "0". The encoder will retain this offset even if the power is turned off and on again. A new "0" position can be set by rotating the encoder shaft to a new position and then activating the Reset pin again. To order this option for the HMT25, make sure the model number has -S on the end followed by the description, -S = Reset.

24 Bit, SSI Compatible Output Timing



T11= MSB, TURN COUNT

F0 = LSB, FINE COUNT

NOTE: ANY UNUSED BITS TRANSMITTED AS LOGICAL ZEROS

Notes

1. Mounting is usually done either using the D-style square flange mount, E- or G-style servo mounts, or one of the standard face mounts, F1 for example. Consult factory for additional face mount options.

2. The shaft seal is recommended in virtually all installations. The most common exceptions are applications requiring a very low starting torque or those requiring operation at both high temperature and high speed.

3. **Output IC's:** Output IC's are available as either Line Driver (LD) or NPN Open Collector (OC) types. Open Collectors require pull-up resistors, resulting in higher output source impedance (sink impedance is similar to that of line drivers). In general, use of a Line Driver style output is recommended. Line Drivers source or sink current and their lower impedance mean better noise immunity and faster switching times. **Warning:** Do not connect any line driver outputs directly to circuit common/OV, which may damage the driver. Unused outputs should be isolated and left floating. Our applications specialists would be pleased to discuss your system requirements and the compatibility of your receiving electronics with Line Driver type outputs.

28V/V: Multi-voltage Line Driver (7272*): 100 mA source/sink. Input voltage 5 to 28 VDC +/- 5% standard (Note: $V_{out} = V_{in}$). This driver is TTL compatible when used with 5 volt supply. Supply lines are protected against overvoltage to 60 volts and reverse voltage. Outputs are short circuit protected for one minute. Supply current is 120 mA typical (plus load current). This is

the recommended replacement for 3904R and 7406R open collector outputs with internal pullup resistors. It is also a direct replacement for any 4469, 88C30, 8830 or 26LS31 line driver.

28V/5: Multi-voltage Line Driver (7272*): 100 mA source/sink. Input voltage 5 to 28 VDC +/- 5% standard, internally regulated with 5V (TTL compatible) logic out. Supply lines are protected against overvoltage to 60 volts and reverse voltage. Outputs are short circuit protected for one minute. Supply current is 90 mA typical (plus load current). **Note:** Limit encoder load to 2.5W max at ambient. Example at 12 VDC: $2.5W / (+12VDC \text{ minus } +5VDC) = 357 \text{ mA}$ total allowed current. Consult factory for your specific requirements.

28V/OC: NPN Open Collector (3904*, 7273*). Current sink of 80 mA max. Current sourced by external pull-up resistor. Output can be pulled up to voltage other than supply voltage (30 V max). Input voltage 5 to 28 VDC +/- 5% standard. Supply current is 120 mA typical. This replaces prior IC's with designations of 3904, 7406, 3302, 681 and 689.

4. Special -S at the end of the model number is used to define a variety of non-standard features such as special shaft lengths, voltage options, or special testing. Please consult the factory to discuss your special requirements.

* Products manufactured prior to April 2007 used the line driver IC number instead of voltage output in model number.