



CPRI v7.0 IP Core User Guide

Updated for Intel® Quartus® Prime Design Suite: **17.1**



Contents

- 1. About the CPRI v7.0 IP Core..... 5**
 - 1.1. CPRI v7.0 IP Core Supported Features.....6
 - 1.2. CPRI v7.0 IP Core Device Family and Speed Grade Support..... 7
 - 1.2.1. Device Family Support.....7
 - 1.2.2. CPRI v7.0 IP Core Performance: Device and Transceiver Speed Grade Support.....8
 - 1.3. IP Core Verification..... 9
 - 1.4. Resource Utilization for CPRI v7.0 IP Cores..... 9
 - 1.5. Release Information..... 11

- 2. Getting Started with the CPRI v7.0 IP Core..... 12**
 - 2.1. Installation and Licensing.....12
 - 2.2. Generating CPRI v7.0 IP Cores..... 13
 - 2.3. CPRI v7.0 IP Core File Structure..... 14
 - 2.4. CPRI v7.0 IP Core Parameters..... 17
 - 2.5. Integrating Your IP Core in Your Design: Required External Blocks.....24
 - 2.5.1. Adding the Transceiver TX PLL IP Core..... 25
 - 2.5.2. Adding the Reset Controller.....27
 - 2.5.3. Adding the Transceiver Reconfiguration Controller..... 29
 - 2.5.4. Adding the Off-Chip Clean-Up PLL..... 30
 - 2.5.5. Adding and Connecting the Single-Trip Delay Calibration Blocks.....30
 - 2.6. Simulating Intel FPGA IP Cores..... 32
 - 2.7. Understanding the Testbench.....32
 - 2.8. Running the Testbench..... 33
 - 2.9. Compiling the Full Design and Programming the FPGA..... 35

- 3. Functional Description..... 36**
 - 3.1. Interfaces Overview..... 36
 - 3.2. CPRI v7.0 IP Core Clocking Structure.....38
 - 3.2.1. Example CPRI v7.0 Clock Connections in Different Clocking Modes.....41
 - 3.3. CPRI v7.0 IP Core Reset Requirements..... 44
 - 3.4. Start-Up Sequence Following Reset..... 47
 - 3.4.1. Start-Up Sequence Interface Signals..... 49
 - 3.5. AUX Interface.....50
 - 3.5.1. AUX Interface Signals.....51
 - 3.5.2. AUX Interface Synchronization.....58
 - 3.5.3. Auxiliary Latency Cycles.....58
 - 3.5.4. Direct Interface CPRI Frame Data Format.....59
 - 3.6. Direct IQ Interface..... 62
 - 3.7. Ctrl_AxC Interface..... 63
 - 3.8. Direct Vendor Specific Access Interface..... 65
 - 3.9. Real-Time Vendor Specific Interface.....67
 - 3.10. Direct HDLC Serial Interface..... 69
 - 3.11. Direct L1 Control and Status Interface..... 70
 - 3.12. L1 Debug Interface.....73
 - 3.13. Media Independent Interface (MII) to External Ethernet Block..... 74
 - 3.14. Gigabit Media Independent Interface (GMII) to External Ethernet Block..... 76
 - 3.15. CPU Interface to CPRI v7.0 IP Core Registers..... 78



3.15.1. CPU Interface Signals.....	79
3.15.2. Accessing the Hyperframe Control Words.....	80
3.16. Auto-Rate Negotiation.....	85
3.17. Extended Delay Measurement.....	85
3.17.1. Extended Delay Measurement for Soft Internal Buffers.....	86
3.17.2. Extended Delay Measurement for Intel Stratix 10 Hard FIFOs.....	87
3.17.3. Extended Delay Measurement Interface.....	88
3.18. Deterministic Latency and Delay Measurement and Calibration.....	88
3.18.1. Delay Measurement and Calibration Features.....	88
3.18.2. Delay Requirements.....	89
3.18.3. Single-Hop Delay Measurement.....	90
3.18.4. Multi-Hop Delay Measurement.....	92
3.18.5. Delay Calibration Features.....	93
3.19. CPRI v7.0 IP Core Transceiver and Transceiver Management Interfaces.....	98
3.19.1. CPRI Link.....	98
3.19.2. Main Transceiver Clock and Reset Signals.....	98
3.19.3. Arria V, Arria V GZ, Cyclone V, and Stratix V Transceiver Reconfiguration Interface.....	99
3.19.4. Intel Arria 10 and Intel Stratix 10 Transceiver Reconfiguration Interface.....	100
3.19.5. RS-FEC Interface.....	102
3.19.6. Interface to the External Reset Controller.....	103
3.19.7. Interface to the External PLL.....	103
3.19.8. Transceiver Debug Interface.....	104
3.20. Testing Features.....	104
3.20.1. CPRI v7.0 IP Core Loopback Modes.....	105
3.20.2. CPRI v7.0 IP Core Self-Synchronization Feature.....	105
4. CPRI v7.0 IP Core Signals.....	107
4.1. CPRI v7.0 IP Core L2 Interface.....	107
4.2. CPRI v7.0 IP Core L1 Direct Access Interfaces.....	108
4.3. CPRI v7.0 IP Core Management Interfaces.....	110
4.4. CPRI v7.0 IP Core Transceiver and Transceiver Management Signals.....	112
5. CPRI v7.0 IP Core Registers.....	114
5.1. INTR Register.....	116
5.2. L1_STATUS Register.....	116
5.3. L1_CONFIG Register.....	117
5.4. BIT_RATE_CONFIG Register.....	118
5.5. PROT_VER Register.....	118
5.6. TX_SCR Register.....	119
5.7. RX_SCR Register.....	119
5.8. CM_CONFIG Register.....	119
5.9. CM_STATUS Register.....	120
5.10. START_UP_SEQ Register	120
5.11. START_UP_TIMER Register.....	121
5.12. FLSAR Register.....	122
5.13. CTRL_INDEX Register.....	122
5.14. TX_CTRL Register.....	123
5.15. RX_CTRL Register.....	123
5.16. RX_ERR Register.....	124
5.17. RX_BFN Register.....	124
5.18. LOOPBACK Register.....	124



- 5.19. TX_DELAY Register..... 125
- 5.20. RX_DELAY Register..... 126
- 5.21. TX_EX_DELAY Register..... 126
- 5.22. RX_EX_DELAY Register..... 127
- 5.23. ROUND_TRIP_DELAY Register..... 127
- 5.24. XCVR_BITSLIP Register..... 127
- 5.25. DELAY_CAL_STD_CTRL1 Register..... 128
- 5.26. DELAY_CAL_STD_CTRL2 Register..... 129
- 5.27. DELAY_CAL_STD_CTRL3 Register..... 129
- 5.28. DELAY_CAL_STD_CTRL4 Register..... 130
- 5.29. DELAY_CAL_STD_CTRL5 Register..... 130
- 5.30. DELAY_CAL_STD_STATUS Register..... 131
- 5.31. DELAY_CAL_RTD Register..... 131
- 5.32. XCVR_TX_FIFO_DELAY Register..... 132
- 5.33. XCVR_RX_FIFO_DELAY Register..... 132
- A. Additional Information..... 133**
 - A.1. CPRI v7.0 IP Core User Guide Archives..... 133
 - A.2. Document Revision History for the CPRI v7.0 IP Core User Guide.....133

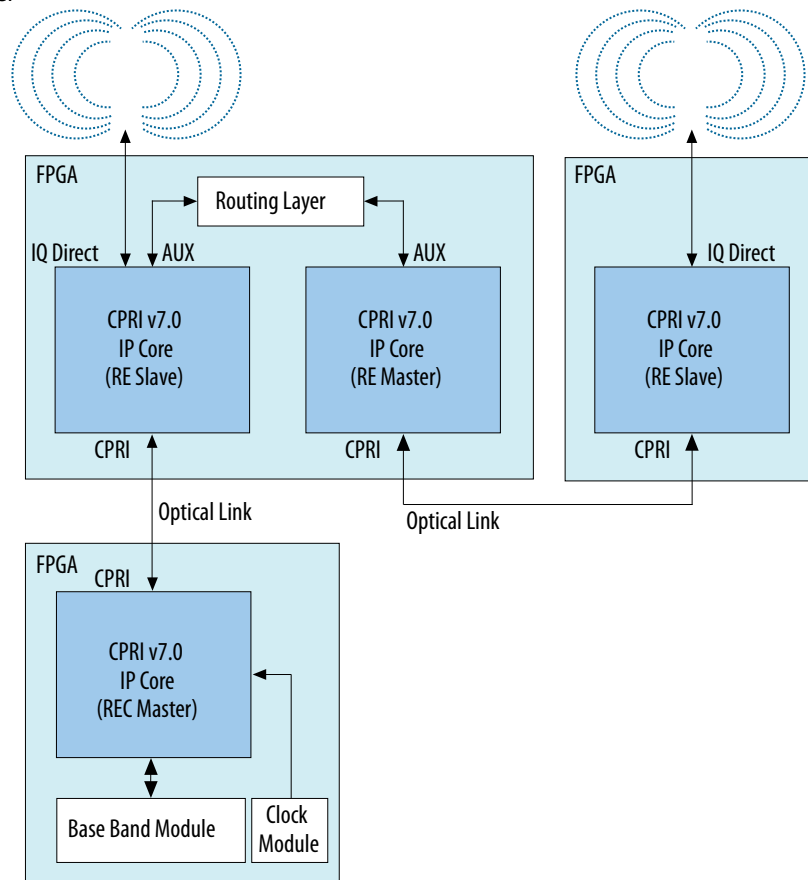
1. About the CPRI v7.0 IP Core

The Common Public Radio Interface (CPRI) v7.0 Intel® FPGA IP core implements the *CPRI Specification V7.0 (2015-10-09)*. CPRI is a high-speed serial interface for network radio equipment controllers (REC) to receive data from and provide data to remote radio equipment (RE).

The CPRI v7.0 IP core targets high-performance, remote radio network applications. You can configure the CPRI v7.0 IP core as an RE or an REC.

Figure 1. Typical CPRI Application on Intel FPGA Devices

Example system implementation with a two-hop daisy chain. Optical links between devices support high performance.





1.1. CPRI v7.0 IP Core Supported Features

The CPRI v7.0 IP core offers the following features:

- Compliant with the *Common Public Radio Interface (CPRI) Specification v7.0 (2015-10-09) Interface Specification* available on the CPRI Industry Initiative website (www.cpri.info).
- Supports radio equipment controller (REC) and radio equipment (RE) module configurations.
- Configurable CPRI communication line bit rate (to 0.6144, 1.2288, 2.4576, 3.0720, 4.9152, 6.144, 8.11008, 9.8304, 10.1376, 12.16512 or 24.33024 Gbps) using Intel FPGA on-chip high-speed transceivers.
- CPRI line bit rate auto-rate negotiation support.
- CPRI IP core variations that target an Intel Stratix® 10 device with 24.33024 Gbps line rate includes a Reed-Solomon Forward Error Correction (RS-FEC) block. This block corrects the errors on receiver side.
- Configurable and run-time programmable synchronization mode: master port or slave port on a CPRI link.
- Scrambling and descrambling at 8.11008, 10.1376, 12.16512 and 24.33024 Gbps.
- Optional scrambling and descrambling at 4.9152, 6.1440, and 9.8304 Gbps.
- Transmitter (Tx) and receiver (Rx) deterministic latency and delay measurement and calibration.

Note: Compliant with the CPRI v7.0 Specification requirements R-19, R-20, R-20A, R-21, and R-21A.

- Optional support for single-trip delay calibration.
- Optional round-trip delay calibration.
- L1 link status and alarm (Z.130.0) control and status monitoring.
- Access to all Vendor Specific data.
- Diagnostic parallel reverse loopback paths.
- Diagnostic serial and parallel forward loopback paths.
- Diagnostic stand-alone slave testing mode.
- Register access interface to external or on-chip processor, using the Intel Avalon® Memory-Mapped (Avalon-MM) interconnect specification.
- Optional auxiliary (AUX) interface for full access to raw CPRI frame. Provides direct access to full radioframe, synchronizes the frame position with timing references, and enables routing application support from slave to master ports to implement daisy-chain topologies.
- Optional choice of IEEE 802.3 100BASE-X compliant 10/100 Mbps MII or 1000BASE-X compliant 1Gbps GMII for Ethernet frame access.
- Optional direct I/Q access interface enables integration of all user-defined air standard I/Q mapping schemes.
- Optional external I/Q mapper and demapper modules with reference design support.
- Optional external I/Q compression and decompression modules with reference design support.



- Optional vendor specific data access interfaces provide direct access to Vendor Specific (VS), Control AxC (Ctrl_AxC), and Real-time Vendor Specific (RTVS) subchannels.
- Optional HDLC serial interface provides direct access to slow control and management subchannels.
- Optional L1 inband interface provides direct access to Z.130.0 link status and alarm control word.

Related Information

- [CPRI Industry Initiative website](#)
For a detailed specification of the CPRI protocol refer to the *CPRI Specification v7.0 (2015-10-09) Interface Specification* available on the CPRI Industry Initiative website.
- [Intel FPGA Wiki CPRI IP Releases & Support](#)
Includes links to the releases, license information, I/Q mapper and other CPRI v7.0 IP core reference designs.
- [Intel FPGA Design Store](#)
Includes CPRI reference designs.

1.2. CPRI v7.0 IP Core Device Family and Speed Grade Support

The following sections list the device family and device speed grade support offered by the CPRI v7.0 IP core:

1.2.1. Device Family Support

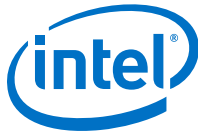
Table 1. Intel FPGA IP Core Device Support Levels

Device Support Level	Definition
Advance	The IP core is available for simulation and compilation for this device family. Timing models include initial engineering estimates of delays based on early post-layout information. The timing models are subject to change as silicon testing improves the correlation between the actual silicon and the timing models. You can use this IP core for system architecture and resource utilization studies, simulation, pinout, system latency assessments, basic timing assessments (pipeline budgeting), and I/O transfer strategy (datapath width, burst depth, I/O standards tradeoffs).
Preliminary	Intel has verified the IP core with preliminary timing models for this device family. The IP core meets all functional requirements, but might still be undergoing timing analysis for the device family. It can be used in production designs with caution.
Final	Intel has verified the IP core with final timing models for this device family. The IP core meets all functional and timing requirements for the device family and can be used in production designs.

Table 2. CPRI v7.0 IP Core Device Family Support

Shows the level of support offered by the CPRI v7.0 IP core for each Intel FPGA device family.

Device Family	Support
Intel Stratix 10	Advance
Intel Arria® 10	Default support level provided in the Intel Quartus® Prime software. Refer to the <i>Quartus Prime Standard Edition Software and Device Support Release Notes</i> and the <i>Quartus Prime Pro Edition Software and Device Support Release Notes</i> for the relevant software release.
<i>continued...</i>	



Device Family	Support
Arria V (GX and GT)	Default support level provided in Intel Quartus Prime Standard Edition software. Refer to the <i>Quartus Prime Standard Edition Software and Device Support Release Notes</i> for the relevant software release.
Arria V GZ	Default support level provided in Intel Quartus Prime Standard Edition software. Refer to the <i>Quartus Prime Standard Edition Software and Device Support Release Notes</i> for the relevant software release.
Cyclone V (GX and GT)	Default support level provided in Intel Quartus Prime Standard Edition software. Refer to the <i>Quartus Prime Standard Edition Software and Device Support Release Notes</i> for the relevant software release.
Stratix V (GX and GT)	Default support level provided in Intel Quartus Prime Standard Edition software. Refer to the <i>Quartus Prime Standard Edition Software and Device Support Release Notes</i> for the relevant software release.
Other device families	No support

Related Information

- [CPRI v7.0 IP Core Performance: Device and Transceiver Speed Grade Support](#) on page 8
- [Timing and Power Models](#)
Reports the default device support levels in the current version of the Intel Quartus Prime Standard Edition software.
- [Timing and Power Models](#)
Reports the default device support levels in the current version of the Intel Quartus Prime Pro Edition software.

1.2.2. CPRI v7.0 IP Core Performance: Device and Transceiver Speed Grade Support

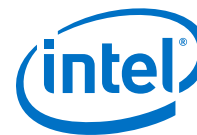
Table 3. Slowest Supported Device Speed Grade and Supported Transceiver Speed Grade

Lower device speed grade numbers correspond to faster devices. The entry -x indicates that both the industrial speed grade Ix and the commercial speed grade Cx are supported for this device family and CPRI line bit rate. Table entries show slowest supported device speed grade / supported transceiver speed grade.

Device Family	CPRI Line Bit Rate (Gbps)											
	0.6144	1.2288	2.4576	3.072	4.9152	6.1440	8.1100 8	9.8304	10.137 6	12.16512	24.33024	
Intel Stratix 10 H-Tile and L-Tile	(1)	-2 / -3									-2 / -2	
Intel Arria 10	(1)	-3 / -4							(1)			
Stratix V GT	-3 / H3			-2 / H2				(1)				
Stratix V GX	-4 / H3			-2 / H2				(1)				
Arria V GZ	-4 / H3			-3 / H2		(1)						

continued...

(1) The CPRI v7.0 IP core does not support this CPRI line bit rate for this device family.



Device Family	CPRI Line Bit Rate (Gbps)										
	0.6144	1.2288	2.4576	3.072	4.9152	6.1440	8.1100 8	9.8304	10.137 6	12.16512	24.33024
Arria V GX	-6 / H6				-5 / H4	-5 / H4	(1)				
Arria V GT	-5/H3						(1)				
Cyclone V GT	-7 / H5					(1)					
Cyclone V GX	-8 / H7	-7 / H6			(1)						

1.3. IP Core Verification

To ensure functional correctness of the CPRI v7.0 IP core, Intel performs extensive validation through both simulation and hardware testing. Before releasing a version of the CPRI v7.0 IP core, Intel runs basic regression tests in the associated version of the Intel Quartus Prime software.

Related Information

- [Knowledge Base](#)
Some exceptions to functional correctness are documented in the CPRI v7.0 IP core errata.
- [CPRI v7.0 Errata page](#)
Other exceptions to functional correctness are documented on the Intel FPGA wiki CPRI v7.0 Errata page.

1.4. Resource Utilization for CPRI v7.0 IP Cores

Resource utilization changes depending on the parameter settings you specify in the CPRI v7.0 parameter editor. For example, with every additional interface you enable, the IP core requires additional resources to implement the module that supports that interface.

The resource utilization numbers are approximate as the Intel Quartus Prime Fitter assigns resources based on the entirety of your design. The numbers below result from a single run on a simple design. Your results may vary.

Table 4. Minimum and Maximum IP Core Variations for Resource Utilization Reporting

The IP core FPGA resource utilization table reports resource utilization for a minimum IP core variation and a maximum IP core variation. Parameters not specified remain at their default values, or their values do not affect resource utilization.

Parameter	Minimum Variation	Maximum Variation
Line bit rate	1.2288 Gbps for target device in the Intel Arria 10 and Intel Stratix 10 device families, 0.6144 Gbps for all other device families	Maximum bit rate (device family dependent)
Synchronization mode	Master	Master
Operation mode	TX/RX Duplex	TX/RX Duplex
Core clock source input	Internal	Internal
<i>continued...</i>		



Parameter	Minimum Variation	Maximum Variation
Receiver soft buffer depth	4	8
Auxiliary and direct interfaces write latency cycle(s)	—	9
Enable interface, for all optional direct interfaces in the L1 Features tab	Off	On
Ethernet PCS interface	NONE	GMII
L2 Ethernet PCS Tx/Rx FIFO depth	—	11
Enable single-trip delay calibration	Off	Off
Enable round-trip delay calibration	Off	On
Round-trip delay calibration FIFO depth	—	4

Table 5. IP Core FPGA Resource Utilization

Lists the resources and expected performance for minimum and maximum variations of the CPRI v7.0 IP core in each supported device family.

These results were obtained using the Intel Quartus Prime Pro Edition v17.1 software on an Intel Stratix 10 and Intel Arria 10 device, and using the Intel Quartus Prime Standard Edition v17.1 software for all other target device families.

- The numbers of ALMs and logic registers are rounded up to the nearest 100.
- The numbers of ALMs, before rounding, are the **ALMs needed** numbers from the Intel Quartus Prime Fitter Report.

Intel Stratix 10 Device (with H-Tile Transceivers)	ALMs	Logic Registers	M20K Blocks
Minimum (1.2288 Gbps CPRI line bit rate)	1100	200	2
Maximum (24.33024 Gbps CPRI line bit rate)	17400	31200	44

Intel Arria 10 Device	ALMs	Logic Registers	M20K Blocks
Minimum (1.2288 Gbps CPRI line bit rate)	800	1700	2
Maximum (10.1376 Gbps CPRI line bit rate)	3000	5000	16

Arria V GX or GT Device	ALMs	Logic Registers	M10K Blocks
Minimum (0.6144 Gbps CPRI line bit rate)	900	1600	6
Maximum (6.144 Gbps CPRI line bit rate)	3200	5000	15

Arria V GZ Device	ALMs	Logic Registers	M20K Blocks
Minimum (0.6144 Gbps CPRI line bit rate)	1000	1600	2
Maximum (9.8304 Gbps CPRI line bit rate)	3300	5100	9

Cyclone V GX or GT Device	ALMs	Logic Registers	M10K Blocks
Minimum (0.6144 Gbps CPRI line bit rate)	900	1600	6
Maximum (4.9512 Gbps CPRI line bit rate)	3100	5000	11



Stratix V GX or GT Device	ALMs	Logic Registers	M20K Blocks
Minimum (0.6144 Gbps CPRI line bit rate)	900	1600	2
Maximum (10.1376 Gbps CPRI line bit rate)	3900	6000	18

Related Information

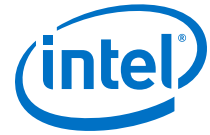
[Fitter Resources Reports in the Intel Quartus Prime Help](#)

Information about Intel Quartus Prime resource utilization reporting, including **ALMs needed**.

1.5. Release Information

Table 6. CPRI v7.0 IP Core Current Release Information

Item	Description
Compatible Intel Quartus Prime Software Version	17.1
Release Date	2018.09.19
Ordering Codes	IP-CPRI-V7



2. Getting Started with the CPRI v7.0 IP Core

Explains how to install, parameterize, and simulate the CPRI v7.0 IP core.

[Installation and Licensing](#) on page 12

[Generating CPRI v7.0 IP Cores](#) on page 13

After you install and integrate the extended IP core in the ACDS release, the CPRI v7.0 IP core supports the standard customization and generation process. This IP core is not supported in Platform Designer.

[CPRI v7.0 IP Core File Structure](#) on page 14

[CPRI v7.0 IP Core Parameters](#) on page 17

[Integrating Your IP Core in Your Design: Required External Blocks](#) on page 24

[Simulating Intel FPGA IP Cores](#) on page 32

[Understanding the Testbench](#) on page 32

[Running the Testbench](#) on page 33

[Compiling the Full Design and Programming the FPGA](#) on page 35

Related Information

[Introduction to Intel FPGA IP Cores](#)

Additional information about generating an Intel FPGA IP core and integrating it in your Intel Quartus Prime project.

2.1. Installation and Licensing

The CPRI v7.0 IP core is an extended FPGA IP core which is not included with the Intel Quartus Prime release. This section provides a general overview of the Intel extended FPGA IP core installation process to help you quickly get started with any Intel extended FPGA IP core.

The Intel extended FPGA IP cores are available from the Intel Self-Service Licensing Center (SSL). Refer to Related Information below for the correct link for this IP core.



Figure 2. IP Core Installation Directory Structure

Directory structure after you install the CPRI v7.0 IP core.

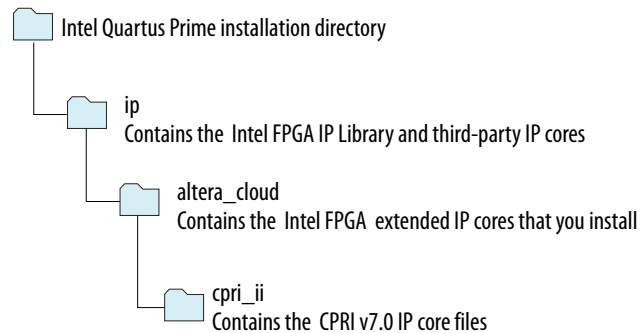


Table 7. IP Core Installation Locations

Location	Software	Platform
<drive>:\intelFPGA_pro<version>\quartus\ip\altera_cloud	Intel Quartus Prime Pro Edition	Windows*
<drive>:\intelFPGA<version>\quartus\ip\altera_cloud	Intel Quartus Prime Standard Edition	Windows
<home directory>:\intelFPGA_pro/<version>/quartus/ip/altera_cloud	Intel Quartus Prime Pro Edition	Linux*
<home directory>:\intelFPGA/<version>/quartus/ip/altera_cloud	Intel Quartus Prime Standard Edition	Linux

Related Information

- [Intel FPGA website](#)
- [Self-Service Licensing Center \(SSLC\)](#)
 After you purchase the CPRI v7.0 IP core, the IP core is available for download from the SSLC page in your My Intel account. You must create a My Intel account if you do not have one already, and log in to access the SSLC. On the SSLC page, click Run for this IP core. The SSLC provides an installation dialog box to guide your installation of the IP core.

2.2. Generating CPRI v7.0 IP Cores

You can quickly configure a custom IP variation in the parameter editor. Use the following steps to specify CPRI v7.0 IP core options and parameters in the parameter editor.

1. In the Intel Quartus Prime Pro Edition software, click **File > New Project Wizard** to create a new Intel Quartus Prime project, or **File > Open Project** to open an existing Intel Quartus Prime project. The wizard prompts you to specify a device. In the Intel Quartus Prime Standard Edition software, this step is not required.
2. In the IP Catalog (**Tools > IP Catalog**), locate and double-click the name **CPRI**. The parameter editor appears.
3. Specify a top-level name for your custom IP variation. The parameter editor saves the IP variation settings in a file named <your_ip>.ip (in Intel Quartus Prime Pro Edition). Click **OK**.



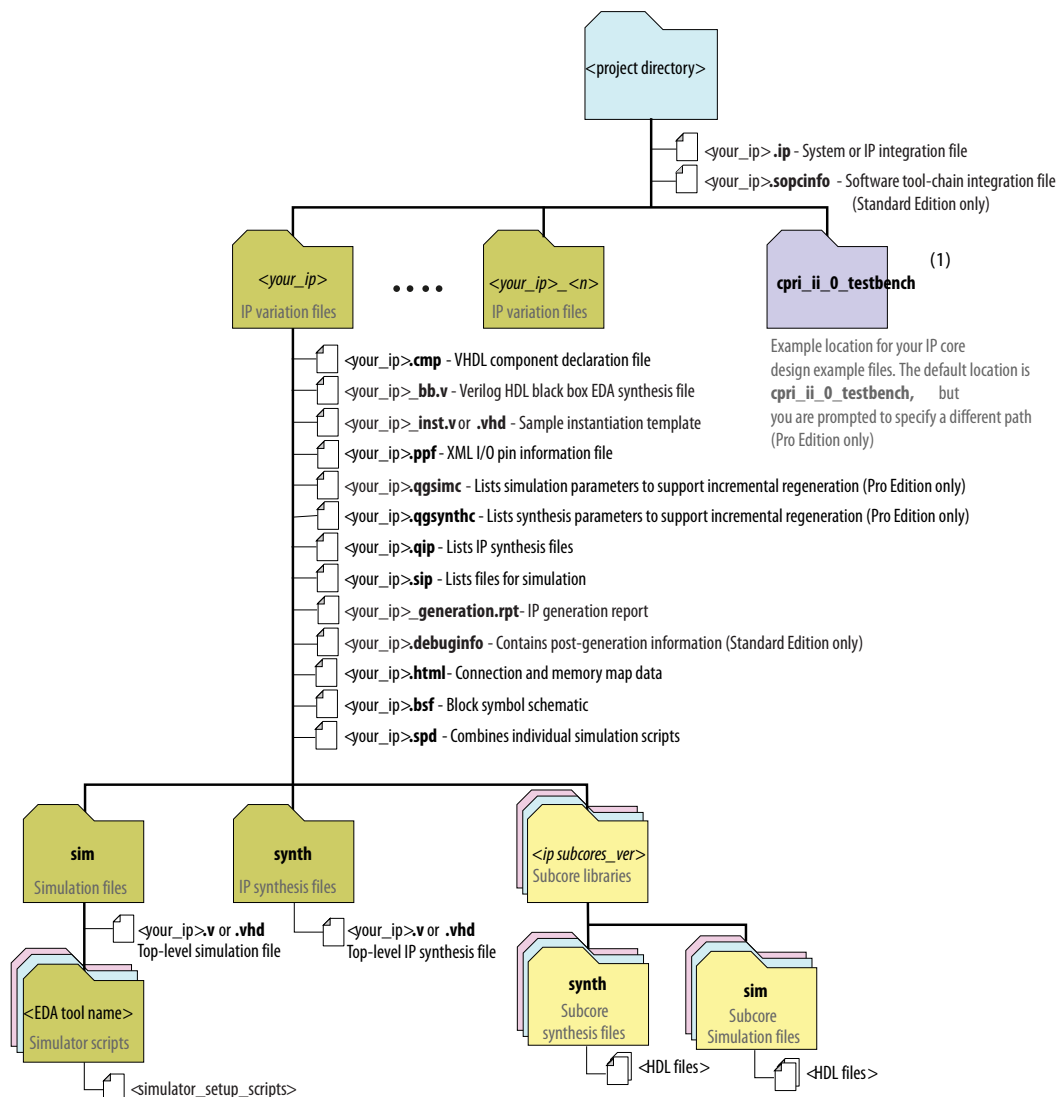
4. Specify the parameters and options for your IP variation in the parameter editor, including one or more of the following. Refer to *IP Core Parameters* for information about specific IP core parameters.
 - Specify parameters defining the IP core functionality, port configurations, and device-specific features.
 - Specify options for processing the IP core files in other EDA tools.
5. Click **Generate HDL**. The **Generation** dialog box appears.
6. Specify output file generation options, and then click **Generate**. The IP variation files generate according to your specifications.
7. To generate a simulation testbench, click **Generate Example Design**. Please refer to the instructions in the *Running the Testbench* section.
8. To generate an HDL instantiation template that you can copy and paste into your text editor, click **Generate ► Show Instantiation Template**.
9. Click **Finish**. The parameter editor adds the top-level `.qsys` or `.ip` file to the current project automatically. If you are prompted to manually add the `.qsys` file to the project, click **Project ► Add/Remove Files in Project** to add the file.
10. After generating and instantiating your IP variation, make appropriate pin assignments to connect ports.

2.3. CPRI v7.0 IP Core File Structure

The Intel Quartus Prime software generates the following IP core output file structure.



Figure 3. IP Core Generated Files



Note:

(1) For V-series device variations, the testbench directory is <your_ip>_testbench/altera_cpri_ii

Table 8. IP Core Generated Files

File Name	Description
<your_ip>.ip (Intel Quartus Prime Pro Edition only)	Top-level IP variation file. <your_ip> is the name that you give your IP variation. <i>Note:</i> The Intel Quartus Prime Standard Edition software creates different source files for your CPRI IP variation.
<system>.sopcinfo	Describes the connections and IP component parameterizations in your Platform Designer system. You can parse its contents to get requirements when you develop software drivers for IP components. (Intel Quartus Prime Standard Edition only)

continued...



File Name	Description
	Downstream tools such as the Intel Nios® II tool chain use this file. The <code>.sopcinfo</code> file and the <code>system.h</code> file generated for the Nios II tool chain include address map information for each slave relative to each master that accesses the slave. Different masters may have a different address map to access a particular slave component.
<code><your_ip>.cmp</code>	The VHDL Component Declaration (<code>.cmp</code>) file is a text file that contains local generic and port definitions that you can use in VHDL design files.
<code><your_ip>.html</code>	A report that contains connection information, a memory map showing the address of each slave with respect to each master to which it is connected, and parameter assignments.
<code><your_ip>_generation.rpt</code>	IP or Platform Designer generation log file. A summary of the messages during IP generation.
<code><your_ip>.debuginfo</code>	Contains post-generation information. Used to pass System Console and Bus Analyzer Toolkit information about the Platform Designer (Standard) interconnect. The Bus Analysis Toolkit uses this file to identify debug components in the Platform Designer (Standard) interconnect. (Intel Quartus Prime Standard Edition only)
<code><your_ip>.qgsimc</code>	Lists simulation parameters to support incremental regeneration. (Intel Quartus Prime Pro Edition only)
<code><your_ip>.qgsynthc</code>	Lists synthesis parameters to support incremental regeneration. (Intel Quartus Prime Pro Edition only)
<code><your_ip>.qip</code>	Contains all the required information about the IP component to integrate and compile the IP component in the Quartus Prime software.
<code><your_ip>.csv</code>	Contains information about the upgrade status of the IP component.
<code><your_ip>.bsf</code>	A Block Symbol File (<code>.bsf</code>) representation of the IP variation for use in Quartus Prime Block Diagram Files (<code>.bdf</code>).
<code><your_ip>.spd</code>	Required input file for <code>ip-make-simscript</code> to generate simulation scripts for supported simulators. The <code>.spd</code> file contains a list of files generated for simulation, along with information about memories that you can initialize.
<code><your_ip>.ppf</code>	The Pin Planner File (<code>.ppf</code>) stores the port and node assignments for IP components created for use with the Pin Planner.
<code><your_ip>_bb.v</code>	You can use the Verilog black-box (<code>_bb.v</code>) file as an empty module declaration for use as a black box.
<code><your_ip>.sip</code>	Contains information required for NativeLink simulation of IP components. You must add the <code>.sip</code> file to your Intel Quartus Prime project.
<code><your_ip>_inst.v</code> and <code>_inst.vhd</code>	HDL example instantiation template. You can copy and paste the contents of this file into your HDL file to instantiate the IP variation.
<code><your_ip>.regmap</code>	If IP contains register information, <code>.regmap</code> file generates. The <code>.regmap</code> file describes the register map information of master and slave interfaces. This file complements the <code>.sopcinfo</code> file by providing more detailed register information about the system. This enables register display views and user customizable statistics in the System Console.
<code><your_ip>.svd</code>	Allows hard processor system (HPS) System Debug tools to view the register maps of peripherals connected to HPS within a Platform Designer system. During synthesis, the <code>.svd</code> files for slave interfaces visible to System Console masters are stored in the <code>.sof</code> file in the debug section. System Console reads this section, which Platform Designer can query for register map information. For system slaves, Platform Designer can access the registers by name.
<code><your_ip>.v</code> and <code><your_ip>.vhd</code>	HDL files that instantiate each submodule or child IP core for synthesis or simulation.
continued...	



File Name	Description
mentor/	Contains a ModelSim script <code>msim_setup.tcl</code> to set up and run a simulation.
aldec/	Contains a Riviera-PRO script <code>rivierapro_setup.tcl</code> to setup and run a simulation.
synopsys/vcs/ synopsys/vcsmx/	Contains a shell script <code>vcs_setup.sh</code> to set up and run a VCS® simulation. Contains a shell script <code>vcsmx_setup.sh</code> and <code>synopsys_sim.setup</code> file to set up and run a VCS MX® simulation.
cadence/	Contains a shell script <code>ncsim_setup.sh</code> and other setup files to set up and run an NCSIM simulation.
submodules/	Contains HDL files for the IP core submodule.
<child IP cores>/	For each generated child IP core directory, Platform Designer generates <code>synth/</code> and <code>ansim/</code> sub-directories.

2.4. CPRI v7.0 IP Core Parameters

The CPRI v7.0 parameter editor provides the parameters you can set to configure the CPRI v7.0 IP core and simulation testbench.

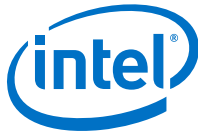
The CPRI v7.0 parameter editor has three tabs.

Table 9. General CPRI v7.0 IP Core Parameters

Describes the general parameters for customizing the CPRI v7.0 IP core. These parameters appear on the **General** tab in the CPRI v7.0 parameter editor.

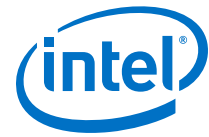
Parameter	Options	Default Setting	Parameter Description
Selected device family	<ul style="list-style-type: none"> Intel Stratix 10 Intel Arria 10 Stratix V Arria V Cyclone® V 		Specifies the target device.
Line bit rate (Mbits/s)	<ul style="list-style-type: none"> 614.4 1228.8 2457.6 3072.0 4915.2 6144.0 8110.08 9830.4 10137.6 12165.12 24330.24 	Lowest bit rate supported for the device family	<p>Selects the CPRI line bit rate. Refer to CPRI v7.0 IP Core Performance: Device and Transceiver Speed Grade Support on page 8 for supported CPRI line bit rates in the supported device families.</p> <p>The parameter editor does not allow you to specify a CPRI line bit rate that the target device does not support.</p>
Data path width	<ul style="list-style-type: none"> 32 64 	32	<p>This parameter specifies interface width.</p> <p>CPRI IP core variations that target Intel Stratix 10 device with line bit rate value 12165.12 or 24330.24 Mbps, this parameter value is 64.</p> <p>For all other device variations and combinations, this parameter value is 32.</p>
Synchronization mode	<ul style="list-style-type: none"> Master Slave 	Master	Specifies whether the CPRI v7.0 IP core is configured as a CPRI link master or a CPRI link slave.

continued...



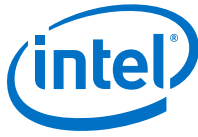
Parameter	Options	Default Setting	Parameter Description				
			The value of this parameter determines the initial and reset clocking mode of the CPRI v7.0 IP core. You can modify the IP core clocking mode dynamically by modifying the value of the <code>synchronization_mode</code> field of the <code>L1_CONFIG</code> register.				
Operation mode	<ul style="list-style-type: none"> TX/RX Duplex TX Simplex RX Simplex 	TX/RX Duplex	<p>Specifies whether the CPRI v7.0 IP core is configured with RX functionality only (RX Simplex), with TX functionality only (TX Simplex), or with both RX and TX functionality (TX/RX Duplex).</p> <p>If you specify a simplex mode, the Quartus Prime Fitter synthesizes logic for only one direction of traffic. If the CPRI v7.0 IP core is in TX simplex operation mode, it can transmit on the CPRI link but cannot receive. If the CPRI v7.0 IP core is in RX simplex operation mode, it can receive traffic on the CPRI link but cannot transmit.</p>				
Core clock source input	<ul style="list-style-type: none"> External Internal Hybrid 	Internal	<p>Specifies the clock source of the <code>cpri_clkout</code> port that drives the core.</p> <p>The external clocking scheme supports the single-trip delay calibration feature. In this clocking scheme, the clock fed through <code>cpri_coreclk</code> drives the <code>cpri_clkout</code> at all CPRI line bit rates.</p> <p>In the internal clocking scheme, the clock from the transceiver PHY drives the <code>cpri_clkout</code>.</p> <p>The hybrid option is available only when you select at least one CPRI line bit rate from Group 1 and Group 2 of the table below and enable line bit rate auto-negotiation parameter:</p> <table border="1" data-bbox="824 995 1404 1100"> <thead> <tr> <th>Group 1 (Gbps)</th> <th>Group 2 (Gbps)</th> </tr> </thead> <tbody> <tr> <td>0.6144, 1.2288, 2.4576, 3.072, 4.9152, 6.1440</td> <td>8.11008, 9.8304, 10.1376, 12.16512, 24.33024</td> </tr> </tbody> </table> <p>In hybrid mode, the IP works in the Internal clocking scheme when you select CPRI line bit rates from Group 1 and works in external mode clocking scheme when you select the CPRI line bit rates from Group 2.</p>	Group 1 (Gbps)	Group 2 (Gbps)	0.6144, 1.2288, 2.4576, 3.072, 4.9152, 6.1440	8.11008, 9.8304, 10.1376, 12.16512, 24.33024
Group 1 (Gbps)	Group 2 (Gbps)						
0.6144, 1.2288, 2.4576, 3.072, 4.9152, 6.1440	8.11008, 9.8304, 10.1376, 12.16512, 24.33024						
Transmitter local clock division factor	<ul style="list-style-type: none"> 1 2 4 8 	1	<p>Specifies the division factor for the local clock divider. The IP core divides the high speed clock from the transceiver TX PLL (<code>xcvr_ext_pll_clk</code>) to generate the serial TX clock.</p> <p>This feature supports the configuration of multiple instances of the CPRI v7.0 IP core that run at different CPRI line bit rates but share use of the same TX PLL.</p> <p>This parameter is not available if you set the value of Operation mode to RX Simplex.</p> <p>IP core variations that target an Intel Arria 10 device or an Intel Stratix 10 device, with Line bit rate set to 4915.2 Mbps or slower, support only the value of 1.</p>				
Number of receiver CDR reference clock(s)	<ul style="list-style-type: none"> 1 2 	1	<p>Specifies the width of the receiver reference clock that controls the receiver. The CPRI v7.0 IP core supports the selection of one or two clocks. This option supports auto-negotiation to and from the CPRI line bit rate of 10.1376 Gbps in CPRI v7.0 IP core variations that target a Stratix V device. Refer to "IP Core Clocking Structure."</p> <p>If you set this parameter to the value of 1, the <code>xcvr_cdr_refclk</code> is a single clock. If you set this parameter to the value of 2, the <code>xcvr_cdr_refclk</code> input signal is two bits wide, to support two distinct reference clocks.</p>				

continued...



Parameter	Options	Default Setting	Parameter Description
			<p>Intel recommends that you specify a two-bit clock for Stratix V variations that are expected to implement auto-negotiation up to a 10.1376 Gbps CPRI line bit rate. In this case the typical design drives one bit of the <code>xcvr_cdr_refclk</code> clock with a common 307.2 MHz clock for the lower CPRI line bit rates and drives the other bit with a 253.44 MHz clock for the 10.1376 Gbps CPRI line bit rate. However, these specific clock frequencies are not required.</p> <p>If the value of this parameter is 2, the receiver clocks the CDR with the <code>xcvr_cdr_refclk[0]</code> input signal by default. You can switch the receiver to use <code>xcvr_cdr_refclk[1]</code>, or back to <code>xcvr_cdr_refclk[0]</code>, by dynamically reconfiguring the RX transceiver.</p> <p>IP core variations that target a device family other than the Stratix V device family, support only a single-bit receiver reference clock.</p> <p>CPRI IP core variations that target an Intel Arria 10 or an Intel Stratix 10 device family, support single and two bit receiver CDR reference clock in the following conditions:</p> <ul style="list-style-type: none"> Intel Arria 10 devices with auto-rate negotiation on and with the CPRI line bit rate is 8.11008 Gbps or greater. Intel Stratix 10 devices with auto-rate negotiation option on. <p>For all other cases, set this parameter value to 1.</p> <p>This parameter is not available if you set the value of Operation mode to TX Simplex.</p>
Receiver CDR reference clock frequency (MHz)	Per drop-down menu	307.2	<p>Specifies the incoming reference clock frequency for the receiver CDR PLL, in MHz.</p> <p>You must drive the input clock <code>xcvr_cdr_refclk</code> or <code>xcvr_cdr_refclk[0]</code> at the frequency you specify for this parameter.</p> <p>This parameter is not available if you set the value of Operation mode to TX Simplex.</p>
VCCR_GXB and VCCT_GXB supply voltage for the transceiver	<ul style="list-style-type: none"> 1_1V 1_0V 	1_1V	<p>Specifies whether the transceiver supply voltage is 1.1 V or 1.0 V. The supply voltage must match the voltage you specify for this parameter, in IP core variations that target an Intel Stratix 10 device.</p> <p>This parameter affects only IP core variations that target an Intel Stratix 10 device. You can ignore it for other device families.</p>
Recovered clock source	<ul style="list-style-type: none"> PCS PMA 	PCS	<p>Specifies the clock source of the <code>xcvr_recovered_clk</code>.</p> <p>Intel recommends that you set this parameter to the value of PMA in IP core variations that target a Stratix V device, if you expect your IP core to auto-negotiate to or from the CPRI line bit rate of 10.1376 Gbps. In this case, sourcing the recovered clock from the PMA improves jitter on that clock. If you specify the PCS source, the IP core switches between two PCS-internal clocks at auto-negotiation to or from the CPRI line bit rate of 10.1376 Gbps.</p> <p>This parameter is not available for</p> <ul style="list-style-type: none"> CPRI master IP cores IP cores that target an Intel Stratix 10 device IP cores for which you set the value of Operation mode to TX Simplex
Receiver soft buffer depth	4, 5, 6, 7, or 8	6	<p>The value you specify for this parameter is \log_2 of the IP core Layer 1 Rx buffer depth. The IP core supports a maximum Layer 1 RX buffer depth of 256.</p>

continued...



Parameter	Options	Default Setting	Parameter Description
			<p>The default depth of the buffer is 64, specified by the parameter default value of 6. For most systems, the default buffer depth is adequate to handle dispersion, jitter, and drift that can occur on the link while the system is running. However, the parameter is available for cases in which additional depth is required.</p> <p>Increasing the value of this parameter increases resource utilization. Increasing the value of this parameter affects latency only when the buffer fills beyond the default capacity. In that case, the larger buffer increases latency but prevents data loss.</p> <p>The user guide refers to this parameter value as <code>RX_BUF_DEPTH</code>.</p> <p>This parameter is not available if you set the value of Operation mode to TX Simplex.</p>
Enable line bit rate auto-negotiation	<ul style="list-style-type: none"> On Off 	Off	<p>Turn on the Enable line bit rate auto-negotiation parameter to specify that your CPRI v7.0 IP core supports auto-rate negotiation.</p> <p>If you turn on this parameter, your IP core does not implement auto-negotiation. You must dynamically reconfigure the transceiver to modify the CPRI line bit rate and implement auto-negotiation. However, if you turn off this parameter, the IP core does not support bit line rate auto-negotiation, and you cannot modify the CPRI line bit rate dynamically.</p> <p>If you turn off this parameter and also turn off Enable start-up sequence state machine, Enable single-trip delay calibration, and in Intel Arria 10 and Intel Stratix 10 devices, the Enable ADME, transceiver capability, control and status registers access, the transceiver reconfiguration interface is not available.</p> <p>This parameter is only available for Intel Arria 10 and Intel Stratix 10 devices when you specify a CPRI line bit rate (value for the Line bit rate parameter) that is greater than 1228.8 Mbps.</p>
<ul style="list-style-type: none"> 614.4 Mbit/s 1228.8 Mbit/s 2457.6 Mbit/s 3072.0 Mbit/s 4915.2 Mbit/s 6144.0 Mbit/s 8110.08 Mbit/s 9830.4 Mbit/s 10137.6 Mbit/s 12165.12 Mbit/s 	<ul style="list-style-type: none"> On Off 	Off	<p>These options are available when you turn on Enable line bit rate auto-negotiation parameter. You must select a CPRI line bit rate (value of the Line bit rate (Mbit/s) parameter) that is greater than one or more line bit rate (s) which you would like to negotiate to.</p> <p>You must choose at least one value to rate negotiate to if you turn on line bit rate auto-negotiation.</p>

Table 10. CPRI v7.0 IP Core Interface Feature Parameters

Describes the parameters for customizing the CPRI v7.0 IP core Layer 1 and Layer 2 interfaces and testing features. These parameters appear on the **Interfaces** tab in the CPRI v7.0 parameter editor.

Parameter	Options	Default Setting	Parameter Description
L1 Features			
Management (CSR) interface standard	Currently, only the Avalon-MM CPU interface is available in the CPRI v7.0 IP core.		Selects the interface specification that describes the behavior of the CPRI v7.0 IP core register access interface.
<i>continued...</i>			



Parameter	Options	Default Setting	Parameter Description
Avalon-MM interface addressing type	<ul style="list-style-type: none"> Word Byte 	Word	Specifies the addressing mode for the Avalon-MM CPU interface. If the addressing mode is Word , you must ensure you correctly align the connections between Avalon-MM components. This parameter specifies how other components must connect to the <code>cpu_address</code> bus on the CPU interface.
Auxiliary and direct interfaces write latency cycle(s)	0 to 9	0	<p>Specifies the additional write latency on the AUX TX interface and other direct TX interfaces to the CPRI v7.0 IP core. The write latency is the number of <code>cpri_clkout</code> cycles from when the <code>aux_tx_seq</code> output signal has the value of 0 to when user logic writes data to the AUX TX interface. For other direct interfaces, the IP core notifies user logic when it is ready for input and the user does not need to monitor the <code>aux_tx_seq</code> signal.</p> <p>When Auxiliary and direct interfaces write latency cycle(s) has the value of zero, the write latency on the direct TX interfaces is one <code>cpri_clkout</code> cycle. When Auxiliary and direct interfaces write latency cycle(s) has the value of N, the write latency is (1+N) <code>cpri_clkout</code> cycles.</p> <p>Set this parameter to a value that provides user logic with sufficient advance notice of the position in the CPRI frame. The processing time that user logic requires after determining the current position in the CPRI frame is implementation specific.</p> <p>This parameter is available if you turn on at least one direct interface in your CPRI v7.0 IP core variation.</p>
Enable auxiliary interface	<ul style="list-style-type: none"> On Off 	Off	Turn on this parameter to include the AUX interface in your CPRI v7.0 IP core. The AUX interface provides full access to the raw CPRI frame.
Enable all control word access via management interface	<ul style="list-style-type: none"> On Off 	Off	<p>Turn on this parameter to enable access to all control words in a hyperframe using the CPRI v7.0 <code>CTRL_INDEX</code>, <code>TX_CTRL</code>, and <code>RX_CTRL</code> registers.</p> <p>Use this option with caution. During transmission, this feature has higher priority than the MII, the GMII, the HDLC serial interface, the L1 control and status interface, and the generation of special symbols (K28.5, D16.2, /S/, /T/), and can overwrite standard control words in the hyperframe.</p>
Enable direct Z.130.0 alarm bits access interface	<ul style="list-style-type: none"> On Off 	Off	Turn on this parameter to include a dedicated L1 control and status interface to communicate the contents of the CPRI frame Z.130.0 word, which includes alarms and reset signals.
Enable direct ctrl_axc access interface	<ul style="list-style-type: none"> On Off 	Off	Turn on this parameter to include a dedicated interface to access the <code>Ctrl_AxC</code> subchannels in the CPRI frame.
Enable direct vendor specific access interface	<ul style="list-style-type: none"> On Off 	Off	Turn on this parameter to include a dedicated interface to access the VS subchannels in the CPRI frame.
Enable direct real-time vendor specific interface	<ul style="list-style-type: none"> On Off 	Off	<p>Turn on this parameter to include a dedicated interface to access the RTVS subchannel in the CPRI frame.</p> <p>This parameter is available when you specify a CPRI line bit rate of 10137.6 Mbps.</p>
Enable start-up sequence state machine	<ul style="list-style-type: none"> On Off 	Off	<p>Turn on this parameter to include a start-up sequence state machine in the CPRI v7.0 IP core.</p> <p>If you turn off this parameter and also turn off Enable line bit rate auto-negotiation, Enable single-trip delay calibration, and in Intel Arria 10 and Intel Stratix</p>

continued...



Parameter	Options	Default Setting	Parameter Description
			10 devices, the Enable ADME, transceiver capability, control and status registers access , the transceiver reconfiguration interface is not available. This parameter is available if you set the value of Operation mode to TX/RX Duplex .
Enable protocol version and C&M channel setting auto-negotiation	<ul style="list-style-type: none"> On Off 	Off	Turn on this parameter to include a negotiator block that performs auto-negotiation of L1 inband protocol version (communicated in CPRI frame position Z.2.0) and L2 C&M rates (communicated in CPRI frame positions Z.66.0 and Z.194.0). This parameter is available when you turn on Enable start-up sequence state machine .
Enable direct I/Q mapping interface	<ul style="list-style-type: none"> On Off 	Off	Turn on this parameter to include a dedicated interface to access the raw I/Q data bytes in the CPRI frame.
L2 Features			
Enable HDLC serial interface	<ul style="list-style-type: none"> On Off 	Off	Turn on this parameter to include a dedicated interface to communicate the contents of the slow C&M subchannels. For full HDLC communication, you must connect a user-defined HDLC module to this interface.
Ethernet PCS interface	<ul style="list-style-type: none"> NONE MII GMII 	NONE	Specify whether to include an MII or GMII port to communicate with the fast C&M (Ethernet) CPRI subchannel. You can also specify that the IP core does not support either interface. <ul style="list-style-type: none"> An MII port complies with the IEEE 802.3 100BASE-X 100Mbps MII specification, A GMII port complies with the IEEE 802.3 1000BASE-X 1Gbps GMII specification. For full Ethernet communication, you must connect a user-defined Ethernet MAC to this interface. GMII option is not available for CPRI IP core variations that target Intel Stratix 10 device with line bit rate value 12165.12 or 24330.24 Mbps.
L2 Ethernet PCS Tx/Rx buffer depth	7, 8, 9, 10, 11	7	The value you specify for this parameter is \log_2 of the IP core Layer 2 Ethernet PCS Rx buffer depth and Tx buffer depth. The IP core supports a maximum Layer 2 Ethernet PCS buffer depth of 1024 for MII and 2048 for GMII. This parameter is available when you include an MII or GMII port to communicate with the fast C&M (Ethernet) CPRI subchannel by selecting the value of MII or GMII for the Ethernet PCS interface parameter. The new value of 11 is supported only for GMII.
Debug Features			
Enable L1 debug interfaces	<ul style="list-style-type: none"> On Off 	Off	Turn on this parameter to include dedicated transceiver status and L1 Rx status interfaces to support debug. This parameter is not available if you set the value of Operation mode to TX Simplex .
Enable ADME, transceiver capability, control and status registers access	<ul style="list-style-type: none"> On Off 	Off	Turn on this parameter to support debugging through the System Console and to expose transceiver registers. If you turn off this parameter and also turn off Enable line bit rate auto-negotiation , Enable start-up sequence state machine , and Enable single-trip delay calibration , the Intel Arria 10 or Intel Stratix 10 transceiver reconfiguration interface is not available. This parameter is available only for Intel Arria 10 and Intel Stratix 10 devices.

continued...

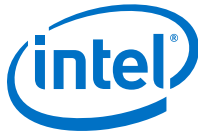


Parameter	Options	Default Setting	Parameter Description
Enable transceiver PMA serial forward loopback path	<ul style="list-style-type: none"> On Off 	Off	<p>Turn on this parameter to enable transceiver PMA serial forward loopback. To turn on transceiver PMA serial forward loopback (Tx to Rx), you must also write the value of 2'b01 to the <code>loop_forward</code> field of the <code>LOOPBACK</code> register at offset 0x44.</p> <p>This parameter is not available if you set the value of Operation mode to TX Simplex or to RX Simplex.</p>
Enable parallel forward loopback paths	<ul style="list-style-type: none"> On Off 	Off	<p>Turn on this parameter to enable other internal parallel forward loopback paths (Tx to Rx). To turn on internal parallel forward loopback, you must also write a non-zero value to the <code>loop_forward</code> field of the <code>LOOPBACK</code> register at offset 0x44.</p> <p>This parameter is not available if you set the value of Operation mode to TX Simplex or to RX Simplex.</p>
Enable parallel reversed loopback paths	<ul style="list-style-type: none"> On Off 	Off	<p>Turn on this parameter to enable internal parallel reverse loopback (Rx to Tx). To turn on reverse loopback, you must also write a non-zero value to the <code>loop_reversed</code> field of the <code>LOOPBACK</code> register at offset 0x44, to specify the parts of the CPRI frame that are sent on the loopback path.</p> <p>This parameter is not available if you set the value of Operation mode to TX Simplex or to RX Simplex.</p>

Table 11. CPRI v7.0 IP Core Advanced Feature Parameters

Describes the parameters for customizing the CPRI v7.0 IP core delay calibration features. These parameters appear on the **Advanced** tab in the CPRI v7.0 parameter editor.

Parameter	Options	Default Setting	Parameter Description
Enable single-trip delay calibration	<ul style="list-style-type: none"> On Off 	Off	<p>Turn on this parameter to specify that your CPRI v7.0 IP core supports single-trip delay calibration.</p> <p>If you turn on this parameter, your IP core implements single-trip delay calibration only if you connect it according to Adding and Connecting the Single-Trip Delay Calibration Blocks on page 30. Intel provides the required external blocks but you must connect them to the IP core in your design.</p> <p>This parameter is only available in IP core variations that target an Intel Arria 10 device.</p> <p>If you turn off this parameter and also turn off Enable line bit rate auto-negotiation, Enable start-up sequence state machine the transceiver reconfiguration interface is not available.</p> <p>This parameter is available only if you set the value of the Core clock source input parameter to External.</p>
Enable round-trip delay calibration	<ul style="list-style-type: none"> On Off 	Off	<p>Turn on this parameter to to specify that your CPRI v7.0 IP core supports round-trip delay calibration.</p> <p>This parameter is available only if you set the value of the Synchronization mode parameter to Master.</p>
Round-trip delay calibration FIFO depth	<ul style="list-style-type: none"> 2 3 4 	2	<p>The value you specify for this parameter is \log_2 of the IP core RTD calibration buffer depth. The IP core supports a maximum RTD calibration buffer depth of 16.</p> <p>The default depth of the buffer is 4, specified by the parameter default value of 2. For buffer depth N, the Read pointer can move $(N/2)-1$ entries in either direction from its initial state.</p>

**Table 12. CPRI v7.0 IP Core Simulation Parameters**

Describes the parameters for customizing the CPRI v7.0 IP core delay calibration features. These parameters appear on the **Advanced** tab in the CPRI v7.0 parameter editor.

Parameter	Options	Default Setting	Parameter Description
Language for top-level simulation file	<ul style="list-style-type: none">VerilogVHDL	Verilog	This parameter determines the language of the top-level simulation file.

Related Information

- [LOOPBACK Register](#) on page 124
- [CPRI v7.0 IP Core Clocking Structure](#) on page 38

2.5. Integrating Your IP Core in Your Design: Required External Blocks

You must connect your CPRI v7.0 IP core to some additional required design components. Your design can simulate and compile without some of these connections and logical blocks, but it will not function correctly in hardware unless all of them are present and connected in your design.

The CPRI v7.0 IP core requires that you define, instantiate, and connect the following additional software and hardware modules for all CPRI v7.0 IP core variations:

- An external PLL IP core to configure the transceiver TX PLL. Although the FPGA elements this IP core configures are physically part of the device transceiver, you must instantiate this IP core in software separately from the CPRI v7.0 IP core. In Intel Arria 10 and Intel Stratix 10 devices, this requirement supports the configuration of multiple Intel FPGA IP cores using the same transceiver block in the device.
- One or more external reset controllers to coordinate the reset sequence for the CPRI v7.0 IP core in your design.

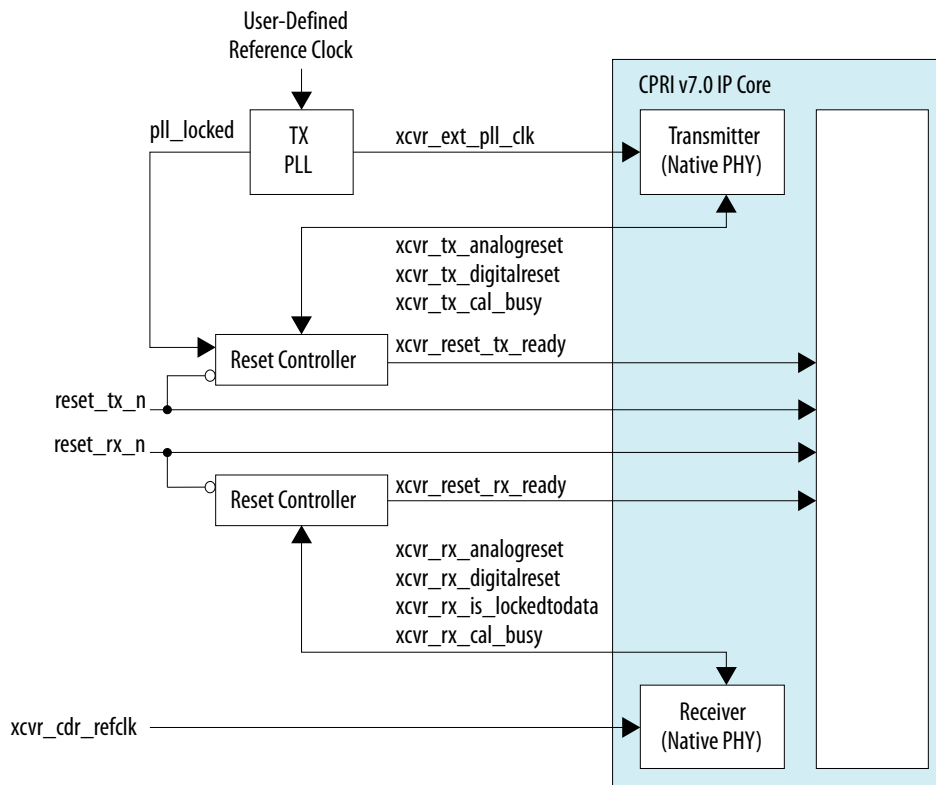
In addition, some IP core variations require additional modules to function correctly in hardware.

- CPRI link slave modules require an off-chip clean-up PLL.
- Variations that target a 28-nm device (Arria V, Arria V GZ, Cyclone V, or Stratix V device family) require an external transceiver reconfiguration controller.
- Variations with the single-trip delay calibration feature require additional blocks that Intel provides but does not connect in your design.



Figure 4. Required External Blocks

An example showing how you could connect required components to a single CPRI v7.0 IP core that targets an Arria 10 device.



Related Information

[Adding the Reset Controller](#) on page 27

2.5.1. Adding the Transceiver TX PLL IP Core

The CPRI v7.0 IP core requires that you generate and connect a TX transceiver PLL IP core. The transceiver PLL IP core configures the TX PLL in the transceiver on the device, but you must generate the transceiver PLL IP core separately from the CPRI v7.0 IP core in software. If you do not generate and connect the transceiver PLL IP core, the CPRI v7.0 IP core does not compile.

You can use the IP Catalog to generate the external PLL IP core that configures a TX PLL on the device. In the IP Catalog, select an Intel FPGA IP core that configures an appropriate PLL on your target device.

For your 28-nm design, you can select **Altera PLL (FPLL)** or **Transceiver PLL v17.1.1** in the IP Catalog. In the parameter editor for the TX PLL IP core you select, you must set the PLL output frequency to the expected input frequency for the CPRI v7.0 IP core xcvr_ext_pll_clk input signal.



For your Intel Arria 10 design, you can select **Arria 10 Transceiver ATX PLL**, **Arria 10 Transceiver CMU PLL**, or **Arria 10 FPLL** in the IP Catalog. For your Intel Stratix 10 design, you can select one of the Transceiver PLL options available for your device tile type in the IP Catalog. In the parameter editor for the TX PLL IP core you select, you must set the following parameter values:

- **PLL output frequency** to one half the per-lane data rate of the IP core variation, multiplied by the value of the **Transmitter local clock division factor** parameter of the CPRI v7.0 IP core. The transceiver performs dual edge clocking, using both the rising and falling edges of the input clock from the PLL. Therefore, this PLL output frequency setting drives the transceiver with the correct clock for the CPRI v7.0 IP core line bit rate.

For example, if your CPRI v7.0 IP core variation has a CPRI line bit rate of 10.1376 Gbps and you set the **Transmitter local clock division factor** parameter to the value of 1, you must set the TX PLL **PLL output frequency** parameter to the value of 5068.8 MHz.

- **PLL reference clock frequency** to a frequency at which you can drive the TX PLL input reference clock. You must drive the external PLL reference clock input signal at the frequency you specify for this parameter.

For example, if your CPRI v7.0 IP core variation has a CPRI line bit rate of 10.1376 Gbps and you set the **Transmitter local clock division factor** parameter to the value of 1, you can set the **PLL reference clock frequency** to the value of 307.2 MHz.

Intel Arria 10 and Intel Stratix 10 devices and the Intel Quartus Prime software support multiple options for configuring an Intel Arria 10 TX PLL or Intel Stratix 10 TX PLL. Depending on the TX PLL IP core you select and the configuration options you prefer, you have a wide range of choices in parameterizing the external TX PLL for a design that targets one of these two device families.

You must connect the external TX PLL signals and the CPRI v7.0 IP core transceiver TX PLL interface signals according to the following rules.

Table 13. Required Connections Between Transceiver TX PLL and CPRI v7.0 IP Core

Connect the `xcvr_ext_pll_clk` input signal of the CPRI v7.0 IP core to the `pll_clkout`, `tx_serial_clk`, or `outclk0` output signal of the external PLL IP core. Information about connecting the transceiver TX PLL to the Reset Controller is available in [Adding the Reset Controller](#) on page 27.

CPRI v7.0 IP Core Signal	TX PLL Signal
<code>xcvr_ext_pll_clk</code> (input)	Intel Arria 10 or Intel Stratix 10 CMU or ATX PLL: <code>tx_serial_clk</code>
	Intel Arria 10 FPLL: <code>outclk0</code>
	V-series device CMU or ATX PLL: <code>pll_clkout</code>
	V-series device FPLL: <code>outclk0</code>

If your CPRI v7.0 IP core is an RE slave, drive the input signal of the external PLL IP core with the output of the off-chip cleanup PLL.

User logic must provide the connections. Refer to the demonstration testbench for example working user logic including one correct method to instantiate and connect the external PLL to a single CPRI v7.0 IP core.



Related Information

- [Interface to the External PLL](#) on page 103
- [V-Series Transceiver PHY IP Core User Guide](#)
Information about how to configure an external PLL for your Arria V, Arria V GZ, Cyclone V, or Stratix V design.
- [Intel Arria 10 Transceiver PHY User Guide](#)
Information about how to configure an external PLL for your own Intel Arria 10 design.
- [Intel Stratix 10 L- and H-Tile Transceiver PHY User Guide](#)
Information about how to configure an external PLL for your Intel Stratix 10 design that targets a production device.

2.5.2. Adding the Reset Controller

The CPRI v7.0 IP core requires that you provide reset control logic to handle the required reset sequence for the IP core transceiver on the device. For a duplex CPRI v7.0 IP core, you must generate and connect two Transceiver PHY Reset Controller IP cores to perform this function, one reset controller for the TX transceiver and one reset controller for the RX transceiver in the CPRI v7.0 IP core. If you do not implement the device-specific correct reset sequence, the IP core does not function correctly in hardware.

You can use the IP Catalog to generate Transceiver PHY Reset Controller IP cores for the device family that your CPRI v7.0 IP core targets.

Follow the instructions in the *V-Series Transceiver PHY IP Core User Guide*, the *Intel Arria 10 Transceiver PHY User Guide*, or the *Intel Stratix 10 L-and H-Tile Transceiver PHY User Guide*. The CPRI v7.0 IP core configures the Native PHY IP core for the target device family. You must configure the reset controllers to coordinate reset of the CPRI v7.0 IP core including the Native PHY IP core, and the transceiver PLL IP core. In the case of Arria V, Arria V GZ, Cyclone V, and Stratix V variations, the reset controllers must also coordinate with the transceiver reconfiguration controller.

To configure a TX reset controller, in the Transceiver PHY Reset Controller parameter editor, you must set the following parameter values:

- Set **Input clock frequency** to a value in the range of 100–150 MHz. You must drive the CPRI v7.0 IP core `reconfig_clk` at the same frequency you specify for this parameter.
- Turn on **Synchronize reset input**.
- Turn on **Use fast reset for simulation**.
- Turn on **Enable TX PLL reset control**.
- Set **pll_powerdown duration** to the value of 10.
- Turn on **Enable TX channel reset control**.
- Leave all other parameters turned off or for the parameters that do not turn on or off, at their default values.



To configure an RX reset controller, in the Transceiver PHY Reset Controller parameter editor, you must set the following parameter values:

- Set **Input clock frequency** to a value in the range of 100–150 MHz. You must drive the CPRI v7.0 IP core `reconfig_clk` at the same frequency you specify for this parameter.
- Turn on **Synchronize reset input**.
- Turn on **Use fast reset for simulation**.
- Turn on **Enable RX channel reset control**.
- Leave all other parameters turned off or for the parameters that do not turn on or off, at their default values.

You must connect the external reset controller signals to the CPRI v7.0 IP core reset controller interface signals and transceiver TX PLL signals according to the following rules. Refer to [Integrating Your IP Core in Your Design: Required External Blocks](#) on page 24 for an illustration of the connections.

Table 14. Required Connections to and From Reset Controllers in CPRI v7.0 Design

Lists the required connections between the reset controllers and the CPRI v7.0 IP core and the transceiver TX PLL IP core. For information about connecting the transceiver TX PLL to the CPRI v7.0 IP core, refer to [Adding the Transceiver TX PLL IP Core](#) on page 25.

Transmit-Side Reset Controller Signal	Connect to
clock (input)	Clock source for CPRI v7.0 IP core <code>reconfig_clk</code> input signal
reset (input)	Source of CPRI v7.0 IP core <code>reset_tx_n</code> input signal, inverted
pll_powerdown (output)	TX PLL <code>pll_powerdown</code>
pll_locked (input)	TX PLL <code>pll_locked</code>
tx_analogreset (output)	CPRI v7.0 IP core <code>xcvr_tx_analogreset</code>
tx_digitalreset (output)	CPRI v7.0 IP core <code>xcvr_tx_digitalreset</code>
tx_cal_busy (input)	CPRI v7.0 IP core <code>xcvr_tx_cal_busy</code>
tx_ready (output)	CPRI v7.0 IP core <code>xcvr_reset_tx_ready</code>

Receive-Side Reset Controller Signal	Connect to
clock (input)	Clock source for CPRI v7.0 IP core <code>reconfig_clk</code> input signal
reset (input)	Source of CPRI v7.0 IP core <code>reset_rx_n</code> input signal, inverted
rx_is_lockedtodata (input)	CPRI v7.0 IP core <code>xcvr_rx_is_lockedtodata</code>
rx_analogreset (output)	CPRI v7.0 IP core <code>xcvr_rx_analogreset</code>
rx_digitalreset (output)	CPRI v7.0 IP core <code>xcvr_rx_digitalreset</code>
rx_cal_busy (input)	CPRI v7.0 IP core <code>xcvr_rx_cal_busy</code>
rx_ready (output)	CPRI v7.0 IP core <code>xcvr_reset_rx_ready</code>



User logic must provide the connections. Refer to the demonstration testbench for example working user logic including one correct method to instantiate and connect the external reset controllers.

Related Information

- [Interface to the External Reset Controller](#) on page 103
- [Integrating Your IP Core in Your Design: Required External Blocks](#) on page 24
Figure illustrates the required connections.
- [V-Series Transceiver PHY IP Core User Guide](#)
Information about how to configure and connect the Altera Transceiver PHY Reset Controller for your Arria V, Arria V GZ, Cyclone V, or Stratix V design.
- [Intel Arria 10 Transceiver PHY User Guide](#)
Information about how to configure and connect the Transceiver PHY Reset Controller for your Intel Arria 10 design.
- [Intel Stratix 10 L- and H-Tile Transceiver PHY User Guide](#)
Information about how to configure and connect the Intel FPGA Transceiver PHY Reset Controller for your Intel Stratix 10 design that targets a production device.

2.5.3. Adding the Transceiver Reconfiguration Controller

CPRI v7.0 IP cores that target Arria V, Arria V GZ, Cyclone V, and Stratix V devices require an external reconfiguration controller to compile and to function correctly in hardware. CPRI v7.0 IP cores that target Intel Arria 10 or Intel Stratix 10 devices include a transceiver reconfiguration controller block and do not require an external reconfiguration controller.

You can use the IP Catalog to generate the Altera Transceiver Reconfiguration Controller IP core.

When you configure the Transceiver Reconfiguration Controller, you must specify the number of reconfiguration interfaces. The number of reconfiguration interfaces required for the CPRI v7.0 IP core depends on the CPRI v7.0 IP core configuration and your design. For example, you can configure your reconfiguration controller with additional interfaces if your design connects with multiple transceiver IP cores. You can leave other options at the default settings or modify them for your preference. Refer to the *V-Series Transceiver PHY User Guide*.

You should connect the `reconfig_to_xcvr` and `reconfig_from_xcvr` ports of the CPRI v7.0 IP core to the corresponding ports of the reconfiguration controller.

You must drive the CPRI v7.0 IP core `reconfig_clk` input port and the Altera Transceiver Reconfiguration Controller `mgmt_clk_clk` input port from the same clock source. Drive both ports at a clock frequency in the range of 100–150MHz.

Related Information

- [Arria V, Arria V GZ, Cyclone V, and Stratix V Transceiver Reconfiguration Interface](#) on page 99
- [V-Series Transceiver PHY IP Core User Guide](#)
For more information about the Altera Transceiver Reconfiguration Controller.

2.5.4. Adding the Off-Chip Clean-Up PLL

If your CPRI v7.0 IP core is an RE slave, you must connect it to an off-chip clean-up PLL to clean up any jitter that occurs in the CDR output clock, before sending it to the reference clock input of the external TX PLL.

The clean-up PLL performs the clock synchronization necessary to address the CPRI v7.0 Specification requirements R-17, R-18, and R-18A, which address jitter and frequency accuracy in the RE core clock for radio transmission.

Drive the clean-up PLL with the CPRI v7.0 IP core `xcvr_recovered_clk` output clock, and connect the cleaned up output to the external TX PLL input reference clock port. In the hybrid clocking mode, in 8110.08, 10137.6, 12165.12 and 24330.24 Mbps IP core variations, you should connect the cleaned up output to the `cpri_coreclk` input clock port as well. In the external clocking mode, you can optionally connect the cleaned up output to the `cpri_coreclk` input clock port.

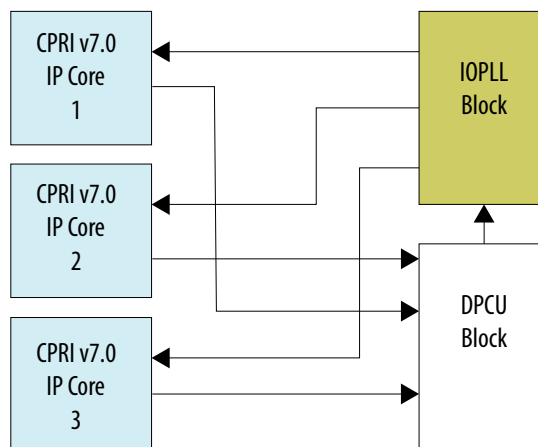
Related Information

[CPRI v7.0 IP Core Clocking Structure](#) on page 38

2.5.5. Adding and Connecting the Single-Trip Delay Calibration Blocks

If you turn on **Enable single-trip delay calibration** in the CPRI v7.0 parameter editor, and **Synchronization mode** is set to **Slave**, the CPRI v7.0 IP core requires that you connect the IOPLL (`p11_core` block) and the Dynamic Phase Control Unit (DPCU) (`p11_dpcu` block). You must generate a device core PLL to create the IOPLL. Intel provides the DPCU block with the CPRI v7.0 IP core, but you must connect it, and the IOPLL, in your design. A single IOPLL block and a single DPCU block can connect to multiple CPRI v7.0 IP cores.

Figure 5. Connecting a Single DPCU Block and Single IOPLL Block to Multiple CPRI v7.0 IP Cores



You must generate a non-transceiver PLL IP core to create the IOPLL block. You can use the IP Catalog to generate the external PLL IP core that configures a core PLL on the device. In the IP Catalog, select an Intel FPGA IP core that configures an appropriate PLL on your target device.



For your Intel Arria 10 design, you must select **Arria 10 FPLL** in the IP Catalog. In the parameter editor for the fPLL IP core, you must set the following parameter values:

- Set **fPLL Mode** to **Core**.
- Set the PLL output frequency to the expected input frequency for the CPRI v7.0 IP core `cpri_coreclk` input signal.
- Turn on **Enable access to dynamic phase shift ports**.

You must connect the IOPLL and DPCU signals to the CPRI v7.0 IP core signals according to the following rules. Refer to [Example CPRI v7.0 Clock Connections in Different Clocking Modes](#) on page 41 for an illustration of the clock connections.

Table 15. Required Connections to and From IOPLL Block in CPRI v7.0 Design With Single-Trip Delay Calibration

IOPLL Block Signal	Connect to
<code>cntsel</code> (input)	DPCU <code>p11_cntsel</code> output signal
<code>num_phase_shifts</code> (input)	DPCU <code>p11_num_phase_shifts</code> output signal
<code>outclk_0</code> (output)	CPRI v7.0 IP core <code>cpri_coreclk</code> input clock signal
<code>phase_done</code> (output)	DPCU <code>p11_phase_done</code> input signal
<code>phase_en</code> (input)	DPCU <code>p11_phase_en</code> output signal
<code>refclk</code> (input)	CPRI v7.0 IP core <code>tx_clkout</code> output signal or output from the off-chip clean-up PLL
<code>rst</code> (input)	Drive with the inverse of the CPRI v7.0 IP core <code>reset_n</code> input signal
<code>scanclk</code> (input)	DPCU <code>p11_scanclk</code> output signal
<code>updn</code> (input)	DPCU <code>p11_updn</code> output signal

Table 16. Required Connections to and From DPCU Block in CPRI v7.0 Design With Single-Trip Delay Calibration

DPCU Block Signal	Connect to
<code>clk</code>	Drive in the frequency range of 100–150 MHz. <i>Note:</i> Intel recommends that you drive this DPCU input clock with the source for the <code>reconfig_clk</code> .
<code>reset_n</code> (input)	CPRI v7.0 IP core <code>reset_n</code> input signal
<code>csr_bit_rate</code> (input)	If you turned on Enable line bit rate auto-negotiation in the CPRI v7.0 parameter editor, connect to the CPRI v7.0 IP core <code>nego_bitrate_out[4:0]</code> output signal. If autorate negotiation is not turned on, hardwire the DPCU <code>csr_bit_rate</code> signal to the encoded value for the CPRI line bit rate: <ul style="list-style-type: none"> • 6'b000001: 0.6144 Gbps • 6'b000010: 1.2288 Gbps • 6'b000100: 2.4576 Gbps • 6'b000101: 3.0720 Gbps • 6'b001000: 4.9150 Gbps • 6'b001010: 6.1440 Gbps • 6'b010110: 8.11008 Gbps

continued...



DPCU Block Signal	Connect to
	<ul style="list-style-type: none">6'b010000: 9.8304 Gbps6'b010100: 10.1376 Gbps6b'011000: 12.16512 Gbps6'b110000 : 24.33024 Gbps
cal_status (output)	CPRI v7.0 IP core cal_status input signal
cal_ctrl (input)	CPRI v7.0 IP core cal_ctrl output signal
pll_cntsel (output)	IOPLL cntsel input signal
pll_num_phase_shifts (output)	IOPLL num_phase_shifts input signal
pll_phase_done (input)	IOPLL phase_done output signal
pll_phase_en (output)	IOPLL phase_en input signal
pll_scancclk (output)	IOPLL scancclk input signal
pll_updn (output)	IOPLL updn input signal

User logic must provide the connections.

2.6. Simulating Intel FPGA IP Cores

The Intel Quartus Prime software supports RTL- and gate-level design simulation of Intel FPGA IP cores in supported EDA simulators. Simulation involves setting up your simulator working environment, compiling simulation model libraries, and running your simulation.

You can use the functional simulation model and the testbench or example design generated with your IP core for simulation. The IP generation output also includes scripts to compile and run any testbench. For a complete list of models or libraries required to simulate your IP core, refer to the scripts generated with the testbench.

Related Information

- [Simulating Intel FPGA IP Cores](#)
- [Simulating Altera FPGA Designs chapter in Quartus Prime Standard Edition Handbook, Volume 3: Verification](#)
- [Simulating Intel FPGA Designs chapter in Intel Quartus Prime Pro Edition Handbook, Volume 3: Verification](#)

2.7. Understanding the Testbench

Intel provides a demonstration testbench with the CPRI v7.0 IP core.

If you click **Generate Example Design** in the CPRI v7.0 parameter editor for Intel Arria 10, and Intel Stratix 10 device variations, the Quartus Prime software generates the demonstration testbench. The parameter editor prompts you for the desired location of the testbench. For V-series device variations, you click **Finish** to generate the design example in Intel Quartus Prime Standard Edition software.



The testbench performs the following sequence of actions with the static DUT

1. Enables transmission on the CPRI link by setting the `tx_enable` bit (bit [0]) of the CPRI IP core `L1_CONFIG` register at offset 0x8 (and resetting all other fields of the register)>
2. Configures the DUT at the highest possible HDLC bit rate for the CPRI line bit rate, by setting the `tx_slow_cm_rate` field of the CPRI `CM_CONFIG` register at offset 0x1C to the appropriate value.
3. Reads the `CM_CONFIG` register to confirm settings.
4. After the DUT and the testbench achieve frame synchronization, executes the following transactions (Only when you turn on corresponding interface in IP parameter editor):
 - a. Performs several write transactions to the AUX Tx interface and confirms the testbench receives them on the CPRI link.
 - b. Performs several write transactions to the VS interface and confirms the testbench receives them from the DUT on the CPRI link.
 - c. Performs several write transactions to the RTVS interface for the 10G variant, and confirms the testbench receives them from the DUT on the CPRI link.
 - d. Performs several write transactions to the Ctrl_AxC interface and confirms the testbench receives them from the DUT on the CPRI link.
 - e. Performs several HDLC transactions and confirms the testbench receives them from the DUT on the CPRI link.
 - f. Performs several write transactions to the MI or GMI interface and confirms the testbench receives them from the DUT on the CPRI link.

2.8. Running the Testbench

To run the CPRI v7.0 IP core demonstration testbench, follow these steps.

1. In the Quartus Prime software IP Catalog, select the CPRI v7.0 IP core and click **Add**.
2. When prompted, you can specify any output file type (HDL). This setting is relevant only for synthesis and does not impact simulation of the demonstration testbench.
3. In the CPRI v7.0 parameter editor, set the following parameter values:

Table 17. CPRI v7.0 IP Core Variation for Demonstration Testbench

The testbench scripts require that you set these values in the CPRI v7.0 parameter editor before you click **Generate Example Design**. The scripts generate the DUT but they require that you provide the parameter values.

Parameter	Value
Line bit rate (Mbit/s)	Any value the device family supports.
Synchronization mode	Master
Operation mode	Any available mode
Transmitter local clock division factor	1
Number of receiver CDR reference clock(s)	1
<i>continued...</i>	



Parameter	Value
Receiver CDR reference clock frequency (MHz)	253.44 if the Line bit rate is 8.11008 or 10.1376 or 12.16512 Gbps and the IP core targets the Intel Stratix 10 device family 368.64 if the Line bit rate is 24.33024 Gbps and the IP core targets the Intel Stratix 10 device family 253.44 if the Line bit rate is 8.11008 or 10.1376 Gbps and the IP core targets the Intel Arria 10 device family 253.44 if the Line bit rate is 8.11008 or 10.1376 Gbps and the IP core targets a 28-nm device family 253.44 if the Line bit rate is 8.11008 Gbps and the IP core targets Arria V GZ device family 307.2 for all other cases
Core clock source input	Internal or External
Recovered clock source	PMA if the Line bit rate is 10.1376 Gbps and IP core targets the Stratix V device family; PCS otherwise
Receiver soft buffer depth (value shown is log ₂ of actual depth)	6
Enable line bit rate auto-negotiation	Turn off
Enable line bit rate auto-negotiation down to 614.4 Mbps	Not available
Management (CSR) interface standard	Avalon-MM
Avalon-MM interface addressing type	Word
Auxiliary and direct interfaces write latency cycle(s)	0
Enable auxiliary interface	Turn on or Turn off
Enable all control word access via management interface	Turn off
Enable direct Z.130.0 alarm bits access interface	Turn off
Enable direct ctrl_axc access interface	Turn on or Turn off
Enable direct vendor specific access interface	Turn on or Turn off
Enable direct real-time vendor specific interface	Turn on or Turn off
Enable start-up sequence state machine	Turn off
Enable protocol version and C&M channel setting auto-negotiation	Not available
Enable direct IQ mapping interface	Turn on or Turn off
Enable HDLC serial interface	Turn on or Turn off
Ethernet PCS interface	NONE, MII or GMII
L2 Ethernet PCS Tx/Rx FIFO depth (value shown is log ₂ of actual depth)	8
Enable L1 debug interfaces	Turn off
Enable ADME, transceiver capability, control and status registers access	Turn off
Enable transceiver PMA serial forward loopback path	Turn off
Enable parallel forward loopback paths	Turn off
Enable parallel reversed loopback paths	Turn off
Enable single-trip delay calibration	Not available
<i>continued...</i>	



Parameter	Value
Enable round-trip delay calibration	Turn off
Round-trip delay calibration FIFO depth	Not available
Language for top-level simulation file	<ul style="list-style-type: none"> Verilog VHDL

- For Intel Stratix 10 and Intel Arria 10 device variations, click the **Generate Example Design** button in the CPRI v7.0 parameter editor button and specify the desired location of the testbench. For V-series device variations, click **Finish** button and leave the **Generate Example Design** checked in Intel Quartus Prime Standard Edition software. In this case, you don't have a choice to specify desired location of the testbench. The IP saves the design example in the following location: `<your_ip>_testbench/altera_cpri_ii/`.
- For Intel Stratix 10 and Intel Arria 10 device variations, change directory to `<your_ip>/setup_scripts/<simulator_vendor>`. For V-series device variations, change directory to `<your_ip>_testbench/altera_cpri_ii/setup_scripts/<simulator_vendor>`.
- If you are using a simulator that requires that you open a user interface, open your target simulator.
Note: You must select a simulator that is supported by the Intel Quartus Prime software version you are using.
- Execute the simulation script available for your simulation in the directory.
 - In the Mentor Graphics ModelSim simulator, type `do msim_commands.do`
- You can modify testbench parameters from a file `params_list.sv`, located at `<your_ip>/testbench` location for Intel Stratix 10 and Intel Arria 10 device variations. You can find this file at `<your_ip>_testbench/altera_cpri_ii/testbench` location for V-series device variations.

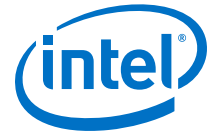
2.9. Compiling the Full Design and Programming the FPGA

You can use the **Start Compilation** command on the Processing menu in the Intel Quartus Prime software to compile your design. After successfully compiling your design, program the targeted Intel FPGA with the Programmer and verify the design in hardware.

Note: The IP core directory includes a Synopsys Constraint (`.sdc`) file at `<IP core instance directory>/altera_cpri_ii_instance_<Intel Quartus Prime release>/synth/altera_cpri.sdc`.

Related Information

- [Incremental Compilation for Hierarchical and Team-Based Design](#)
- [Programming Intel FPGA Devices: Intel Quartus Prime Standard Edition Software](#)
- [Programming Intel FPGA Devices: Intel Quartus Prime Pro Edition Software](#)



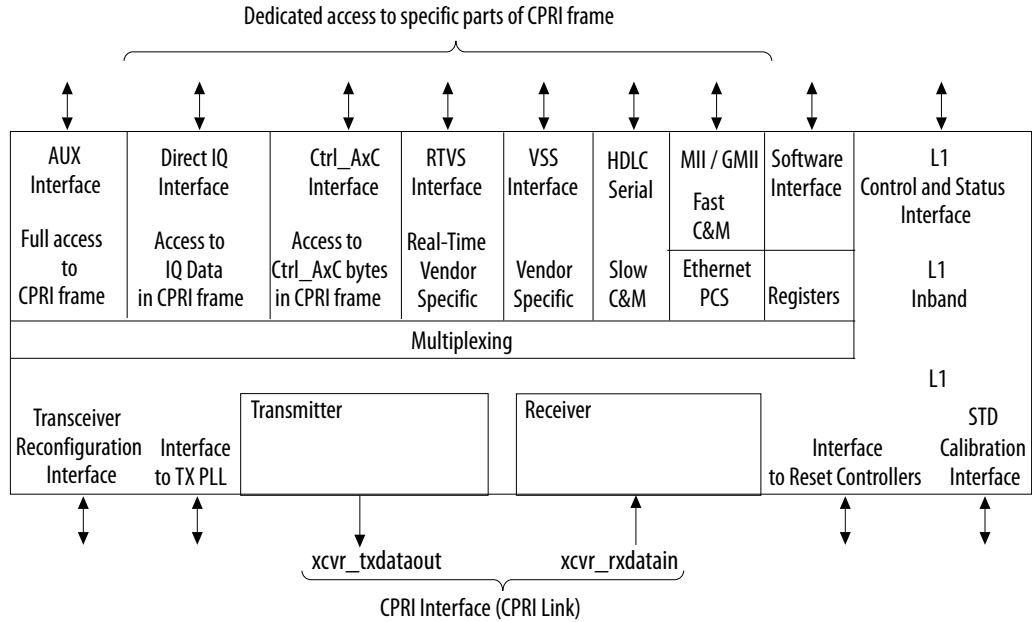
3. Functional Description

The CPRI v7.0 IP core implements Layer 1 of the CPRI v7.0 specification and provides optional CPRI v7.0 Layer 2 access points through various interfaces.

3.1. Interfaces Overview

Figure 6. CPRI v7.0 IP Core Interfaces

The IP core assembles the outbound CPRI frame control words and data from all of these interfaces, and unloads and routes control words and data from the inbound CPRI frame to the appropriate interfaces, based on configuration and register settings. With parameter settings, you control the presence or absence of the AUX interface, the L1 control and status interface, and each of the interfaces that provide dedicated access to specific parts of the CPRI frame. In contrast, the CPRI interface, the transceiver interfaces, and the software interface to the IP core registers are always implemented.





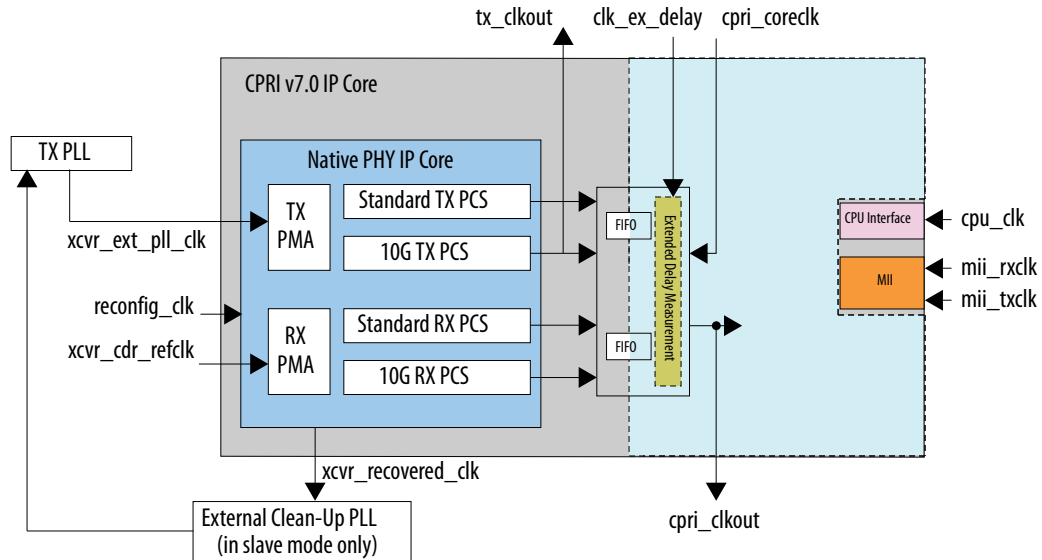
Multiple interfaces control the contents of the outbound CPRI frame control words and data. The CPRI v7.0 implements the following transmission priorities among these interfaces:

- CPRI frame control words:
 1. If the IP core implements the AUX interface, the AUX interface `aux_tx_data` bus, with appropriate delay, has first priority in filling in the outbound CPRI frame control words.
 2. If the IP core does not implement the AUX interface, or the `aux_tx_mask` value associated with the relevant incoming data blocks the relevant `aux_tx_data` bits, each of the following interfaces, if implemented, has secondary priority in filling the relevant part of the outbound CPRI frame control words:
 - Real-time vendor specific interface (RTVS)
 - Vendor specific interface (VS)
 - AxC control information interface (Ctrl_AxC)
 3. For any part of the CPRI frame control words not filled in by one of the previous methods, the transmission-enabled values most recently written to the control transmit table through the full control word access registers `CTRL_INDEX` and `TX_CTRL` determine the contents of the outbound CPRI frame control words. If the most recently written word for a CPRI frame position is not transmission-enabled, no transmission is authorized from the control transmit table to that CPRI frame position.
 4. If none of the previous methods provides the content for a position in the CPRI frame control word, the following interfaces, if implemented, have the lowest priority in filling the relevant part of the outbound CPRI frame control words:
 - Fast control and management (Ethernet) MII or GMII interface
 - Slow control and management (HDLC) serial interface
 - L1 control and status interface
 - Dedicated registers that contain or control content for control word positions in the CPRI frame. For example, the `rx_prot_ver_filter` field of the `PROT_VER` register
 - Transmission of special symbols according to the CPRI protocol. For example, K28.5, D16.2, /S/, or /T/
- CPRI frame I/Q data words:
 1. If the IP core implements the AUX interface, the AUX interface `aux_tx_data` bus, with appropriate delay, has first priority in filling in the outbound CPRI frame I/Q data words.
 2. If the IP core does not implement the AUX interface, or the `aux_tx_mask` value associated with the relevant incoming data blocks the relevant `aux_tx_data` bits, the Direct I/Q interface, if implemented, has secondary priority in filling the relevant part of the outbound CPRI frame I/Q data words.

3.2. CPRI v7.0 IP Core Clocking Structure

Figure 7. CPRI v7.0 IP Core Clocking Structure

Illustrates the clocks and clock domains in the CPRI v7.0 IP core. Clock domains shown are `cpri_clkout`, `clk_ex_delay`, `cpu_clk`, and `mii_{rx,tx}clk`. The external clean-up PLL is only required in slave clocking mode. The `tx_clkout` is only available in external clocking mode, and the `xcvr_recovered_clk` is only available in slave clocking mode.



The main CPRI v7.0 IP core clock is `cpri_clkout`.

Table 18. CPRI v7.0 IP Core Input Clocks

CPRI v7.0 Input Clock	Information
<code>xcvr_ext_pll_clk</code>	Clocks the transmitter PMA. You should drive this input clock with the output of the external TX PLL. The frequency of this clock must be one half of the CPRI line bit rate, multiplied by the local clock division factor. You must configure a PLL IP core that is capable of driving the required frequency.
<code>xcvr_cdr_refclk</code> or <code>xcvr_cdr_refclk[1:0]</code>	Receiver CDR reference clock. You must drive this clock at the frequency you specified for the Receiver CDR reference clock frequency (MHz) parameter in the CPRI v7.0 parameter editor. If you set the Number of receiver CDR reference clock(s) parameter in the CPRI v7.0 parameter editor to the value of 2 , this clock is two bits wide. In the case of a two-bit <code>xcvr_cdr_refclk</code> port, drive <code>xcvr_cdr_refclk[0]</code> with the reference clock for the initial CPRI line bit rate, because by default, this is the clock signal that drives the CDR. The IP core supports all CDR reference clock frequencies available in the drop-down menu for the Receiver CDR reference clock frequency (MHz) parameter.
<code>reconfig_clk</code>	In Arria V, Arria V GZ, Cyclone V, and Stratix V variations, clock for CPRI v7.0 IP core transceiver start-up and reconfiguration. In Intel Arria 10 and Intel Stratix 10 variations, clocks the signals on the CPRI v7.0 transceiver reconfiguration interface. In these variations, this clock is not present if you turn off all of Enable start-up sequence state machine , Enable ADME , transceiver capability , control and status registers access , and parameters only available in Intel Arria 10 variations, Enable line bit rate auto-negotiation , Enable single-trip delay calibration .

continued...



CPRI v7.0 Input Clock	Information	
	<p>In variations that target any other supported device family, this clock is not present if you turn off both Enable line bit rate auto-negotiation, Enable start-up sequence state machine.</p> <p>The supported frequency range of this clock is 100–150 MHz.</p>	
ex_delay_clk	Clock for extended delay measurement.	
latency_sclk	<p>Clock for delay measurement through the Intel Stratix 10 hard FIFO buffers in the PCS and the core. You can (but need not) drive this clock at the same frequency as ex_delay_clk. This clock is present only in IP cores that target an Intel Stratix 10 device.</p>	
cpri_coreclk	<p>In hybrid clocking mode, this clock drives the CPRI v7.0 IP core clock cpri_clkout when the IP core is running at the CPRI line bit rate of 8.11008, 10.1376, 12.16512 or 24.33024 Gbps and a clock from the transceiver PHY drives the cpri_clkout at all other rates. In external clocking mode, cpri_coreclk drives cpri_clkout at all CPRI line rates. In internal clocking mode, the clock from transceiver PHY drives cpri_clkout.</p> <p>The frequency at which you must drive cpri_coreclk depends on the CPRI line bit rate:</p>	
	<p style="text-align: center;">CPRI Line Bit Rate</p>	<p style="text-align: center;">cpri_coreclk Frequency</p>
	0.6144 Gbps	15.36 MHz
	1.2288 Gbps	30.72 MHz
	2.4576 Gbps	61.44 MHz
	3.0720 Gbps	76.80 MHz
	4.9152 Gbps	122.88 MHz
	6.1440 Gbps	153.60 MHz
	8.11008 Gbps	245.76 MHz
	9.8304 Gbps	245.76 MHz
	10.1376 Gbps	307.20 MHz
	12.16512 Gbps	184.32 MHz
	24.33024 Gbps	368.64 MHz
	<p>You must drive this clock from the same clock source as the xcvr_ext_pll_clk input signal to the IP core.</p>	
cpu_clk	Clocks the signals on the CPRI v7.0 CPU interface. Supports any frequency that the device fabric supports.	
mii_txclk	<p>mii_txclk clocks the MII transmitter interface and mii_rxclk clocks the MII receiver interface. You must drive these clocks at the frequency of 25 MHz/2.5 MHz to achieve the 100 Mbps/10 Mbps bandwidth required for this interface.</p> <p>These clocks are present only if you set the value of Ethernet PCS interface to the value of MII in the CPRI v7.0 parameter editor.</p>	
mii_rxclk		
gmii_txclk	<p>gmii_txclk clocks the GMII transmitter interface and gmii_rxclk clocks the GMII receiver interface. You must drive these clocks at the frequency of 125 MHz to achieve the 1000 Mbps bandwidth required for this interface.</p> <p>These clocks are present only if you set the value of Ethernet PCS interface to the value of GMII in the CPRI v7.0 parameter editor.</p>	
gmii_rxclk		



Table 19. CPRI v7.0 IP Core Output Clocks

CPRI v7.0 Output Clock	Information	
cpri_clkout	<p>Master clock for the CPRI v7.0 IP core. In hybrid clocking mode, when the IP core is running at the CPRI line bit rate of 8.11008, 10.1376, 12.16512 or 24.33024 Gbps, the cpri_coreclk input clock drives cpri_clkout. At all other CPRI line bit rates, the Tx PCS drives cpri_clkout.</p> <p>In internal clocking mode, the TX PCS drives the cpri_clkoutI at all CPRI line bit rates.</p> <p>In external clocking mode, the cpri_coreclk input clock drives cpri_clkout at all CPRI line bit rates.</p> <p>The frequency of cpri_clkout depends on the CPRI line bit rate:</p>	
	CPRI Line Bit Rate	cpri_clkout Frequency
	0.6144 Gbps	15.36 MHz
	1.2288 Gbps	30.72 MHz
	2.4576 Gbps	61.44 MHz
	3.0720 Gbps	76.80 MHz
	4.9152 Gbps	122.88 MHz
	6.1440 Gbps	153.60 MHz
	8.11008 Gbps	245.76 MHz
	9.8304 Gbps	245.76 MHz
	10.1376 Gbps	307.20 MHz
	12.16512 Gbps	184.32 MHz
	24.33024 Gbps	368.64 MHz
xcvr_recovered_clk	<p>Direct recovered clock from the receiver CDR. Use this output clock to drive the external clean-up PLL when your IP core is in slave mode.</p> <p>The IP core drives this clock from the PCS or the PMA block of the transceiver, depending on the value you set for the Recovered clock source parameter in the CPRI v7.0 parameter editor.</p> <p>This clock is present only in CPRI v7.0 IP cores in slave clocking mode that support RX traffic. (This clock is not present in CPRI v7.0 IP cores with Operation mode set to the value of TX simplex).</p> <p>The frequency of recovered clock speed (xcvr_recovered_clk) depends on the CPRI line bit rate.</p>	
	CPRI Line Bit Rate	cpri_clkout Frequency
	0.6144 Gbps	15.36 MHz
	1.2288 Gbps	30.72 MHz
	2.4576 Gbps	61.44 MHz
	3.0720 Gbps	76.80 MHz
	4.9152 Gbps	122.88 MHz
	6.1440 Gbps	153.60 MHz
	8.11008 Gbps	220.75 MHz
	9.8304 Gbps	245.76 MHz
	<i>continued...</i>	



CPRI v7.0 Output Clock	Information	
	CPRI Line Bit Rate	cpri_clkout Frequency
	10.1376 Gbps	253.44 MHz
	12.16512 Gbps	304.12 MHz
	24.33024 Gbps	380.16 MHz
tx_clkout	TX PCS clock. In external clocking mode, you can use this clock to drive the cpri_coreclk input clock. If your IP core is configured with the single-trip delay calibration feature, you can use this clock to drive the IOPLL block.	

Related Information

Adding the Off-Chip Clean-Up PLL on page 30

3.2.1. Example CPRI v7.0 Clock Connections in Different Cloning Modes

Figure 8. CPRI v7.0 Slave IP Core in Hybrid Cloning Mode

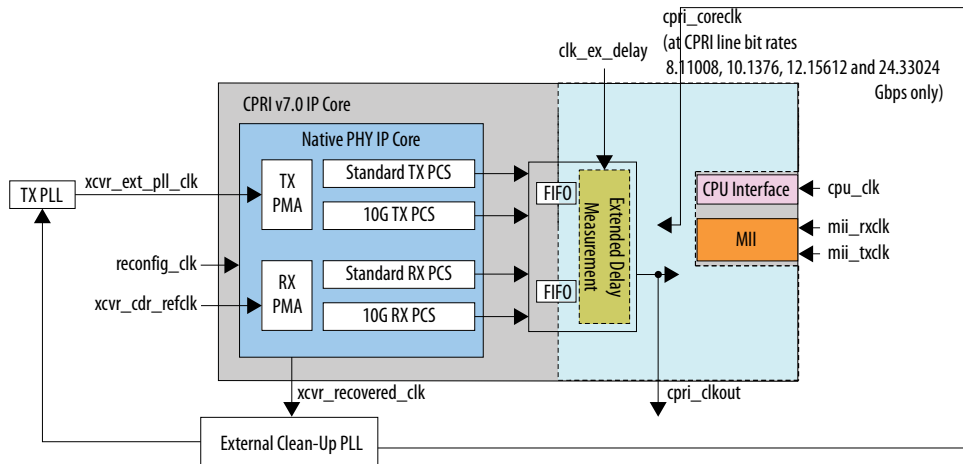


Figure 9. CPRI v7.0 Master IP Core in Hybrid Cloning Mode

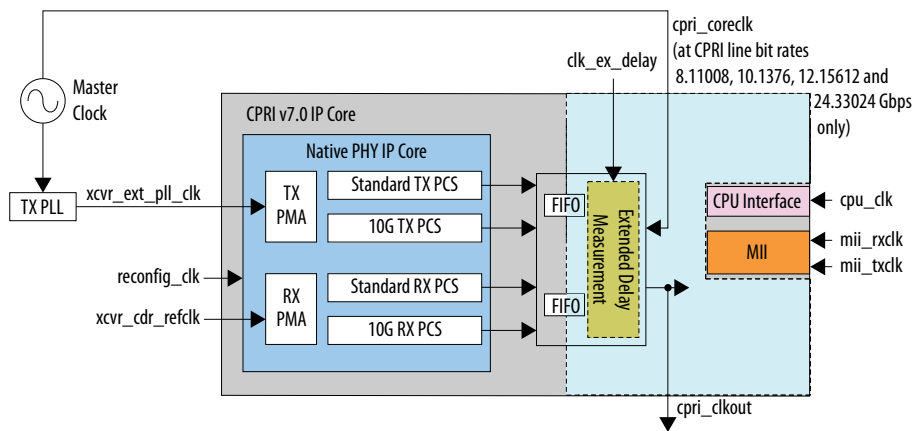


Figure 10. CPRI v7.0 Master IP Core in Internal Clocking Mode

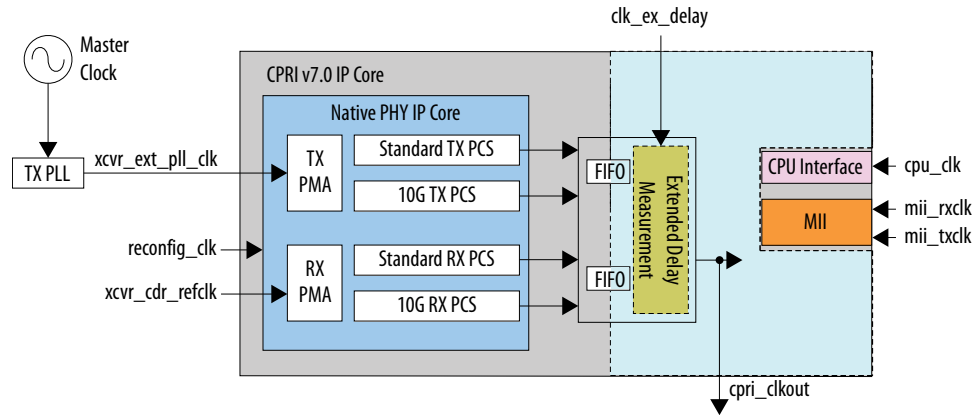


Figure 11. CPRI v7.0 Slave IP Core in Internal Clocking Mode

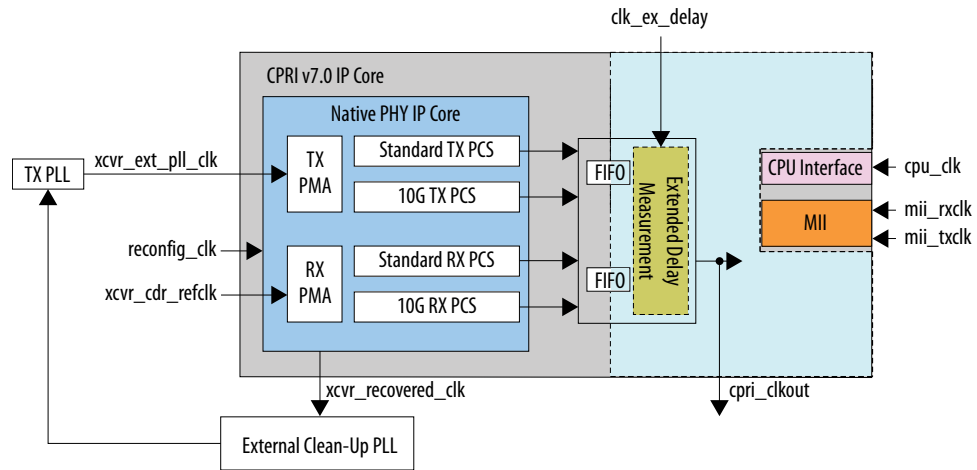


Figure 12. CPRI v7.0 Slave IP Core in External Clocking Mode

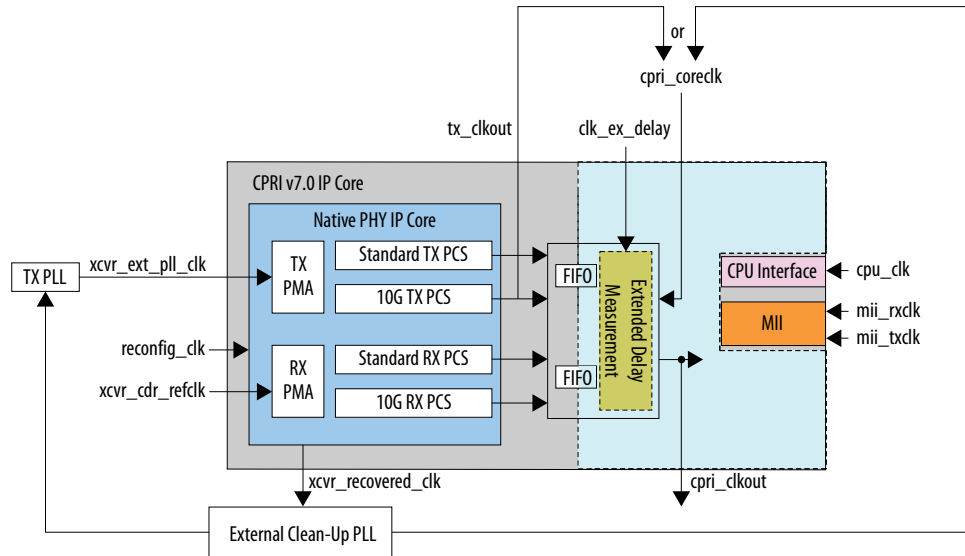


Figure 13. CPRI v7.0 Master IP Core in External Clocking Mode

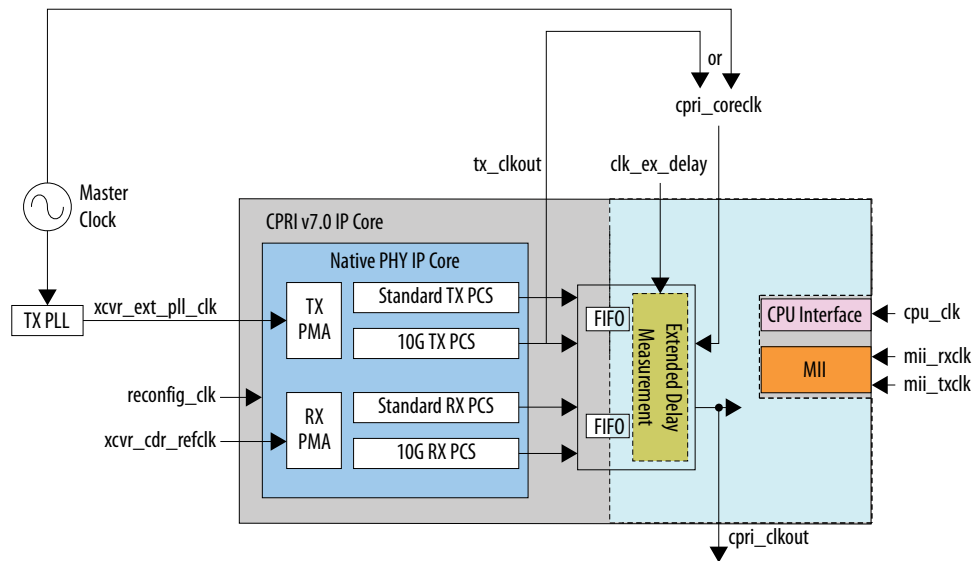
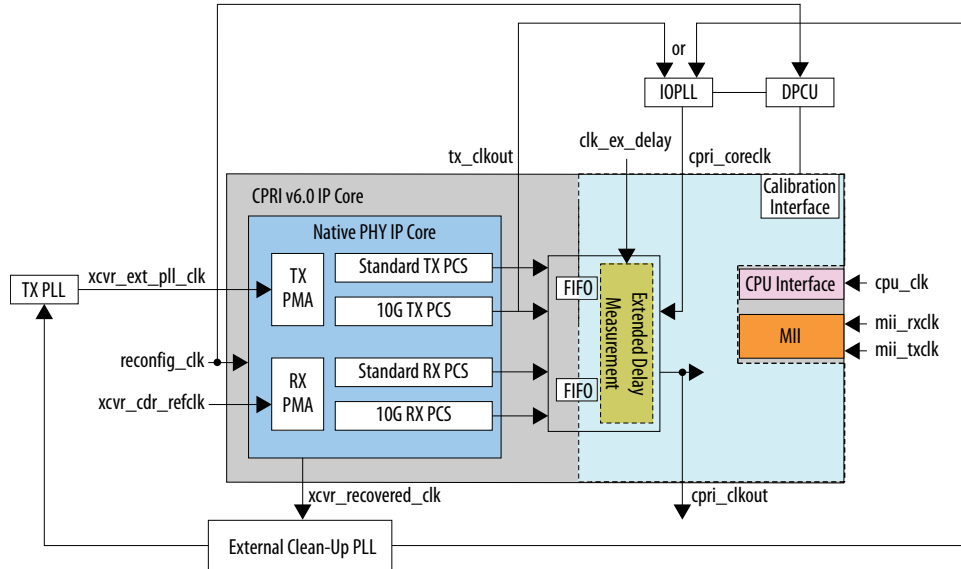


Figure 14. CPRI v7.0 Slave IP Core in External Clocking Mode with Single-Trip Delay Calibration Feature

Intel provides the IOPLL and DPCU blocks with the CPRI v7.0 IP core. For correct single-trip delay calibration functionality, you must connect these blocks as shown.



3.3. CPRI v7.0 IP Core Reset Requirements

To reset the entire CPRI v7.0 IP core, you must assert the reset signals to the IP core and to the required external reset controller logic. The external reset controller logic resets only the transceiver. If you instantiate a duplex CPRI v7.0 IP core, you must instantiate two PHY Reset Controllers to implement this logic, one for the TX data path and one for the RX data path. The two reset signals `reset_tx_n` and `reset_rx_n` each cause the reset logic to reset the relevant data path of the IP core. If you connect these two reset signals to the corresponding PHY Reset Controllers, each one also causes the transceiver in that data path to reset.

In the case of a duplex CPRI v7.0 IP core, you can assert the `reset_n` signal instead of asserting the two reset signals `reset_tx_n` and `reset_rx_n`. However, unless you also connect the `reset_n` signal to the external reset controllers, the transceivers do not reset in this case.

In addition, some individual interfaces to the IP core have their own reset signals to reset only the associated interface and logic.

Table 20. CPRI v7.0 IP Core Reset Signals

You can assert all reset signals asynchronously to any clock. However, you must hold each reset signal asserted for one full clock period of its associated clock, to ensure it is captured by the IP core.

CPRI v7.0 IP Core Reset Signal	Polarity	Associated Clock	Information
<code>xvcr_tx_analogreset</code>	Active high	—	Analog reset to transmitter from external reset controller.
<code>xvcr_tx_digitalreset</code>	Active high	—	Digital reset to transmitter from external reset controller.
<i>continued...</i>			

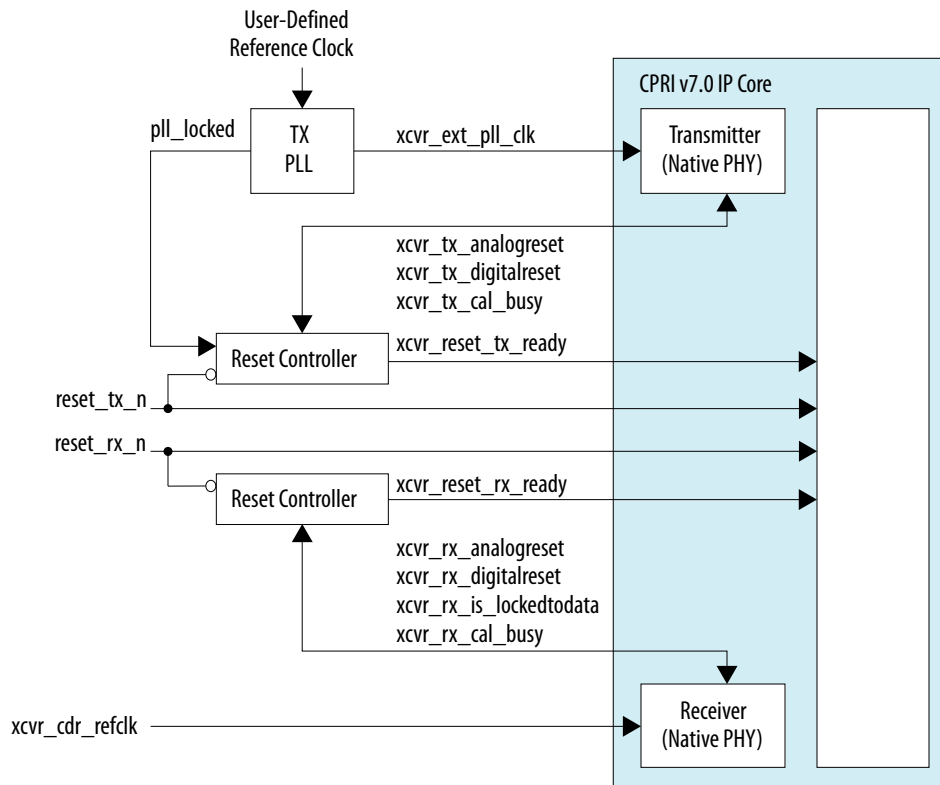


CPRI v7.0 IP Core Reset Signal	Polarity	Associated Clock	Information
xcvr_rx_analogreset	Active high	—	Analog reset to receiver from external reset controller.
xcvr_rx_digitalreset	Active high	—	Digital reset to receiver from external reset controller.
reset_n	Active low	reconfig_clk	Asynchronous global reset signal. Resets the IP core soft logic. This signal does not reset the CSR registers, the extended delay measurement settings, or the transceivers. To reset the CSR registers, you must assert the <code>cpu_reset_n</code> signal. To reset the extended delay measurement settings, you must assert the <code>ex_delay_reset_n</code> signal. To reset the transceiver you must drive the reset input port of the required PHY Reset Controllers.
reset_tx_n	Active low	reconfig_clk	Asynchronous global reset signal that resets the TX path of the CPRI v7.0 IP core. Resets the IP core soft logic. To reset the transceiver you must drive the reset input port of the required PHY Reset Controller.
reset_rx_n	Active low	reconfig_clk	Asynchronous global reset signal that resets the RX path of the CPRI v7.0 IP core. Resets the IP core soft logic. To reset the transceiver you must drive the reset input port of the required PHY Reset Controller.
ex_delay_reset_n	Active low	ex_delay_clk	Resets the extended delay measurement block.
latency_sreset_n	Active low	latency_sclk	Resets the Intel Stratix 10 hard FIFO delay measurement soft logic.
reconfig_reset	Active high	reconfig_clk	Asynchronous reset signal. Resets the CPRI v7.0 Intel Arria 10 or Intel Stratix 10 transceiver reconfiguration interface and all of the registers to which it provides access. In IP cores that target a 28-nm device, this signal is involved in rate switching and auto-rate negotiation. In Intel Arria 10 and Intel Stratix 10 variations, this signal is not present if you turn off all of Enable start-up sequence state machine, Enable ADME, transceiver capability, control and status registers access , and parameters only available in Intel Arria 10 variations, Enable line bit rate auto-negotiation, Enable single-trip delay calibration . In variations that target other devices, this signal is not present if you turn off all of Enable line bit rate auto-negotiation, Enable start-up sequence state machine .
cpu_reset_n	Active low	cpu_clk	Resets the CPRI v7.0 CPU interface and all of the registers to which it provides access.
mii_txreset_n	Active low	mii_txclk	Resets the MII transmitter interface and FIFO write logic.
			<i>continued...</i>

CPRI v7.0 IP Core Reset Signal	Polarity	Associated Clock	Information
mii_rxreset_n	Active low	mii_rxclk	Resets the MII receiver interface and FIFO read logic.
gmi_i_txreset_n	Active low	gmi_i_txclk	Resets the GMII transmitter interface and FIFO write logic.
gmi_i_rxreset_n	Active low	gmi_i_rxclk	Resets the GMII receiver interface and FIFO read logic.

Figure 15. Required External Blocks

An example showing how you could connect required components to a single CPRI v7.0 IP core that targets an Arria 10 device.



To reset the CPRI v7.0 IP core, you must assert the active low `reset_tx_n`, `reset_rx_n`, `reset_tx_n` and `reset_rx_n`, or `reset_n` signals, as appropriate.

To reset the transceiver, you must trigger the reset controller logic. If you make the optional connection to drive the `reset_rx_n` or `reset_n` port from the same source as the reset signal for the RX side Reset Controller, asserting the active low `reset_rx_n` or `reset_n` signal also triggers the reset controller logic. If you make the optional connection to drive the `reset_tx_n` or `reset_n` port from the same source as the reset signal for the TX side Reset Controller, asserting the active low `reset_tx_n` or `reset_n` signal also triggers the TX reset controller logic.



When you trigger the reset controllers, they should deassert the `xcvr_reset_tx_ready` and `xcvr_reset_rx_ready` input ready signals to the IP core. After each reset controller completes resetting the transceiver and IP core data path, it should assert the relevant ready signal.

Related Information

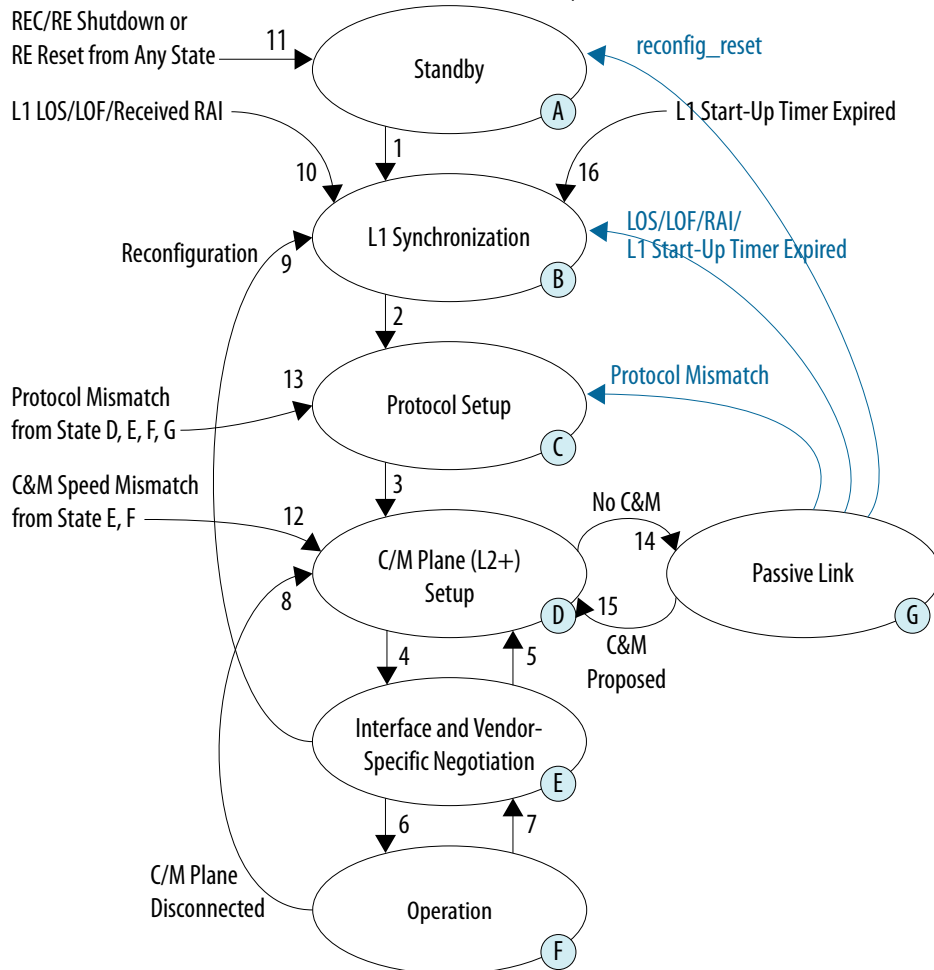
[Integrating Your IP Core in Your Design: Required External Blocks](#) on page 24
Shows main data path reset signals and how the reset controller connects to the IP core.

3.4. Start-Up Sequence Following Reset

After reset, if you turned on **Enable start-up sequence state machine** in the CPRI v7.0 IP core, the internal state machine performs link synchronization and other initialization tasks. If you did not turn on **Enable start-up sequence state machine**, user logic should perform these functions.

Figure 16. Start-up states and transitions Figure From CPRI v7.0 Specification With IP Core Additions

States and transitions marked in black are from the CPRI v7.0 specification Figure 30: Start-up states and transitions. Additional transitions from State G that the IP core implements are marked in blue.



The internal state machine implements the start-up state machine transitions shown in section 4.5.2, Figure 30: Start-up states and transitions, and described in section 4.5.3, in the CPRI specification. In addition, the internal state machine implements the following transitions from State G: Passive Link.

- If you assert `reconfig_reset`, the start-up state machine transitions to State A.
- If the IP core detects any of the following situations, the start-up state machine transitions to State B:
 - **Loss of signal (LOS)**. Refer to *Direct L1 Control and Status Interface* and *FLSAR Register*.
 - **Loss of frame (LOF)**. Refer to *Direct L1 Control and Status Interface* and *FLSAR Register*.
 - **Remote alarm indication (RAI)**. Refer to *Direct L1 Control and Status Interface* and *FLSAR Register*.
 - **L1 start-up timer expiration**. If you turn on **Enable start-up sequence state machine** option, the IP core responds to both the `nego_ll_timer_expired` port and `startup_timer_expired` field of the `START_UP_SEQ` register at offset 0x24.
- If the IP core detects that protocol negotiation is not complete, the start-up state machine transitions to State C. The IP core detects that protocol negotiation is not complete if all of the following conditions hold:
 - `nego_protocol_complete` signal has the value of 0, and
 - `nego_protocol_complete` field of the `START_UP_SEQ` register at offset 0x24 has the value of 0, and
 - Slave protocol version does not match the protocol version of the CPRI master. Specifically, the `rx_prot_ver` and `tx_prot_ver` fields of the `PROT_VER` register at offset 0x10 have different values. When you turn on **Enable protocol version and C&M channel setting auto-negotiation** option, the IP core allows deframer to detect the incoming protocol version to the `csr_rx_prot_ver`, and compare it to the proposed `tx_prot_ver`. Then IP core detects that the protocol negotiation is complete.
- If the IP core detects that control and management negotiation is complete, the start-up state machine transitions to State D. The IP core detects that control and management negotiation is not yet complete if all of the following conditions hold:
 - `nego_cm_complete` signal has the value of 0, and
 - `nego_cm_complete` field of the `START_UP_SEQ` register at offset 0x24 has the value of 0, and
 - `rx_slow_cm_rate_valid` field of the `CM_STATUS` register has the value of 0, and
 - `rx_fast_cm_ptr_valid` field of the `CM_STATUS` register has the value of 0.

Related Information

- [Direct L1 Control and Status Interface](#) on page 70
- [FLSAR Register](#) on page 122



3.4.1. Start-Up Sequence Interface Signals

After reset, if you turned on **Enable start-up sequence state machine** in the CPRI v7.0 IP core, the internal state machine performs link synchronization and other initialization tasks. If you did not turn on **Enable start-up sequence state machine**, user logic must perform these functions.

The signals visible in the interface depend on whether or not you turned on **Enable start-up sequence state machine**.

Table 21. Start-Up Sequence Interface Signals

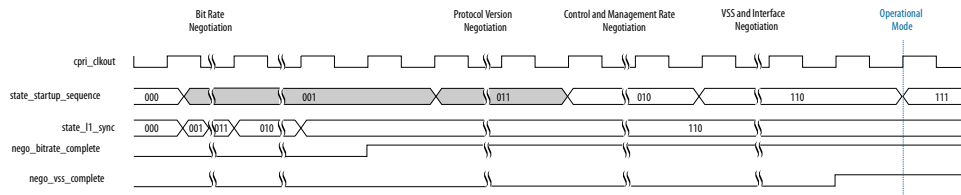
All interface signals are clocked by the `cpri_clkout` clock.

Signal Name	Direction	Description
<code>state_startup_seq[2:0]</code>	Output	Indicates the state of the CPRI start-up sequence state machine. This signal has the following valid values: <ul style="list-style-type: none"> 3'b000: State A: Standby 3'b001: State B: L1 Synchronization 3'b011: State C: Protocol Setup 3'b010: State D: Control and Management Setup 3'b110: State E: Interface and VSS Negotiation 3'b111: State F: Operation 3'b101: State G: Passive Link This signal is available only if you turn on Enable start-up sequence state machine in the CPRI v7.0 parameter editor.
<code>state_l1_synch[2:0]</code>	Output	State B condition indicator. Indicates the state of the CPRI receiver L1 synchronization state machine. This signal has the following valid values: <ul style="list-style-type: none"> 3'b000: XACQ1 3'b001: XACQ2 3'b011: XSYNC1 3'b010: XSYNC2 3'b110: HFNSYNC
<code>nego_bitrate_complete</code>	Input	Indicates the CPRI line bit rate negotiation is complete. Input from external CPRI line bit rate negotiation block. If you do not turn on Enable line bit rate auto-negotiation in the CPRI v7.0 parameter editor, you should tie this signal high. This signal is available only if you turn on Enable start-up sequence state machine in the CPRI v7.0 parameter editor. Asserting this signal advances the start-up sequence state machine from state B to state C. The IP core writes the value of this signal to the <code>nego_bitrate_complete</code> field of the <code>START_UP_SEQ</code> register at offset 0x24.
<code>nego_protocol_complete</code>	Input	Indicates the CPRI protocol version negotiation is complete. This signal is available only if you turn on Enable start-up sequence state machine in the CPRI v7.0 parameter editor. Asserting this signal advances the start-up sequence state machine from state C to state D. The IP core writes the value of this signal to the <code>nego_protocol_complete</code> field of the <code>START_UP_SEQ</code> register at offset 0x24.
<code>nego_cm_complete</code>	Input	Indicates the Control and Management negotiation is complete. This signal is available only if you turn on Enable start-up sequence state machine in the CPRI v7.0 parameter editor.

continued...

Signal Name	Direction	Description
		Asserting this signal advances the start-up sequence state machine from state D to state E. The IP core writes the value of this signal to the <code>nego_cm_complete</code> field of the <code>START_UP_SEQ</code> register at offset 0x24.
<code>nego_vss_complete</code>	Input	Indicates the Vendor Specific negotiation is complete. This signal is available only if you turn on Enable start-up sequence state machine in the CPRI v7.0 parameter editor. Asserting this signal advances the start-up sequence state machine from state E to state F. The IP core writes the value of this signal to the <code>nego_vss_complete</code> field of the <code>START_UP_SEQ</code> register at offset 0x24.
<code>nego_l1_timer_expired</code>	Input	If you do not turn on Enable protocol version and C&M channel setting auto-negotiation in the CPRI v7.0 parameter editor, drive this signal from your user-defined L1 timer to indicate that the L1 timer has expired. Note that if you do not turn on Enable protocol version and C&M channel setting auto-negotiation , user logic is expected to maintain an L1 timer outside the IP core. This signal is available only if you turn on Enable start-up sequence state machine in the CPRI v7.0 parameter editor. If you also turn on Enable protocol version and C&M channel setting auto-negotiation in the CPRI v7.0 parameter editor, you should tie this signal low so it does not interfere with the internal L1 timer.

Figure 17. Start-Up Sequence State Machine Timing Diagram



3.5. AUX Interface

The CPRI v7.0 IP core auxiliary (AUX) interface provides direct access to the CPRI 10 ms radio frame, including I/Q data and control words. You can use this interface to support your specific application. For example, the AUX interface allows you to implement custom I/Q sample widths and custom mapping schemes.

The AUX interface also enables multi-hop routing applications and provides timing reference information for transmitted and received frames. Using this interface, you can load I/Q data in a precise location in the precise CPRI basic frame you target.

The AUX interface allows you to connect CPRI v7.0 IP core instances and other system components together by supporting a direct connection to a user-defined routing layer or custom mapping block. You implement this routing layer, which is not defined in the CPRI v7.0 Specification, outside the CPRI v7.0 IP core. The AUX interface supports the transmission and reception of I/Q data and timing information between an RE slave and an RE master, allowing you to define a custom routing layer that enables daisy-chain configurations of RE master and slave ports. Your custom routing layer determines the I/Q sample data to pass on to other REs to support multi-hop network configurations and custom mapping algorithms.



If you turn on **Enable auxiliary interface** in the CPRI v7.0 parameter editor, your IP core includes this interface.

3.5.1. AUX Interface Signals

Table 22. AUX Interface Signals

If you turn on **Enable auxiliary interface** in the CPRI v7.0 parameter editor, the AUX interface is available. This interface allows access to the entire CPRI frame and has the highest priority among the L1 interfaces.

You can alter the transmit write latency with the **Auxiliary and direct interfaces write latency cycle(s)** parameter. The default transmit latency, when **Auxiliary and direct interfaces write latency cycle(s)** has the value of zero, is one `cpri_clkout` cycle. You can specify additional latency cycles.

The **Data path width** parameter determines the interface type and width, where N= 32 or 64, C= 3 or 7, and D= 31 or 63.

All interface signals are clocked by the `cpri_clkout` clock.

AUX RX Interface Status Signals		
Signal Name	Direction	Description
<code>auxN_rx_rfp</code>	Output	Synchronization pulse for start of 10 ms radio frame. The pulse occurs at the start of the radio frame on the AUX RX interface.
<code>auxN_rx_hfp</code>	Output	Synchronization pulse for start of hyperframe. The pulse occurs at the start of the hyperframe on the AUX RX interface.
<code>auxN_rx_bfn[11:0]</code>	Output	Current radio frame number on the AUX RX interface.
<code>auxN_rx_z[7:0]</code>	Output	Current hyperframe number on the AUX RX interface. Value is in the range 0–149.
<code>auxN_rx_x[7:0]</code>	Output	Index number of the current basic frame in the current hyperframe on the AUX RX interface. Value is in the range 0–255.
<code>auxN_rx_seq[6:0]</code>	Output	Index number of the current 32-bit word in the current basic frame on the AUX RX interface. The value range depends on the current CPRI line bit rate: <ul style="list-style-type: none"> • 0.6144 Gbps: range is 0–3 • 1.2288 Gbps: range is 0–7 • 2.4576 Gbps: range is 0–15 • 3.0720 Gbps: range is 0–19 • 4.9152 Gbps: range is 0–31 • 6.1440 Gbps: range is 0–39 • 8.11008 Gbps: range is 0–63 • 9.8304 Gbps: range is 0–63 • 10.1376 Gbps: range is 0–79 For 64-bit word, the index number value range is generally half of the value range for 32-bit word: <ul style="list-style-type: none"> • 8.11008 Gbps: range is 0–31 • 10.1376 Gbps: range is 0–39 • 12.16512 Gbps: range is 0–47 • 24.33024 Gbps: range is 0–95 12.16512 and 24.33024 Gbps CPRI line rates uses 64-bit interface. 8.11008 and 10.1376 Gbps CPRI line rates uses 32-bit interface when aut-rate negotiated from 12.16512/24.33024 Gbps



AUX RX Interface Data Signals		
Signal Name	Direction	Description
auxN_rx_data[D:0]	Output	Data the IP core presents on the AUX link. Data is transmitted in 32-bit words. Byte [31:24] is transmitted first and byte [7:0] is transmitted last.
auxN_rx_ctrl[C:0]	Output	Control slots indicator. Each asserted bit indicates that the corresponding byte position in aux_rx_data holds a byte from a CPRI control word.

AUX TX Interface Control and Status Signals		
Signal Name	Direction	Description
auxN_tx_sync_rfp	Input	Synchronization input used in REC master to control the start of a new 10 ms radio frame. Asserting this signal resets the frame synchronization machine. The CPRI v7.0 IP core uses the rising edge of the pulse for synchronization.
auxN_tx_err[C:0]	Output	Indicates that in the previous cpri_clkout cycle, aux_tx_mask bits masked one or more control words in the target CPRI frame. Each bit in aux_tx_err indicates whether the corresponding byte in the 32-bit value on aux_tx_data overwrites a control word in the target CPRI frame.
auxN_tx_rfp	Output	Synchronization pulse for start of 10 ms radio frame. The pulse occurs at the start of the radio frame on the AUX TX interface.
auxN_tx_hfp	Output	Synchronization pulse for start of hyperframe. The pulse occurs at the start of the hyperframe on the AUX TX interface.
auxN_tx_bfn[11:0]	Output	Current radio frame number on the AUX TX interface.
auxN_tx_z[7:0]	Output	Current hyperframe number on the AUX TX interface. Value is in the range 0-149.
auxN_tx_x[7:0]	Output	Index number of the current basic frame in the current hyperframe on the AUX TX interface. Value is in the range 0-255.
auxN_tx_seq[6:0]	Output	Index number of the current 32-bit word in the current basic frame on the AUX TX interface. The value range depends on the current CPRI line bit rate: <ul style="list-style-type: none"> 0.6144 Gbps: range is 0-3 1.2288 Gbps: range is 0-7 2.4576 Gbps: range is 0-15 3.0720 Gbps: range is 0-19 4.9152 Gbps: range is 0-31 6.1440 Gbps: range is 0-39 8.11008 Gbps: range is 0-63 9.8304 Gbps: range is 0-63 10.1376 Gbps: range is 0-79 For 64-bit word, the index number value range is generally half of the value range for 32-bit word: <ul style="list-style-type: none"> 8.11008 Gbps: range is 0-31 10.1376 Gbps: range is 0-39 12.16512 Gbps: range is 0-47 24.33024 Gbps: range is 0-95 12.16512 and 24.33024 Gbps CPRI line rates uses 64-bit interface. 8.11008 and 10.1376 Gbps CPRI line rates uses 64-bit interface when aut-rate negotiated from 12.16512/24.33024 Gbps



AUX TX Interface Data Signals		
Signal Name	Direction	Description
auxN_tx_data[D:0]	Input	Data the IP core receives on the AUX TX interface. The data is aligned with aux_tx_seq with a write delay of one cpri_clkout cycle plus the number of additional cpri_clkout cycles you specify as the value of the Auxiliary and direct interfaces write latency cycle(s) parameter. User logic is responsible to ensure that the write data in aux_tx_data is aligned with the write latency value of the Auxiliary and direct interfaces write latency cycle(s) parameter. Data is received in 32-bit words. For correct transmission in the CPRI frame, you must send byte [31:24] first and byte [7:0] last.
auxN_tx_mask[D:0]	Input	Bit mask for insertion of data from aux_tx_data in the target CPRI frame. This signal aligns with aux_tx_data and therefore, aligns with aux_tx_seq with a delay of one cpri_clkout cycle plus the number of additional cpri_clkout cycles you specify as the value of the Auxiliary and direct interfaces write latency cycle(s) parameter. Assertion of a bit in this mask overrides insertion of data to the corresponding bit in the target CPRI frame from any other source. Therefore, you must deassert the mask bits during K28.5 character or /S/ /T/ insertion in the outgoing CPRI frame, which occurs when Z=X=0. If you do not deassert the mask bits during K28.5 or /S/ /T/ character insertion in the outgoing CPRI frame, the aux_tx_err output signal is asserted in the following cpri_clkout cycle.
auxN_tx_ctrl[C:0]	Output	Control slots indicator. Each asserted bit indicates that the corresponding byte position, as indicated by aux_tx_seq, should hold a CPRI control word in the target CPRI frame.

Figure 18. AUX RX Interface Timing Diagram

AUX RX interface behavior in a CPRI v7.0 IP core running at 0.6144 Gbps.

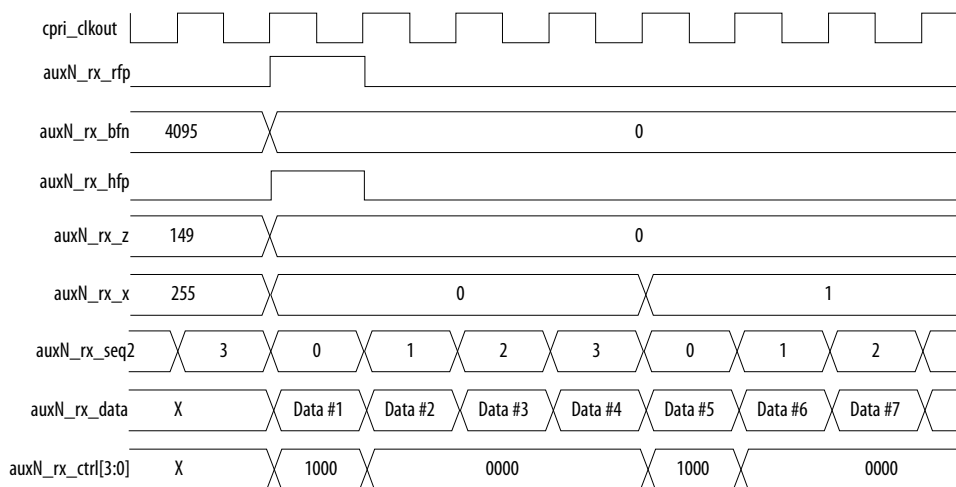


Figure 19. CPRI REC Master Response to aux_tx_sync_rfp Resynchronization Pulse

Asserting `aux_tx_sync_rfp` resets the hyperframe and basic frame numbers in an REC master CPRI v7.0 IP core. Shown for a CPRI v7.0 IP core running at 0.6144 Gbps.

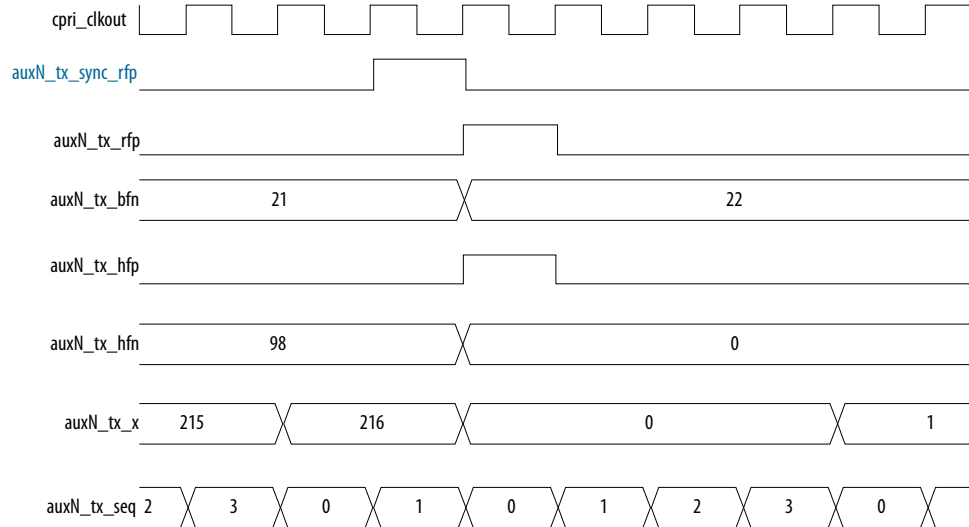




Figure 20. AUX TX Interface Timing Diagram with One Auxiliary Latency Cycle

Expected behavior on the AUX TX interface of a CPRI v7.0 IP core running at 0.6144 Gbps. Illustrates the effect of setting the **Auxiliary and direct interfaces write latency cycle(s)** parameter to a non-zero value. Shown for a CPRI v7.0 IP core with **Auxiliary and direct interfaces write latency cycle(s)** set to the value of 1.

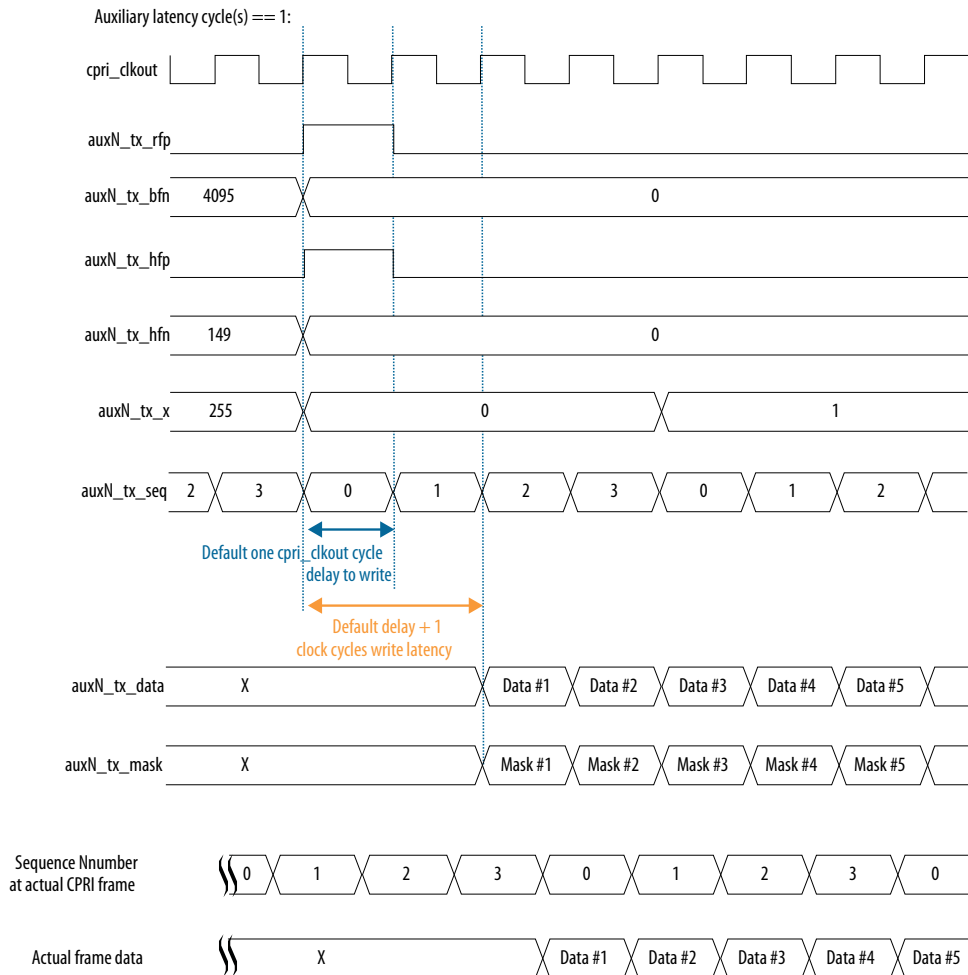


Figure 21. AUX TX Interface Timing Diagram with Four Auxiliary Latency Cycles

Expected behavior on the AUX TX interface of a CPRI v7.0 IP core running at 0.6144 Gbps. Illustrates the effect of setting the **Auxiliary and direct interfaces write latency cycle(s)** parameter to the value of four.

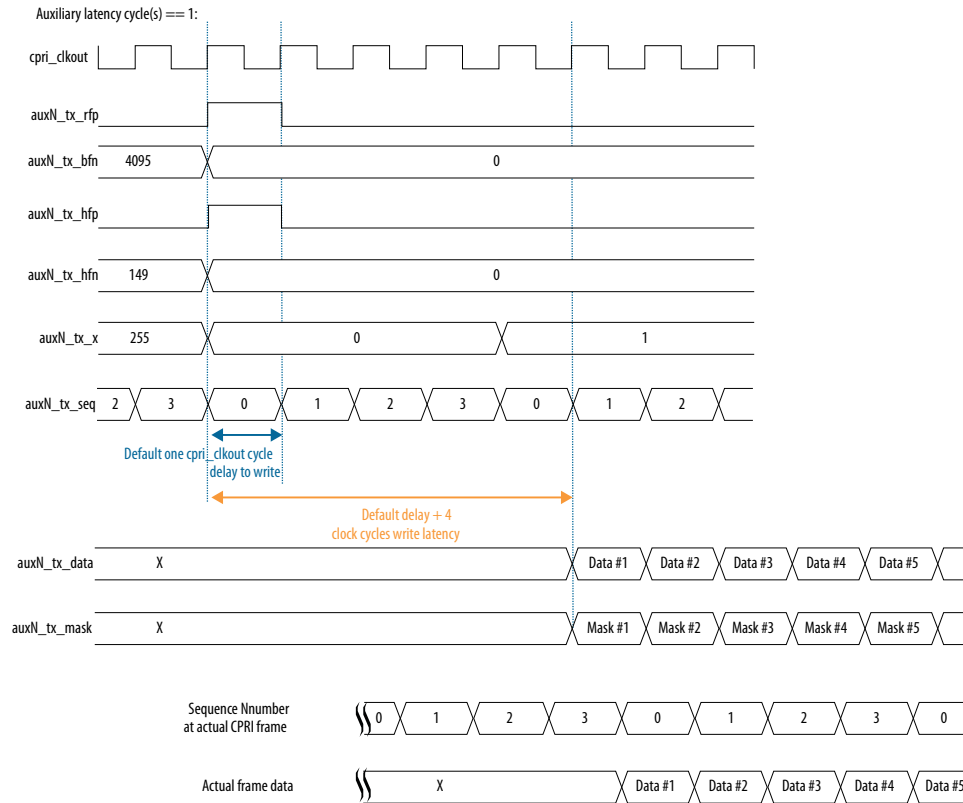
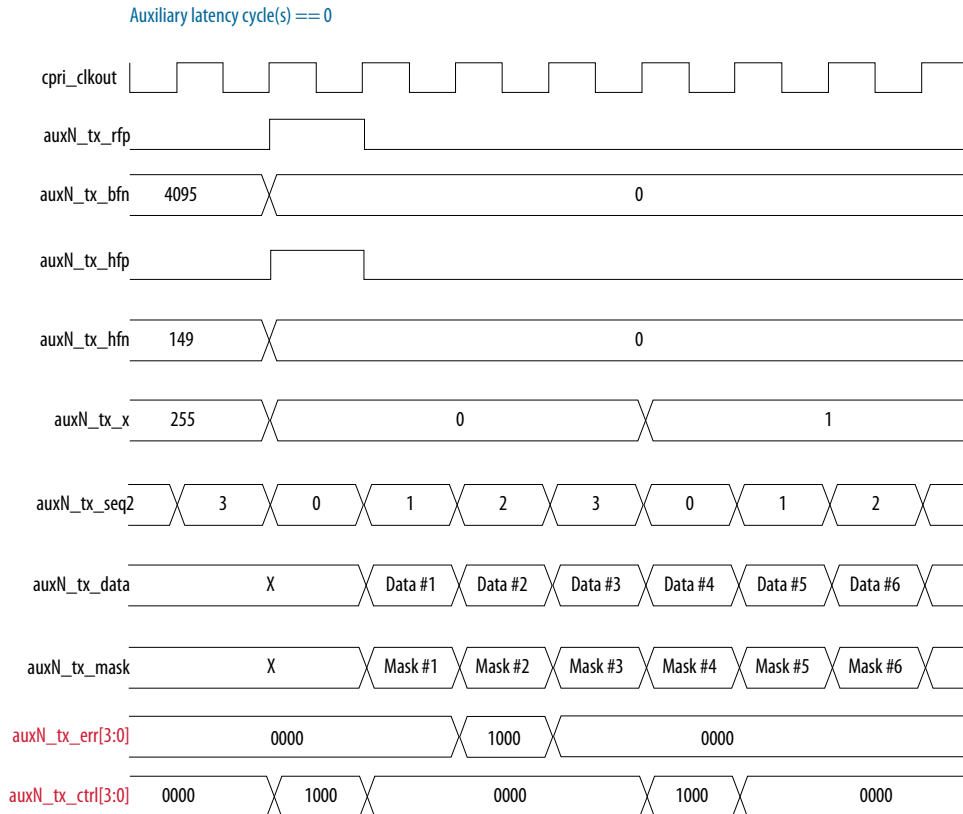




Figure 22. AUX TX Timing Diagram with Error

Illustrates the behavior of the `aux_tx_err` signal on the AUX TX interface of a CPRI v7.0 IP core running at 0.6144 Gbps. The `aux_tx_ctrl` signal shows that when `aux_tx_seq` has the value of zero, the first byte at the corresponding position in the target CPRI frame is a control byte. The value of the **Auxiliary and direct interfaces write latency cycle(s)** parameter is zero. Therefore, the data on `aux_tx_data` is delayed by one clock cycle from the value on `aux_tx_seq`. The data that appears on `aux_tx_data` when `aux_tx_seq` has the value of 1 is the data that targets position X.Y.Z.0 in the target CPRI frame.

The value of Mask #1 is presumably 0xFFXXXXX, indicating that the incoming data on `aux_tx_data` is intended to overwrite this control byte in the target CPRI frame. Therefore, in the following `cpri_clkout` cycle, the IP core asserts the `aux_tx_err` signal.



Related Information

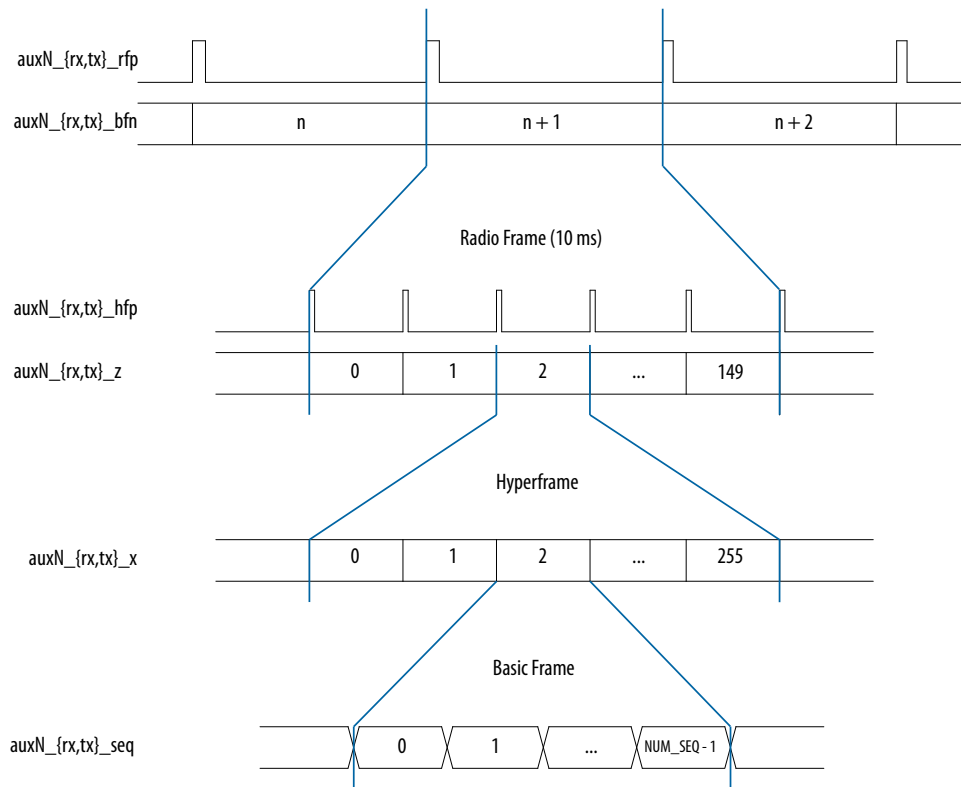
- [AUX Interface Synchronization](#) on page 58
 Illustrates the relationship between the AUX synchronization signals.
- [Auxiliary Latency Cycles](#) on page 58
 The **Auxiliary and direct interfaces write latency cycle(s)** parameter affects the relative timing of the data on the `aux_tx_data` and `aux_tx_mask` busses. This section provides an explanation of the parameter's effect and purpose.

3.5.2. AUX Interface Synchronization

Figure 23. Relationship Between Synchronization Pulses and Numbers on the AUX Interface

The output synchronization signals are useful for custom user logic, including frame synchronization across hops in multi-hop configurations.

The output synchronization signals are derived from the CPRI frame synchronization state machine.



Related Information

[AUX Interface Signals](#) on page 51

Describes the AUX interface signals and provides AUX interface timing diagrams.

3.5.3. Auxiliary Latency Cycles

Intel provides configurable write latency on the AUX TX interface and other direct TX interfaces to support user logic with sufficient advance notice of the position in the CPRI frame. The processing time that user logic requires after determining the current position in the CPRI frame is implementation specific, and the default write latency of a single `cpri_clkout` cycle might not be adequate. Using the **Auxiliary and direct interfaces write latency cycle(s)** parameter, you can set the write latency to the number of clock cycles required for your system to process data before sending it on the AUX TX interface or other direct TX interface.



In the CPRI v7.0 parameter editor, you can specify a non-zero number of **Auxiliary and direct interfaces write latency cycle(s)** to increase the write latency on the AUX TX interface and other direct TX interfaces to the CPRI v7.0 IP core.

The write latency is the number of `cpri_clkout` cycles from when the `aux_tx_seq` output signal has the value of `n` to when user logic must write data to the AUX TX interface to target the corresponding position in the CPRI frame. For other direct interfaces, the IP core notifies user logic when it is ready for input and the user does not need to monitor the `aux_tx_seq` signal. However, the **Auxiliary latency cycle(s)** value does apply to all of the direct interfaces.

When **Auxiliary and direct interfaces write latency cycle(s)** has the default value of zero, the write latency on the direct TX interfaces is one `cpri_clkout` cycle. When **Auxiliary and direct interfaces write latency cycle(s)** has the value of `N`, the write latency is $(1+N)$ `cpri_clkout` cycles.

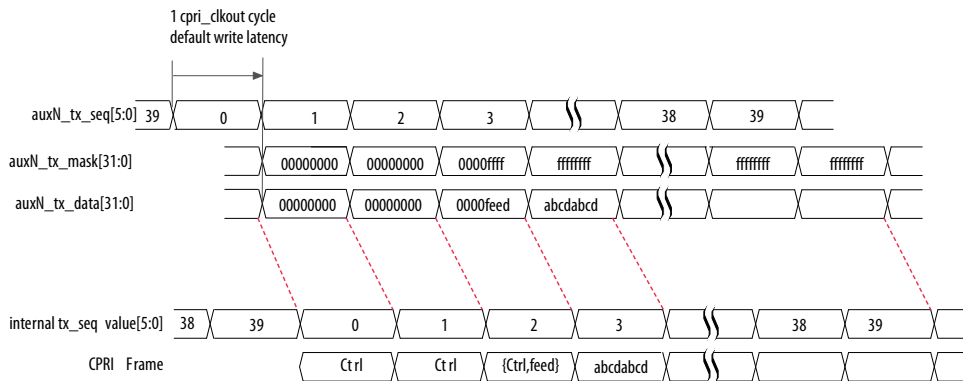
User logic is responsible to ensure that the data presented to the IP core on the AUX TX interface is presented at the correct write latency relative to the AUX TX interface synchronization signals.

Note: You cannot simply write to the AUX TX interface with a consistent write latency that you determine after configuring your IP core. If you do not specify the correct write latency in the CPRI v7.0 parameter editor, the data you present on the AUX TX interface cannot fill the correct position in the target CPRI frame. To ensure the write latency offset is implemented correctly in the IP core, you must set the parameter.

Figure 24. AUX Interface Transmit Write Latency

Illustrates the transmit write latency on the AUX interface when **Auxiliary and direct interfaces write latency cycle(s)** has the value of 0. If you specify a non-zero value for this parameter, the latency increases from the default latency of one `cpri_clkout` cycle to 1 plus the number of cycles you specify.

In this example, the CPRI line bit rate is 6.144 Gbps, so that the control word is 10 bytes. User logic masks the control word, so that the IP core does not receive the control words from the AUX interface.



3.5.4. Direct Interface CPRI Frame Data Format

The information on the AUX interface and all of the other direct interfaces except the L1 CSR interface, appears in the relevant data bus in 32-bit words. The CPRI v7.0 IP core converts the contents of the incoming CPRI frame to a 32-bit format internally.



Similarly, the IP core expects to receive data on the various direct interfaces in this format. The only exception is the L1 CSR interface, which transmits and receives information in individual bits.



Figure 25. AUX Interface Data at Different CPRI Line Bit Rates

The AUX interface presents and expects data in fixed 32-bit words. The mapping of the CPRI frame to and from 32-bit words depends on the CPRI v7.0 IP core bit rate. This figure illustrates how CPRI frame words are mapped to 32-bit words on the AUX interface 32-bit data bus.

0.6144 Gbps Line Rate:		Sequence number on AUX interface			
		0	1	2	3
[31:24]	#Z.X.0.0 ⁽¹⁾	#Z.X.4.0	#Z.X.8.0	#Z.X.12.0	
[23:16]	#Z.X.1.0	#Z.X.5.0	#Z.X.9.0	#Z.X.13.0	
[15:8]	#Z.X.2.0	#Z.X.6.0	#Z.X.10.0	#Z.X.14.0	
[7:0]	#Z.X.3.0	#Z.X.7.0	#Z.X.11.0	#Z.X.15.0	

1.2288 Gbps Line Rate:		Sequence number on AUX interface				
		0	1	2	...	7
[31:24]	#Z.X.0.0 ⁽¹⁾	#Z.X.2.0	#Z.X.4.0	...	#Z.X.14.0	
[23:16]	#Z.X.0.1 ⁽¹⁾	#Z.X.2.1	#Z.X.4.1	...	#Z.X.14.1	
[15:8]	#Z.X.1.0	#Z.X.3.0	#Z.X.5.0	...	#Z.X.15.0	
[7:0]	#Z.X.1.1	#Z.X.3.1	#Z.X.5.1	...	#Z.X.15.1	

2.4576 Gbps Line Rate:		Sequence number on AUX interface				
		0	1	2	...	15
[31:24]	#Z.X.0.0 ⁽¹⁾	#Z.X.1.0	#Z.X.2.0	...	#Z.X.15.0	
[23:16]	#Z.X.0.1 ⁽¹⁾	#Z.X.1.1	#Z.X.2.1	...	#Z.X.15.1	
[15:8]	#Z.X.0.2 ⁽¹⁾	#Z.X.1.2	#Z.X.2.2	...	#Z.X.15.2	
[7:0]	#Z.X.0.3 ⁽¹⁾	#Z.X.1.3	#Z.X.2.3	...	#Z.X.15.3	

3.072 Gbps Line Rate:		Sequence number on AUX interface					
		0	1	2	...	18	19
[31:24]	#Z.X.0.0 ⁽¹⁾	#Z.X.0.4 ⁽¹⁾	#Z.X.1.3	...	#Z.X.14.2	#Z.X.15.1	
[23:16]	#Z.X.0.1 ⁽¹⁾	#Z.X.1.0	#Z.X.1.4	...	#Z.X.14.3	#Z.X.15.2	
[15:8]	#Z.X.0.2 ⁽¹⁾	#Z.X.1.1	#Z.X.2.0	...	#Z.X.14.4	#Z.X.15.3	
[7:0]	#Z.X.0.3 ⁽¹⁾	#Z.X.1.2	#Z.X.2.1	...	#Z.X.15.0	#Z.X.15.4	

4.952 Gbps Line Rate:		Sequence number on AUX interface						
		0	1	2	...	30	31	
[31:24]	#Z.X.0.0 ⁽¹⁾	#Z.X.0.4 ⁽¹⁾	#Z.X.1.0	...	#Z.X.14.0	#Z.X.15.4		
[23:16]	#Z.X.0.1 ⁽¹⁾	#Z.X.0.5 ⁽¹⁾	#Z.X.1.1	...	#Z.X.14.1	#Z.X.15.5		
[15:8]	#Z.X.0.2 ⁽¹⁾	#Z.X.0.6 ⁽¹⁾	#Z.X.2.2	...	#Z.X.14.2	#Z.X.15.6		
[7:0]	#Z.X.0.3 ⁽¹⁾	#Z.X.0.7 ⁽¹⁾	#Z.X.2.3	...	#Z.X.15.3	#Z.X.15.7		

6.144 Gbps Line Rate:		Sequence number on AUX interface						
		0	1	2	...	38	39	
[31:24]	#Z.X.0.0 ⁽¹⁾	#Z.X.0.4 ⁽¹⁾	#Z.X.0.8 ⁽¹⁾	...	#Z.X.15.2	#Z.X.15.6		
[23:16]	#Z.X.0.1 ⁽¹⁾	#Z.X.0.5 ⁽¹⁾	#Z.X.0.9 ⁽¹⁾	...	#Z.X.15.3	#Z.X.15.7		
[15:8]	#Z.X.0.2 ⁽¹⁾	#Z.X.0.6 ⁽¹⁾	#Z.X.1.0	...	#Z.X.15.4	#Z.X.15.8		
[7:0]	#Z.X.0.3 ⁽¹⁾	#Z.X.0.7 ⁽¹⁾	#Z.X.1.1	...	#Z.X.15.5	#Z.X.15.9		

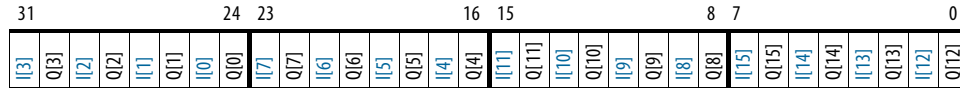
8.11008, 9.8304 Gbps Line Rate:		Sequence number on AUX interface						
		0	1	2	3	...	62	63
[31:24]	#Z.X.0.0 ⁽¹⁾	#Z.X.0.4 ⁽¹⁾	#Z.X.0.8 ⁽¹⁾	#Z.X.0.12 ⁽¹⁾	...	#Z.X.15.8	#Z.X.15.12	
[23:16]	#Z.X.0.1 ⁽¹⁾	#Z.X.0.5 ⁽¹⁾	#Z.X.0.9 ⁽¹⁾	#Z.X.0.13 ⁽¹⁾	...	#Z.X.15.9	#Z.X.15.13	
[15:8]	#Z.X.0.2 ⁽¹⁾	#Z.X.0.6 ⁽¹⁾	#Z.X.0.10 ⁽¹⁾	#Z.X.0.14 ⁽¹⁾	...	#Z.X.15.10	#Z.X.15.14	
[7:0]	#Z.X.0.3 ⁽¹⁾	#Z.X.0.7 ⁽¹⁾	#Z.X.0.11 ⁽¹⁾	#Z.X.0.15 ⁽¹⁾	...	#Z.X.15.11	#Z.X.15.15	

10.1376 Gbps Line Rate:		Sequence number on AUX interface							
		0	1	2	3	4	5	62	79
[31:24]	#Z.X.0.0 ⁽¹⁾	#Z.X.0.4 ⁽¹⁾	#Z.X.0.8 ⁽¹⁾	#Z.X.0.12 ⁽¹⁾	...	#Z.X.15.8	#Z.X.15.12		
[23:16]	#Z.X.0.1 ⁽¹⁾	#Z.X.0.5 ⁽¹⁾	#Z.X.0.9 ⁽¹⁾	#Z.X.0.13 ⁽¹⁾	...	#Z.X.15.9	#Z.X.15.13		
[15:8]	#Z.X.0.2 ⁽¹⁾	#Z.X.0.6 ⁽¹⁾	#Z.X.0.10 ⁽¹⁾	#Z.X.0.14 ⁽¹⁾	...	#Z.X.15.10	#Z.X.15.14		
[7:0]	#Z.X.0.3 ⁽¹⁾	#Z.X.0.7 ⁽¹⁾	#Z.X.0.11 ⁽¹⁾	#Z.X.0.15 ⁽¹⁾	...	#Z.X.15.11	#Z.X.15.15		

The CPRI IP core passes the incoming AUX data through to the CPRI link unmodified. You must ensure that the incoming AUX data bits already include any CRC values expected by the application at the other end of the CPRI link.

Figure 26. Data Sample Order on aux_tx_data and aux_rx_data Buses

Illustrates how CPRI frame data is ordered in each 32-bit word.



3.6. Direct IQ Interface

If you turn on **Enable direct IQ mapping interface** in the CPRI v7.0 parameter editor, the direct IQ interface is available. This interface allows direct access to the I/Q data time slots in the CPRI frame. You can connect this interface to any user-defined air standard I/Q mapping module.

This interface is Avalon-ST compliant with a read latency value of 1.

You can alter the transmit latency with the **Auxiliary and direct interfaces write latency cycle(s)** parameter.

Table 23. Direct IQ Interface Signals

All interface signals are clocked by the `cpri_clkout` clock. The **Data path width** parameter determines the interface type and width, where N= 32 or 64, C= 3 or 7, and D= 31 or 63.

Direct IQ RX Interface		
Signal Name	Direction	Description
<code>iqN_rx_valid[C:0]</code>	Output	Each asserted bit indicates the corresponding byte on the current <code>iq_rx_data</code> bus is valid I/Q data.
<code>iqN_rx_data[D:0]</code>	Output	I/Q data received from the CPRI frame. The <code>iq_rx_valid</code> signal indicates which bytes are valid I/Q data bytes.

Direct IQ TX Interface		
Signal Name	Direction	Description
<code>iqN_tx_ready[C:0]</code>	Output	Each asserted bit indicates the IP core is ready to read I/Q data from the corresponding byte of <code>iq_tx_data</code> on the next clock cycle.
<code>iqN_tx_valid[C:0]</code>	Input	Write valid for <code>iq_tx_data</code> . Assert bit [n] to indicate that the corresponding byte on the current <code>iq_tx_data</code> bus is valid I/Q data.
<code>iqN_tx_data[D:0]</code>	Input	I/Q data to be written to the CPRI frame. The IP core writes the individual bytes of the current value on the <code>iq_tx_data</code> bus to the CPRI frame based on the <code>iq_tx_ready</code> signal from the previous cycle, and the <code>iq_tx_valid</code> signal in the current cycle.



Figure 27. Direct IQ RX Interface Timing Diagram

Direct IQ RX interface behavior in a CPRI v7.0 IP core running at 0.6144 Gbps.

The `aux_rx_x` and `aux_rx_seq` signals are not part of this interface and are available only if you turn on the AUX interface in your CPRI v7.0 IP core variation. However, their presence in the timing diagram explains the timing of the `iq_rx_valid` output signal that you use to identify the clock cycles with valid I/Q data.

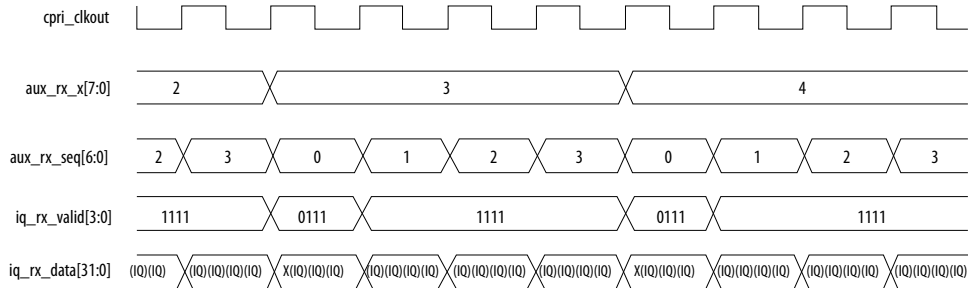
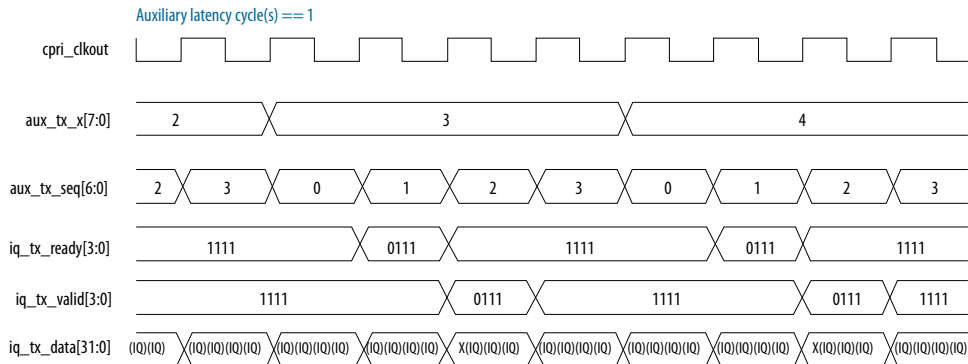


Figure 28. Direct IQ TX Interface Timing Diagram

Expected behavior on the direct IQ TX interface of a CPRI v7.0 IP core running at 0.6144 Gbps.

The `aux_tx_x` and `aux_tx_seq` signals are not part of this interface and are available only if you turn on the AUX interface in your CPRI v7.0 IP core variation. However, their presence in the timing diagram explains the timing of the `iq_tx_ready` output signal that you use to identify the clock cycles when you can write I/Q data to the CPRI frame. Note that the write latency is two `cpri_clkout` clock cycles in this example.



Related Information

Avalon Interface Specifications

For more information about the Avalon-ST protocol, including timing diagrams, refer to the *Avalon Streaming Interfaces* chapter.

3.7. Ctrl_AxC Interface

If you turn on **Enable direct ctrl_axc access interface** in the CPRI v7.0 parameter editor, the Ctrl_AxC interface is available. This interface allows direct access to the Ctrl_AxC subchannels in the CPRI frame, which are subchannels 4, 5, 6, and 7 in each hyperframe.

This interface is Avalon-ST compliant with a read latency value of 1.

You can alter the transmit latency with the **Auxiliary and direct interfaces write latency cycle(s)** parameter.

Table 24. Ctrl_AxC Interface Signals

All interface signals are clocked by the `cpri_clkout` clock. The **Data path width** parameter determines the interface type and width, where N= 32 or 64, C= 3 or 7, and D= 31 or 63.

Ctrl_AxC RX Interface		
Signal Name	Direction	Description
<code>ctrlN_axc_rx_valid[C:0]</code>	Output	Each asserted bit indicates the corresponding byte on the current <code>ctrl_axc_rx_data</code> bus is valid Ctrl_Axc data.
<code>ctrlN_axc_rx_data[D:0]</code>	Output	Ctrl_Axc data received from the CPRI frame. The <code>ctrl_axc_rx_valid</code> signal indicates which bytes are valid Ctrl_Axc data bytes.

Ctrl_AxC TX Interface		
Signal Name	Direction	Description
<code>ctrlN_axc_tx_ready[C:0]</code>	Output	Each asserted bit indicates the IP core is ready to read Ctrl_Axc data from the corresponding byte of <code>ctrl_axc_tx_data</code> on the next clock cycle.
<code>ctrlN_axc_tx_valid[C:0]</code>	Input	Write valid for <code>ctrl_axc_tx_data</code> . Assert bit [n] to indicate that the corresponding byte on the current <code>ctrl_axc_tx_data</code> bus is valid Ctrl_Axc data.
<code>ctrl_axc_tx_data[D:0]</code>	Input	Ctrl_Axc data to be written to the CPRI frame. The IP core writes the individual bytes of the current value on the <code>ctrl_axc_tx_data</code> bus to the CPRI frame based on the <code>ctrl_axc_tx_ready</code> signal from the previous cycle, and the <code>ctrl_axc_tx_valid</code> signal in the current cycle.

Figure 29. Ctrl_Axc RX Interface Timing Diagram

Ctrl_Axc RX interface behavior in a CPRI v7.0 IP core running at 0.6144 Gbps.

The `aux_rx_x` and `aux_rx_seq` signals are not part of this interface and are available only if you turn on the AUX interface in your CPRI v7.0 IP core variation. However, their presence in the timing diagram explains the timing of the `ctrl_axc_rx_valid` output signal that you use to identify the clock cycles with valid Ctrl_Axc data.

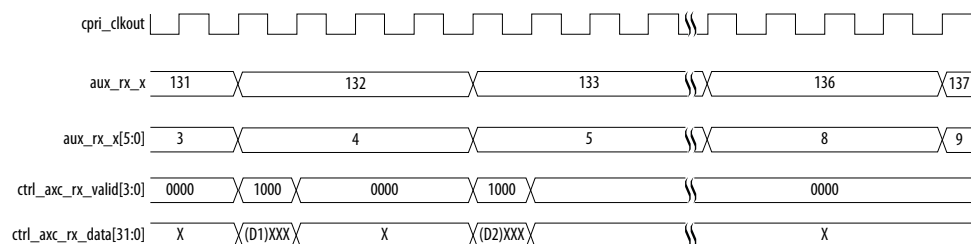
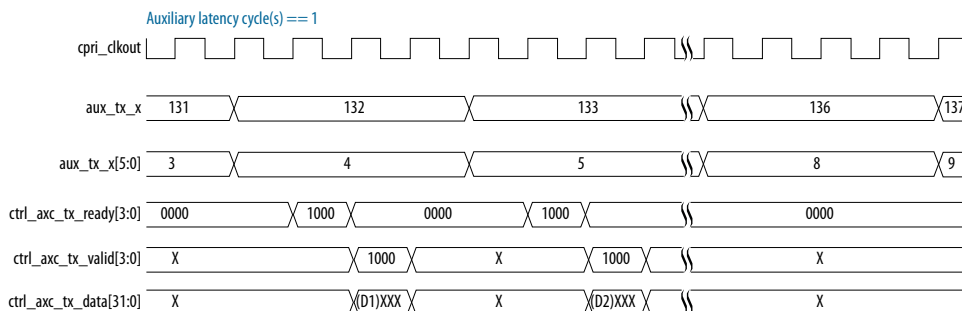




Figure 30. Ctrl_Axc TX Interface Timing Diagram

Expected behavior on the Ctrl_Axc TX interface of a CPRI v7.0 IP core running at 0.6144 Gbps.

The `aux_tx_x` and `aux_tx_seq` signals are not part of this interface and are available only if you turn on the AUX interface in your CPRI v7.0 IP core variation. However, their presence in the timing diagram explains the timing of the `ctrl_axc_tx_ready` output signal that you use to identify the clock cycles when you can write Ctrl_Axc data to the CPRI frame. Note that the write latency is two `cpri_clkout` clock cycles in this example.



Related Information

Avalon Interface Specifications

For more information about the Avalon-ST protocol, including timing diagrams, refer to the *Avalon Streaming Interfaces* chapter.

3.8. Direct Vendor Specific Access Interface

If you turn on **Enable direct vendor specific access interface** in the CPRI v7.0 parameter editor, the direct vendor specific access interface is available. This interface allows direct access to the Vendor Specific subchannels in the CPRI hyperframe. The Vendor Specific information is present only in subchannels 16 through (P-1) of the CPRI hyperframe, where P is the Fast C&M pointer value. Check the `vs_rx_valid` and `vs_tx_ready` signals to ensure you read and write this interface at the time that corresponds to the correct position in the CPRI frame. If you implement the AUX interface, you can read the value on the `aux_rx_x` or `aux_tx_x` output signal to identify the current position in the frame.

This interface is Avalon-ST compliant with a read latency value of 1.

You can alter the transmit latency with the **Auxiliary and direct interfaces write latency cycle(s)** parameter.

Table 25. Direct Vendor Specific Access Interface Signals

All interface signals are clocked by the `cpri_clkout` clock. The **Data path width** parameter determines the interface type and width, where N= 32 or 64, C= 3 or 7, and D= 31 or 63.

Direct Vendor Specific RX Interface		
Signal Name	Direction	Description
<code>vsN_rx_valid[C:0]</code>	Output	Each asserted bit indicates the corresponding byte on the current <code>vs_rx_data</code> bus is a valid vendor-specific byte.
<code>vsN_rx_data[D:0]</code>	Output	Vendor-specific word received from the CPRI frame. The <code>vs_rx_valid</code> signal indicates which bytes are valid vendor-specific bytes.

Direct Vendor Specific TX Interface		
Signal Name	Direction	Description
vsN_tx_ready[C:0]	Output	Each asserted bit indicates the IP core is ready to receive a vendor-specific byte from the corresponding byte of vs_tx_data on the next clock cycle.
vsN_tx_valid[C:0]	Input	Write valid for vs_tx_data. Assert bit [n] of vs_tx_valid to indicate that byte [n] on the vs_tx_data bus holds a valid value in the current clock cycle.
vsN_tx_data[D:0]	Input	Vendor-specific word to be written to the CPRI frame. The IP core writes the individual bytes of the current value on the vs_tx_data bus to the CPRI frame based on the vs_tx_ready signal from the previous cycle, and the vs_tx_valid signal in the current cycle.

Figure 31. Direct VS RX Timing Diagram

Direct VS RX interface behavior in a CPRI v7.0 IP core running at 0.6144 Gbps.

The aux_rx_x signal is not part of this interface and is available only if you turn on the AUX interface in your CPRI v7.0 IP core variation. However, its presence in the timing diagram explains the timing of the vs_rx_valid output signal that you use to identify the clock cycles with valid VS data.

The aux_rx_x[7:0] signal (labelled simply aux_rx_x) holds the eight-bit index of the basic frame in the hyperframe, from the perspective of the AUX interface. The subchannel index is the control word index modulo 64, available in aux_rx_x[5:0] if you turn on the AUX interface in your CPRI IP core.

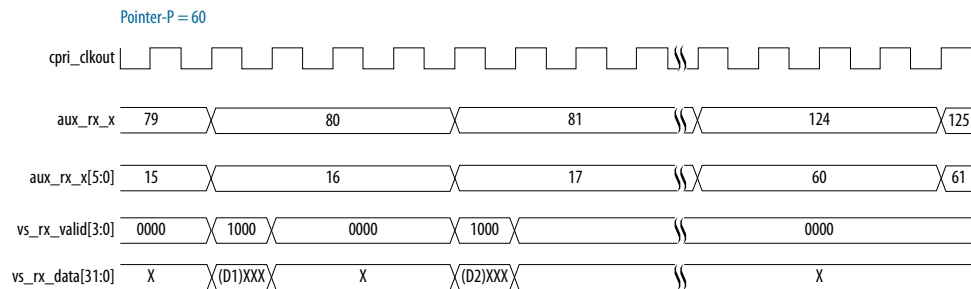




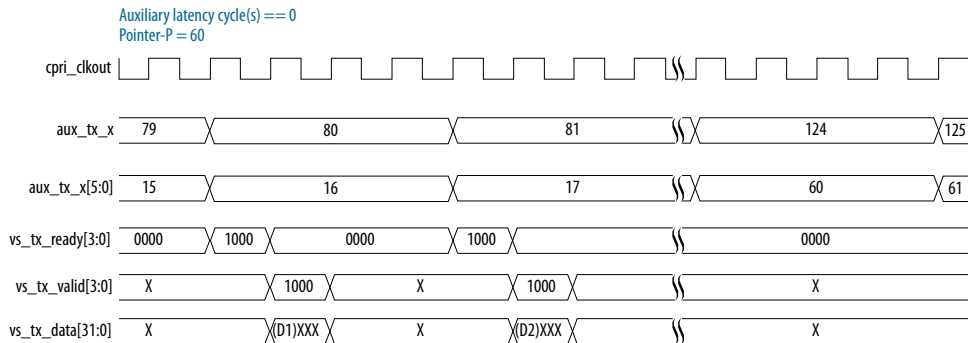
Figure 32. Direct VS TX Timing Diagram

Expected behavior on the direct VS TX interface of a CPRI v7.0 IP core running at 0.6144 Gbps.

The `aux_tx_x` signal is not part of this interface and is available only if you turn on the AUX interface in your CPRI v7.0 IP core variation. However, its presence in the timing diagram explains the timing of the `vs_tx_ready` output signal that you use to identify the clock cycles when you can write VS data to the CPRI frame.

The `aux_tx_x[7:0]` signal (labelled simply `aux_tx_x`) holds the eight-bit index of the basic frame in the hyperframe, from the perspective of the AUX interface. The subchannel index is the control word index modulo 64, available in `aux_tx_x[5:0]` if you turn on the AUX interface in your CPRI IP core.

Note that the write latency is one `cpri_clkout` clock cycle in this example.



Related Information

Avalon Interface Specifications

For more information about the Avalon-ST protocol, including timing diagrams, refer to the *Avalon Streaming Interfaces* chapter.

3.9. Real-Time Vendor Specific Interface

If you turn on **Enable direct real-time vendor specific interface** in the CPRI v7.0 parameter editor, the real-time vendor specific interface is available. This interface allows direct access to the Real Time Vendor Specific words in the CPRI hyperframe. Check the `rtvs_rx_valid` and `rtvs_tx_ready` signals to ensure you read and write this interface at the time that corresponds to the correct position in the CPRI frame. If you implement the AUX interface, you can read the value on the `aux_rx_seq` or `aux_tx_seq` output signal to identify the current position in the frame.

This option is only available if you specify a CPRI line bit rate of 10.1376 Gbps for your IP core.

This interface is Avalon-ST compliant with a read latency value of 1.

You can alter the transmit write latency with the **Auxiliary and direct interfaces write latency cycle(s)** parameter.

Table 26. Real-Time Vendor Specific Interface Signals

All interface signals are clocked by the `cpri_clkout` clock. The **Data path width** parameter determines the interface type and width, where N= 32 or 64, C= 3 or 7, and D= 31 or 63.

Real-Time Vendor Specific RX Interface		
Signal Name	Direction	Description
<code>rtvsN_rx_valid</code>	Output	Each asserted bit indicates the corresponding byte on the current <code>rtvs_rx_data</code> bus is a valid real-time vendor-specific byte.
<code>rtvsN_rx_data[D:0]</code>	Output	Real-time vendor-specific word received from the CPRI frame. The <code>rtvs_rx_valid</code> signal indicates which bytes are valid real-time vendor-specific bytes.

Real-Time Vendor Specific TX Interface		
Signal Name	Direction	Description
<code>rtvsN_tx_ready</code>	Output	Indicates the IP core is ready to read a real-time vendor-specific byte from <code>rtvs_tx_data</code> on the next clock cycle.
<code>rtvsN_tx_valid</code>	Input	Write valid for <code>rtvs_tx_data</code> . Assert this signal to indicate <code>rtvs_tx_data</code> holds a valid value in the current clock cycle.
<code>rtvsN_tx_data[D:0]</code>	Input	Real-time vendor-specific word to be written to the CPRI frame. The IP core writes the current value of the <code>rtvs_tx_data</code> bus to the CPRI frame based on the <code>rtvs_tx_ready</code> signal from the previous cycle, and the <code>rtvs_tx_valid</code> signal in the current cycle.

Figure 33. Direct RTVS RX Timing Diagram

Direct RTVS RX interface behavior in a CPRI v7.0 IP core running at 10.1376 Gbps.

The `aux_rx_x` and `aux_rx_seq` signals are not part of this interface and are available only if you turn on the AUX interface in your CPRI v7.0 IP core variation. However, their presence in the timing diagram explains the timing of the `rtvs_rx_valid` output signal that you use to identify the clock cycles with valid RTVS data.

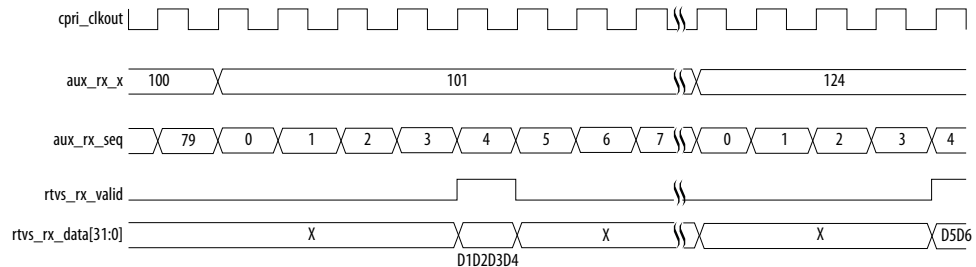


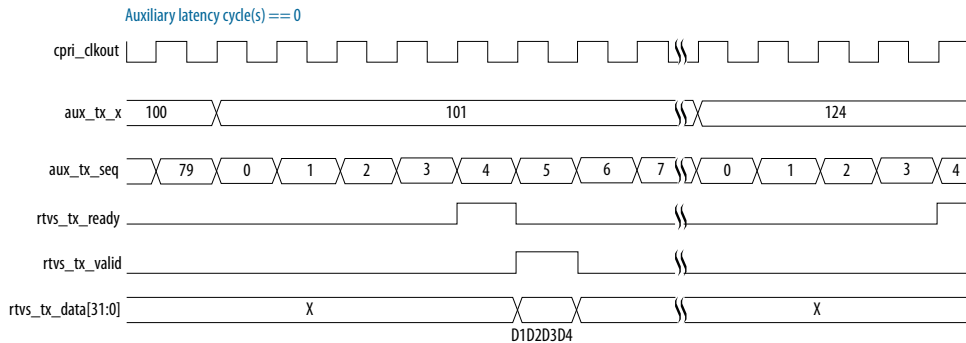


Figure 34. Direct RTVS TX Timing Diagram

Expected behavior on the direct RTVS TX interface of a CPRI v7.0 IP core running at 10.1376 Gbps.

The `aux_tx_x` and `aux_tx_seq` signals are not part of this interface and are available only if you turn on the AUX interface in your CPRI v7.0 IP core variation. However, their presence in the timing diagram explains the timing of the `rtvs_tx_ready` output signal that you use to identify the clock cycles when you can write RTVS data to the CPRI frame.

Note that the write latency is one `cpri_clkout` clock cycle in this example.



Related Information

Avalon Interface Specifications

For more information about the Avalon-ST protocol, including timing diagrams, refer to the *Avalon Streaming Interfaces* chapter.

3.10. Direct HDLC Serial Interface

If you turn on **Enable direct HDLC serial interface** in the CPRI v7.0 parameter editor, the direct HDLC serial interface is available. This interface allows direct access to the slow control and management data in the CPRI frame. You can connect this interface to a user-defined HDLC PCS and MAC.

This interface is Avalon-ST compliant with a read latency value of 1.

You can alter the transmit write latency with the **Auxiliary and direct interfaces write latency cycle(s)** parameter. However, you do not need to view the `aux_tx_seq` signal for correct alignment. You can monitor the `hdlc_rx_valid` and `hdlc_tx_ready` signals to discover the correct times to read and write data on this interface.

Table 27. Direct HDLC Serial Interface Signals

All interface signals are clocked by the `cpri_clkout` clock.

Direct HDLC Serial RX Interface		
Signal Name	Direction	Description
<code>hdlc_rx_valid</code>	Output	When asserted, indicates <code>hdlc_rx_data</code> holds a valid HDLC bit in the current clock cycle.
<code>hdlc_rx_data</code>	Output	HDLC data stream received from the CPRI frame. The <code>hdlc_rx_valid</code> signal indicates which bits are valid HDLC bytes.

Direct HDLC Serial TX Interface		
Signal Name	Direction	Description
hdlc_tx_ready	Output	When asserted, indicates the IP core is ready to receive HDLC data from hdlc_tx_data on the next clock cycle.
hdlc_tx_valid	Input	Write valid for hdlc_tx_data. Assert this signal to indicate that hdlc_tx_data holds a valid HDLC bit in the current clock cycle.
hdlc_tx_data	Input	HDLC data stream to be written to the CPRI frame directly. The IP core writes the current value on hdlc_tx_data to the CPRI frame based on the hdlc_tx_ready signal from the previous cycle, and the hdlc_tx_valid signal in the current cycle.

Figure 35. Direct HDLC Serial RX Timing Diagram

HDLC Serial RX interface behavior in a CPRI v7.0 IP core running at 0.6144 Gbps.

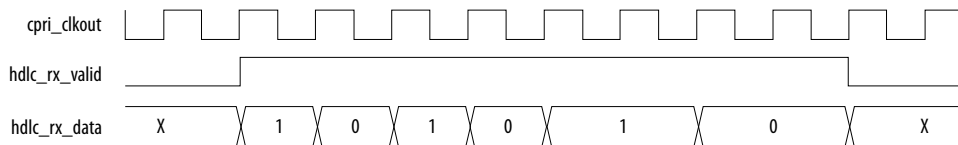
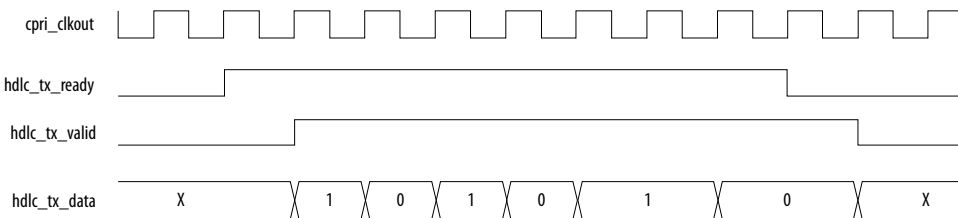


Figure 36. Direct HDLC Serial TX Timing Diagram

Expected behavior on the HDLC Serial TX interface of a CPRI v7.0 IP core running at 0.6144 Gbps.



Related Information

Avalon Interface Specifications

For more information about the Avalon-ST protocol, including timing diagrams, refer to the *Avalon Streaming Interfaces* chapter.

3.11. Direct L1 Control and Status Interface

If you turn on **Enable direct Z.130.0 alarm bits access interface** in the CPRI v7.0 parameter editor, the direct L1 control and status interface is available. This interface provides direct access to the Z.130.0 alarm and reset signals (loss of frame (LOF), loss of signal (LOS), service access point (SAP) defect indication (SDI), remote alarm indication (RAI), and reset request or acknowledge) in the CPRI hyperframe.

If you connect the AUX interface of your RE slave IP core to a network switch or other routing layer rather than directly to the downstream RE master, or if you do not fully connect the AUX interface to the downstream RE master, you can use this Z.130.0 access interface to streamline the transfer of reset requests and SDI alarms across hops.

This interface has higher transmit priority than access through the CPRI v7.0 IP core registers.

This interface has the following types of signals:



- `_local_` signals are output signals from the IP core about the state of this IP core, and also indicate the IP core asserts the relevant outgoing Z.130.0 bit in the next CPRI hyperframe according to the transmit priority of this interface.
- `_assert` signals are input signals the application can use to request that the IP core assert the relevant outgoing Z.130.0 bit in the next CPRI hyperframe according to the transmit priority of this interface. You can also connect these signals in an RE master to the corresponding `_req` output signals of the upstream RE slave in a multi-hop configuration, to support efficient transfer of reset requests and SDI alarms to the IP core.
- `_remote` signals are output signals from the IP core that indicate the IP core received a Z.130.0 byte on the CPRI link with the relevant bit asserted by the CPRI link partner.
- `_req` signals are also output signals from the IP core that indicate the IP core received a Z.130.0 byte on the CPRI link with the relevant bit asserted by the CPRI link partner. However, these signals are intended to be passed downstream in a multi-hop configuration. If the IP core is an RE slave, and it connects to an RE master through the Z.130.0 alarm and reset interface in a multi-hop configuration, you can connect the RE slave IP core `_req` output signal directly to the corresponding `_assert` input signal on the downstream RE master for efficient communication of the reset request or SDI alarm.

Table 28. Direct L1 Control and Status Interface Signals

All interface signals are clocked by the `cpri_clkout` clock.

Signal Name	Direction	Description
<code>z130_local_lof</code>	Output	Indicates the IP core has detected a local loss of frame. In this case, the <code>state_ll_synch</code> output signal indicates the L1 synchronization state machine is in state XACQ1 or XACQ2. In this case the IP core also asserts the <code>local_lof</code> bit in the FLSAR register at offset 0x2C.
<code>z130_local_los</code>	Output	Indicates the IP core has detected a local loss of signal. The IP core asserts this flag if it detects excessive 8B/10B errors that trigger the assertion of the optional L1 debug <code>rx_lcv</code> output signal or the <code>xcvr_los</code> output signal and the <code>rx_los</code> field of the L1_CONFIG register. In this case the IP core also asserts the <code>local_los</code> bit in the FLSAR register at offset 0x2C.
<code>z130_sdi_assert</code>	Input	Indicates that the master service access point (SAP) is not available. Possible causes for this situation are equipment error or that the connected slave IP core is forwarding an SDI request it detected to the current RE CPRI master IP core through a direct connection.
<code>z130_local_rai</code>	Output	Indicates that either the <code>z130_local_lof</code> or the <code>z130_local_los</code> signal is high; clears when both of those two signals are low. Logical OR of two output signals <code>z130_local_lof</code> and <code>z130_local_los</code> .
<code>z130_reset_assert</code>	Input	Reset request from the application or from an RE slave to the current RE CPRI master IP core through a direct connection.
<code>z130_remote_lof</code>	Output	Indicates LOF received in Z.130.0 control byte from remote CPRI link partner. In this case the IP core also asserts the <code>remote_lof</code> bit in the FLSAR register at offset 0x2C.

continued...

Signal Name	Direction	Description
z130_remote_los	Output	Indicates LOS received in Z.130.0 control byte from remote CPRI link partner. In this case the IP core also asserts the <code>remote_los</code> bit in the FLSAR register at offset 0x2C.
z130_sdi_req	Output	Indicates remote SAP defect indication received in Z.130.0 control byte from remote CPRI link master. If the current CPRI IP core is an RE slave in a multi-hop configuration, you should connect this output signal directly to the <code>z130_sdi_assert</code> input signal of the downstream RE master.
z130_remote_rai	Output	Asserts when either <code>z130_remote_lof</code> or <code>z130_remote_los</code> is asserted, and clears when both <code>z130_remote_lof</code> and <code>z130_remote_los</code> have the value of 0. In this case the IP core also asserts the <code>rai_detected</code> bit in the FLSAR register at offset 0x2C.
z130_reset_req	Output	If the current IP core is a CPRI link slave, indicates the IP core received a reset request in the Z.130.0 control byte from the remote CPRI link master. If the current IP core is a CPRI link master, indicates the IP core received a reset acknowledgement in the Z.130.0 control byte from the remote CPRI link slave.

Figure 37. sdi_assert to sdi_req on Direct L1 Control and Status Interface

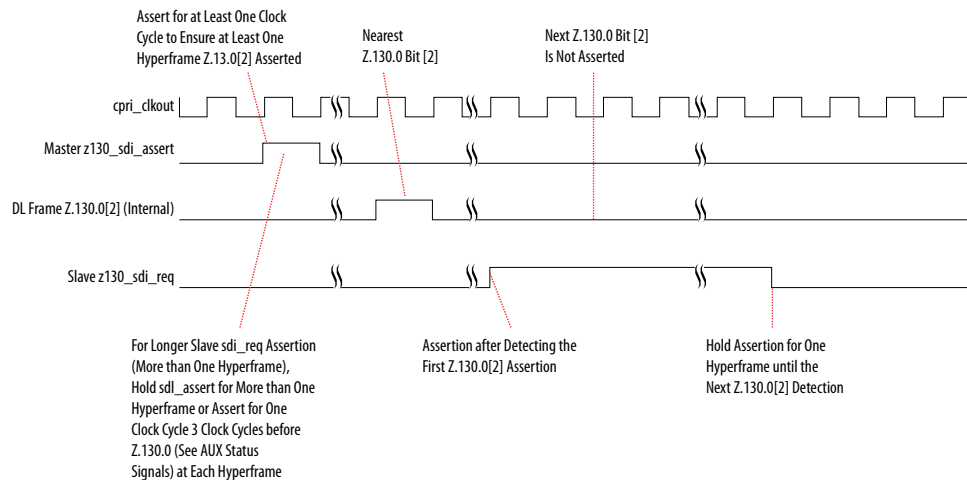


Figure 38. reset_assert to reset_req on Direct L1 Control and Status Interface

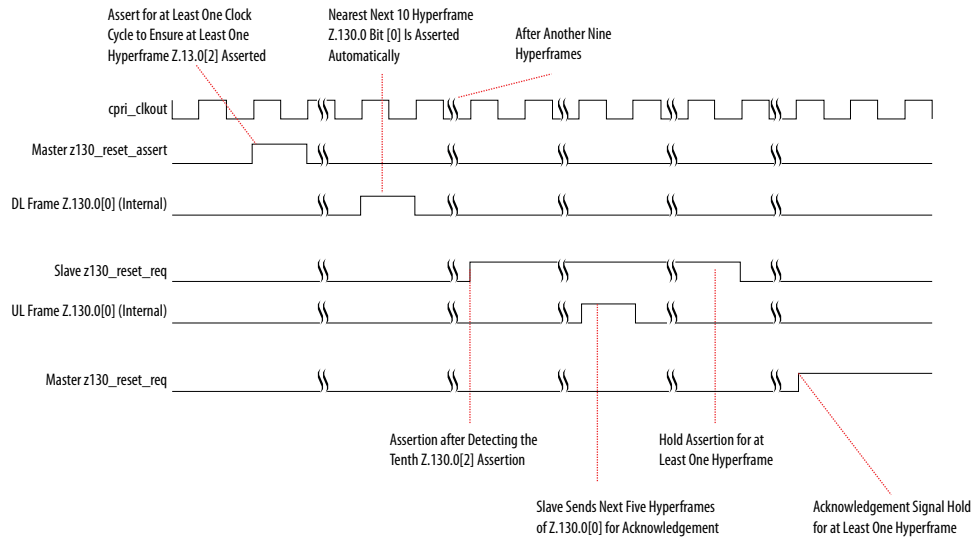
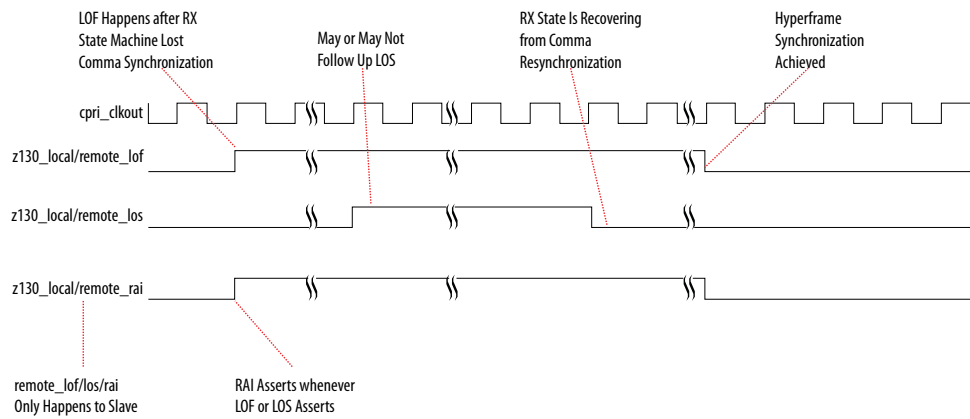


Figure 39. LOF, LOS, and RAI on Direct L1 Control and Status Interface



Related Information

FLSAR Register on page 122

3.12. L1 Debug Interface

If you turn on **Enable L1 debug interfaces** in the CPRI v7.0 parameter editor, the L1 debug interface is available.

Table 29. Direct L1 Control and Status Interface Signals

All of the L1 debug signals are asynchronous.

Signal Name	Direction	Description
rx_lcv	Output	Indicates the IP core has detected excessive 8B10B errors received.

continued...



Signal Name	Direction	Description
		The IP core asserts this signal when it detects more than 15 bits of error.
rx_freq_alarm	Output	Indicates the CPRI receive clock (receiver CDR recovered clock) and the main IP core clock (cpri_clkout) have a PPM difference. The IP core asserts this alarm each time it detects a mismatch.

3.13. Media Independent Interface (MII) to External Ethernet Block

The media independent interface (MII) allows the CPRI v7.0 IP core to communicate directly with an external Ethernet MAC block. If you set the value of the **Ethernet PCS interface** parameter in the CPRI v7.0 parameter editor to **MII**, your IP core includes this interface.

The MII supports the bandwidth described in the CPRI v7.0 Specification in Table 12, Achievable Ethernet bit rates.

Table 30. MII Signals

These signals are available if you set the value of the **Ethernet PCS interface** parameter in the CPRI v7.0 parameter editor to **MII**. You can connect a user-defined Ethernet MAC to this interface.

The interface is fully compliant to the IEEE 802.3 100BASE-X 100Mbps MII specification. An Ethernet PCS block in the CPRI v7.0 IP core ensures the interface bandwidth matches the current CPRI line bit rate and accesses data at the correct CPRI frame positions according to the Z.194.0 pointer value.

You must monitor the MII FIFO status signals and ensure you do not overflow or underflow the FIFO.

The interface signals are clocked by the `mii_rxclk` or `mii_txclk` clock.

RX MII Signals		
Signal Name	Direction	Description
mii_rxclk	Input	Clocks the MII receiver interface. You must drive this clock at the frequency of 25 MHz to achieve the 100 Mbps bandwidth required for this interface.
mii_rxreset_n	Input	Resets the MII receiver interface and FIFO read logic. This reset signal is active low.
mii_rxdv	Output	Ethernet receive data valid. Indicates the presence of valid data or initial K nibble on <code>mii_rxd[3:0]</code> .
mii_rxer	Output	Ethernet receive error. Indicates an error in the current nibble of <code>mii_rxd</code> . This signal is de-asserted at reset, and remains de-asserted while the CPRI v7.0 IP core is resetting and until link initialization completes.
mii_rxd[3:0]	Output	Ethernet receive nibble data. Data bus for data from the CPRI v7.0 IP core to the external Ethernet block. All bits are de-asserted during reset, and all bits are asserted after reset until the CPRI v7.0 IP core achieves frame synchronization.



TX MII Signals		
Signal Name	Direction	Description
mii_txclk	Input	Clocks the MII transmitter interface. You must drive this clock at the frequency of 25 MHz to achieve the 100 Mbps bandwidth required for this interface.
mii_txreset_n	Input	Resets the MII transmitter interface and FIFO write logic. This signal is active low.
mii_txen	Input	Valid signal from the external Ethernet block, indicating the presence of valid data on mii_txd[3:0]. The external Ethernet block must also assert this signal two cycles before initial valid data, while the IP core inserts /J/ and /K/ nibbles in the data stream to form the start-of-packet symbol.
mii_txer	Input	Ethernet transmit coding error. When this signal is asserted, the CPRI v7.0 IP core inserts an Ethernet HALT symbol in the data it passes to the CPRI link.
mii_txd[3:0]	Input	Ethernet transmit nibble data. The data transmitted from the external Ethernet block to the CPRI v7.0 IP core, for transmission on the CPRI link. This input bus is synchronous to the rising edge of the mii_txclk clock.

MII Status Signals		
Signal Name	Direction	Description
mii_tx_fifo_status[3:0]	Output	Ethernet Tx PCS FIFO fill level status. The individual bits have the following meanings: <ul style="list-style-type: none"> • Bit [3]: Empty • Bit [2]: Almost empty • Bit [1]: Full • Bit [0]: Almost full
mii_rx_fifo_status[3:0]	Output	Ethernet Rx PCS FIFO fill level status. The individual bits have the following meanings: <ul style="list-style-type: none"> • Bit [3]: Empty • Bit [2]: Almost empty • Bit [1]: Full • Bit [0]: Almost full

Figure 40. RX MII Timing Diagram

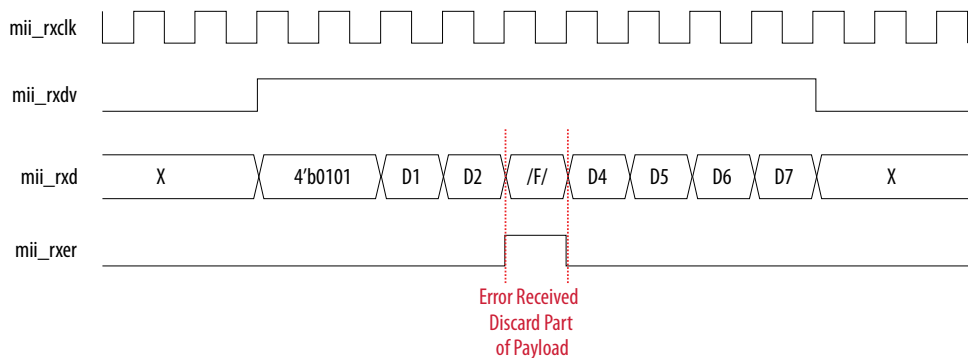
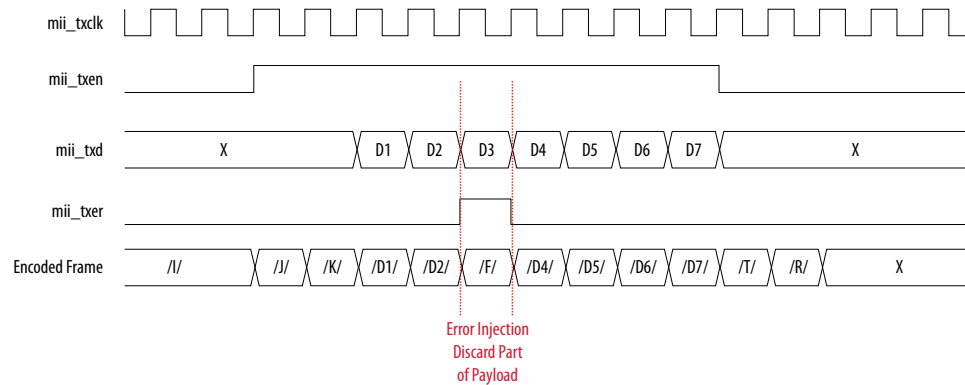


Figure 41. TX MII Timing Diagram



Related Information

CPRI v7.0 IP Core L2 Interface on page 107

3.14. Gigabit Media Independent Interface (GMII) to External Ethernet Block

The gigabit media independent interface (GMII) allows the CPRI v7.0 IP core to communicate directly with an external Ethernet MAC block. If you set the value of the **Ethernet PCS interface** parameter in the CPRI v7.0 parameter editor to **GMII**, your IP core includes this interface.

The GMII supports the bandwidth described in the CPRI v7.0 Specification in Table 12, Achievable Ethernet bit rates.

Table 31. GMII Signals

These signals are available if you set the value of the **Ethernet PCS interface** parameter in the CPRI v7.0 parameter editor to **GMII**. You can connect a user-defined Ethernet MAC to this interface.

The interface is fully compliant to the IEEE 802.3 1000BASE-X 1Gbps MII specification. An Ethernet PCS block in the CPRI v7.0 IP core ensures the interface bandwidth matches the current CPRI line bit rate and accesses data at the correct CPRI frame positions according to the Z.194.0 pointer value.

You must monitor the GMII FIFO status signals and ensure you do not overflow or underflow the FIFO.

The interface signals are clocked by the `gmi_rxclk` or `gmi_txclk` clock.

RX GMII Signals		
Signal Name	Direction	Description
<code>gmi_rxclk</code>	Input	Clocks the GMII receiver interface. You must drive this clock at the frequency of 125 MHz.
<code>gmi_rxreset_n</code>	Input	Resets the GMII receiver interface and FIFO read logic. This reset signal is active low.

continued...



RX GMII Signals		
Signal Name	Direction	Description
gmii_rxdv	Output	Ethernet receive data valid. Indicates the presence of valid data or initial start-of-packet control character on gmii_rxd[7:0].
gmii_rxer	Output	Ethernet receive error. Indicates an error on gmii_rxd. When this signal is asserted, the value on gmii_rxd[7:0] is 0x0E.
gmii_rxd[7:0]	Output	Ethernet receive data. Data bus for data from the CPRI v7.0 IP core to the external Ethernet block. All bits are de-asserted during reset, and all bits are asserted after reset until the CPRI v7.0 IP core achieves frame synchronization.

TX GMII Signals		
Signal Name	Direction	Description
gmii_txclk	Input	Clocks the GMII transmitter interface. You must drive this clock at the frequency of 125 MHz.
gmii_txreset_n	Input	Resets the GMII transmitter interface and FIFO write logic. This signal is active low.
gmii_txen	Input	Valid signal from the external Ethernet block, indicating the presence of valid data on gmii_txd[7:0]. This signal must be asserted two cycles before data is actually valid. This advance notice provides time for the CPRI v7.0 GMII transmitter block to insert an S character in the data stream to form the start-of-packet symbol. Deasserting this signal triggers the IP core to insert T and R characters in the data stream to form the end-of-packet symbol.
gmii_txer	Input	Ethernet transmit coding error. When this signal is asserted, the CPRI v7.0 IP core inserts an Ethernet Error Propagation symbol /V/ in the data it passes to the CPRI link.
gmii_txd[7:0]	Input	Ethernet transmit data. The data transmitted from the external Ethernet block to the CPRI v7.0 IP core, for transmission on the CPRI link. This input bus is synchronous to the rising edge of the gmii_txclk clock.

MII Status Signals		
Signal Name	Direction	Description
gmii_txfifo_status[3:0]	Output	Ethernet Tx PCS FIFO fill level status. The individual bits have the following meanings: <ul style="list-style-type: none"> • Bit [3]: Empty • Bit [2]: Almost empty • Bit [1]: Full • Bit [0]: Almost full
gmii_rxfifo_status[3:0]	Output	Ethernet Rx PCS FIFO fill level status. The individual bits have the following meanings: <ul style="list-style-type: none"> • Bit [3]: Empty • Bit [2]: Almost empty • Bit [1]: Full • Bit [0]: Almost full

Figure 42. RX GMII Timing Diagram

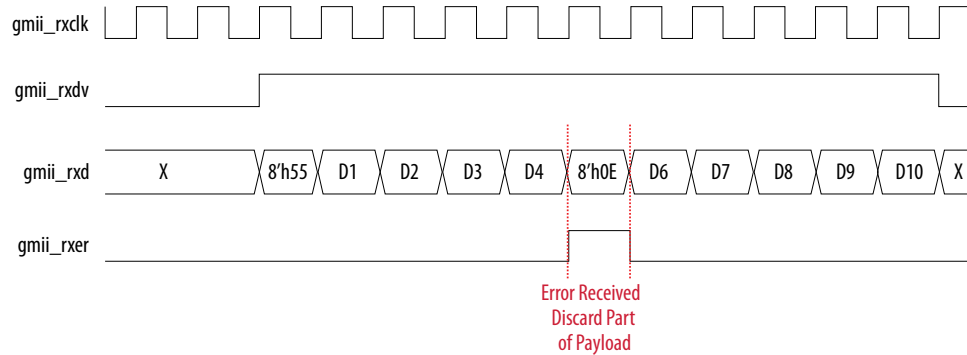
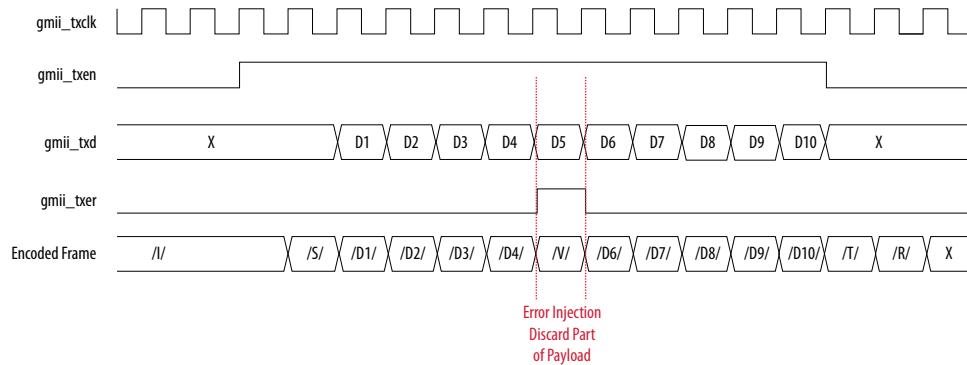


Figure 43. TX GMII Timing Diagram



Related Information

[CPRI v7.0 IP Core L2 Interface on page 107](#)

3.15. CPU Interface to CPRI v7.0 IP Core Registers

Use the CPU interface to access the CPRI v7.0 IP core status and configuration registers. This interface does not provide access to the hard transceiver configuration registers on the Intel Arria 10 or Intel Stratix 10 device.

If you turn on **Enable all control word access via management interface** in the CPRI v7.0 parameter editor, you can access all CPRI hyperframe control words through this interface.

The control and status interface is an Avalon-MM slave interface. Depending on the value you specify for **Avalon-MM interface addressing type** in the CPRI v7.0 parameter editor, the interface implements word addressing or byte addressing. If you specify word addressing, you must connect other design components correctly to the interface to ensure the Avalon-MM byte addresses appear on the CPRI v7.0 IP core CPU interface as word addresses.

An on-chip processor such as the Nios II processor, or an external processor, can access the CPRI v7.0 configuration address space using this Avalon-MM interface.



Related Information

Avalon Interface Specifications

For more information about the Avalon-MM protocol, including timing diagrams, refer to the *Avalon Memory-Mapped Interfaces* chapter.

3.15.1. CPU Interface Signals

Table 32. CPRI v7.0 IP Core CPU Interface Signals

The CPRI v7.0 IP core CPU interface has the following features:

- Avalon-MM slave interface compliant.
- Provides support for single cycle read and write operations: you can read or write a single register in a single access operation.
- Supports a single `cpu_clk` clock cycle read latency and a zero `cpu_clk` clock cycle write latency for most registers.

Signal Name	Direction	Description
<code>cpu_clk</code>	Input	Clocks the signals on the CPRI v7.0 CPU interface. Supports any frequency that the device fabric supports.
<code>cpu_reset_n</code>	Input	Active low reset signal. Resets the CPRI v7.0 CPU interface and all of the registers to which it provides access. You should hold this signal asserted for one full <code>cpu_clk</code> cycle to ensure it is captured by the IP core.
<code>cpu_address[15:0]</code>	Input	Address for reads and writes. All CPRI v7.0 control and status registers are 32 bits wide. By default, this address is a word address (addresses a 4-byte (32-bit) word), not a byte address. However, if you set Avalon-MM interface addressing type to Byte in the CPRI v7.0 parameter editor, this address is a byte address.
<code>cpu_byteenable[3:0]</code>	Input	Data-byte enable signal
<code>cpu_read</code>	Input	You must assert this signal to request a read transfer
<code>cpu_write</code>	Input	You must assert this signal to request a write transfer
<code>cpu_writedata[31:0]</code>	Input	Write data
<code>cpu_readdata[31:0]</code>	Output	Read data
<code>cpu_waitrequest</code>	Output	Indicates that the control and status interface is busy executing an operation. When the IP core deasserts this signal, the operation is complete and the read data is valid.
<code>cpu_irq</code>	Output	Interrupt request. All interrupts that you enable in the relevant register fields, assert this interrupt signal when they are triggered. You must check the relevant register fields to determine the cause or causes of the interrupt assertion.

Figure 44. Read Transaction on CPU Interface

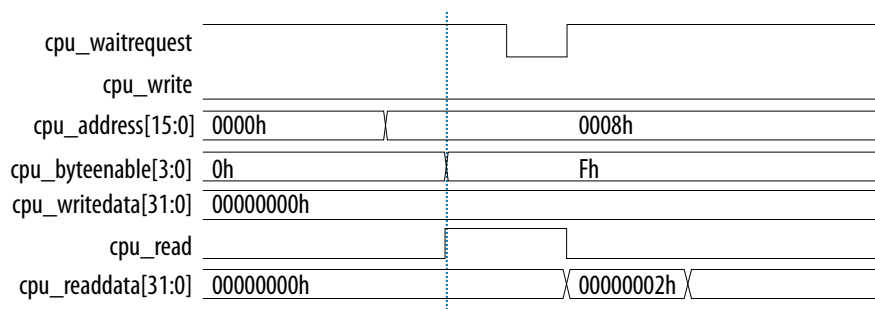
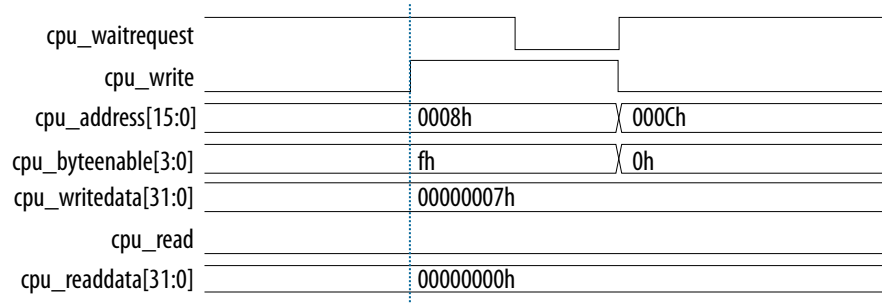


Figure 45. Write Transaction on CPU Interface



Related Information

Avalon Interface Specifications

For more information about the Avalon-MM protocol, refer to the *Avalon Memory-Mapped Interfaces* chapter.

3.15.2. Accessing the Hyperframe Control Words

When you turn on **Enable all control word access via management interface** in the CPRI v7.0 parameter editor, you can access the 256 control words in a hyperframe through the CPRI v7.0 IP core CPU interface. The CTRL_INDEX register and the RX_CTRL register support your application in reading the incoming control words, and the L1_CONFIG register, CTRL_INDEX register, and TX_CTRL register support the application in writing to outgoing control words.

Register support provides you access to the full control word. Alternatively, in timing-critical applications, you can access the full control words through the CPRI v7.0 IP core AUX interface or other dedicated direct interfaces.

Note: Intel recommends that you use the CPU interface to access the hyperframe control words only in applications that are not timing-critical.



3.15.2.1. Specifying the Control Word

Figure 46. Subchannels in a Hyperframe

Illustrates how the 256 control words in the hyperframe are organized as 64 subchannels of four control words each. The figure illustrates why the index X of a control word is $N_s + 64 + X_s$, where N_s is the subchannel index and X_s is the index of the control word within the subchannel.

	$X_s == 0$	1	2	3
$N_s == 0$	0: K28.5	Synchronization and Timing		
1	1: HDLC link	65: HDLC	129: HDLC	193: HDLC
2	2: L1 In-band	66: L1 in-band	130: L1 in-band	194: P (20 = 0x14)
3	3: Reserved	67: Reserved		
4	4: Ctrl_AxC
	...			
7	7: Ctrl_AxC	71: Ctrl_AxC	135: Ctrl_AxC	199: Ctrl_AxC
	...			
14	14: Reserved			
15	15: Reserved	79: Reserved	143: Reserved	207: Reserved
16	Vendor-specific			
	...			
19				
20 Pointer P --->	20: Ethernet			
	...			
62	62	126	190	254
63	63	127	191	255

The `rx_ctrl_x` and `tx_ctrl_x` fields of the `CTRL_INDEX` register hold the X value of the control word you want to access through the control and status interface.

3.15.2.2. Specifying the Position in the Control Word

You can access 32 bits in a single register access. Depending on the CPRI line bit rate, a control word may have multiple 32-bit sections. Therefore, in addition to specifying the control word location in the CPRI frame, you must also specify a 32-bit aligned position in the control word.

Table 33. Control Word Byte Positions in RX_CTRL and TX_CTRL Registers

In this table, each control word nibble is indicated with 0xF. The presence of 0xF or 0x0 indicates whether the nibble within the register is populated with a valid control word nibble.

CPRI Bit Rate (Gbps)	Register Access Sequence Number ({rx,tx}_ctrl_seq)											
	0 (1st access)	1 (2nd access)	2 (3rd access)	3 (4th access)	4 (5th access)	5 (6th access)	6 (7th access)	7 (8th access)	8 (9th access)	9 (10th access)	10 (11th access)	11 (12th access)
0.6144	FF0000	0	0	0	0	0	0	0	0	0	0	0
1.2288	FFFF00	0	0	0	0	0	0	0	0	0	0	0
2.4576	FFFFFF	0	0	0	0	0	0	0	0	0	0	0
3.072	FFFFFF	FF0000	0	0	0	0	0	0	0	0	0	0
4.9152	FFFFFF	FFFFFF	0	0	0	0	0	0	0	0	0	0
6.144	FFFFFF	FFFFFF	FFFF00	0	0	0	0	0	0	0	0	0
8.11008, 9.8034	FFFFFF	FFFFFF	FFFFFF	FFFFFF	0	0	0	0	0	0	0	0
10.1376	FFFFFF	FFFFFF	FFFFFF	FFFFFF	FF0000	0	0	0	0	0	0	0
12.16512	FFFFFF	FFFFFF	FFFFFF	FFFFFF	FFFFFF	FFFFFF	0	0	0	0	0	0
24.33024	FFFFFF	FFFFFF	FFFFFF	FFFFFF	FFFFFF	FFFFFF	FFFFFF	FFFFFF	FFFFFF	FFFFFF	FFFFFF	FFFFFF

However, the table does not clarify which control word byte occupies which position in the register. The following examples indicate the correspondence between register bytes and control word bytes:

- At the CPRI line bit rate of 0.6144 Gbps, when you access hyperframe control word X, the 8-bit control word from hyperframe position #Z.X.0 is in bits [31:24] of the register.
- At the CPRI line bit rate of 1.2288 Gbps, the byte from position #Z.X.0.0 is in bits [31:24] of the register and the byte from position #Z.X.0.1 is in bits [23:16] of the register.
- At the CPRI line bit rate of 3.072 Gbps, you must access the register twice to retrieve or write the full control word. In the first access operation, you access the 32 bits of the control word in positions #Z.X.0.0 (in register bits [31:24]), #Z.X.0.1 (in register bits [23:16]), #Z.X.0.2 (in register bits [15:8]), and #Z.X.0.3 (in register bits [7:0]). In the second access operation, you access the eight bits of the control word in position #Z.X.0.4 in bits [31:24] of the register.

3.15.2.3. Retrieving the Hyperframe Control Words

A control receive table contains one entry for each of the 256 control words in the current hyperframe. To read a control word, your application must write the control word number X to the rx_ctrl_x field of the CTRL_INDEX register and then read the last received #Z.X control word from the RX_CTRL register. Because the register can



hold only 32 bits at a time, depending on the CPRI line bit rate, reading the full control word may require multiple register accesses. Increment the value in the `rx_ctrl_seq` field of the `CTRL_INDEX` register from zero to four to access the full control word when the CPRI line bit rate is 10.1376 Gbps, or from zero to two when the CPRI line bit rate is 6.144 Gbps, for example.

Example 1. Control Word Retrieval Example

To retrieve the vendor-specific portion of a control word in the most recent received hyperframe, perform the following steps:

1. Identify the indices for the vendor-specific portion of the transmit control table, using the formula $X = N_s + 64 + X_s$.
In the example, $N_s = 16$ and $X_s = 0, 1, 2,$ and 3 . Therefore, the indices to be read are 16, 80, 144, and 208.
2. For each value X in 16, 80, 144, and 208, perform the following steps:
 - a. Write the value X to the `rx_ctrl_x` field of the `CTRL_INDEX` register.
 - b. Reset the `rx_ctrl_seq` field of the `CTRL_INDEX` register to the value of zero.
 - c. In the following `cpu_clk` cycle, read the first 32-bit section of the control word from the `RX_CTRL` register.
 - d. If the CPRI line bit rate is greater than 2.4576 Gbps, increment the `rx_ctrl_seq` field of the `CTRL_INDEX` register to the value of 1 and in the following `cpu_clk` cycle, read the second 32-bit section of the `#Z.X` control word from the `RX_CTRL` register.
 - e. If the CPRI line bit rate is greater than 4.9152 Gbps, increment the `rx_ctrl_seq` field of the `CTRL_INDEX` register to the value of 2 and in the following `cpu_clk` cycle, read the third 32-bit section of the `#Z.X` control word from the `RX_CTRL` register.
 - f. If the CPRI line bit rate is greater than 6.144 Gbps, increment the `rx_ctrl_seq` field of the `CTRL_INDEX` register to the value of 3 and in the following `cpu_clk` cycle, read the fourth 32-bit section of the `#Z.X` control word from the `RX_CTRL` register.
 - g. If the CPRI line bit rate is 10.1376 Gbps, increment the `rx_ctrl_seq` field of the `CTRL_INDEX` register to the value of 4 and in the following `cpu_clk` cycle, read the fifth 32-bit section of the `#Z.X` control word (the real-time vendor specific bytes) from the `RX_CTRL` register.

3.15.2.4. Writing the Hyperframe Control Words

A control transmit table contains one entry for each of the 256 control words in the current hyperframe. Each control transmit table entry contains a control word and an enable bit. As the frame is created, if a control word entry is enabled, and the global `tx_ctrl_insert_en` bit in the `L1_CONFIG` register is set, the IP core writes the appropriate control transmit table entry to the CPRI frame's control word.

You write to a control transmit table entry through the `TX_CTRL` register. This register access method requires that you write the control word in 32-bit sections. Use the `tx_ctrl_seq` field of the `CTRL_INDEX` register to specify the 32-bit section you are currently writing to the `TX_CTRL` register.

To write a control word in the control transmit table, perform the following steps:

1. Write the control word number X to the `tx_ctrl_x` field of the `CTRL_INDEX` register.
2. Reset the `tx_ctrl_seq` field of the `CTRL_INDEX` register to the value of zero.
3. Write the first 32-bit section of the next intended #Z.X control word to the `TX_CTRL` register.
4. If the CPRI line bit rate is greater than 2.4576 Gbps, increment the `tx_ctrl_seq` field of the `CTRL_INDEX` register to the value of 1 and write the second 32-bit section of the next intended #Z.X control word to the `TX_CTRL` register.
5. If the CPRI line bit rate is greater than 4.9152 Gbps, increment the `tx_ctrl_seq` field of the `CTRL_INDEX` register to the value of 2 and write the third 32-bit section of the next intended #Z.X control word to the `TX_CTRL` register.
6. If the CPRI line bit rate is greater than 6.144 Gbps, increment the `tx_ctrl_seq` field of the `CTRL_INDEX` register to the value of 3 and write the fourth 32-bit section of the next intended #Z.X control word to the `TX_CTRL` register.
7. If the CPRI line bit rate is 10.1376 Gbps, increment the `tx_ctrl_seq` field of the `CTRL_INDEX` register to the value of 4 and write the fifth 32-bit section of the next intended #Z.X control word (the real-time vendor specific bytes) to the `TX_CTRL` register.
8. Set the `tx_ctrl_insert` bit of the `CTRL_INDEX` register to the value of 1.
9. After you update the control transmit table, set the `tx_ctrl_insert_en` bit of the `L1_CONFIG` register to enable the CPRI v7.0 IP core to write the values from the control transmit table to the control words in the outgoing CPRI frame.

The `tx_control_insert` bit of the `CTRL_INDEX` register enables or disables the transmission of the corresponding control transmit table entry in the CPRI frame. The `tx_ctrl_insert_en` bit of the `L1_CONFIG` register is the master enable: when it is set, the CPRI v7.0 IP core writes all table entries with the `tx_ctrl_insert` bit set into the CPRI frame.

Example 2. Control Word Transmission Example

To write the vendor-specific portion of the control word in a transmitted hyperframe, perform the following steps:

1. Identify the indices for the vendor-specific portion of the transmit control table, using the formula $X = N_s + 64 + X_s$.

In the example, $N_s = 16$ and $X_s = 0, 1, 2,$ and 3 . Therefore, the indices to be read are 16, 80, 144, and 208.

2. For each value X in 16, 80, 144, and 208, perform the sequence of steps listed above.

After you update the control transmit table with the control bytes, to insert the data in the next outgoing CPRI frame, make sure that you set the `tx_ctrl_insert_en` bit of the `L1_CONFIG` register to the value of 1 as specified in the instructions.



3.16. Auto-Rate Negotiation

If you turn on **Enable line bit rate auto-negotiation** in the CPRI v7.0 parameter editor, the auto-rate negotiation control and status interface is available. The CPRI v7.0 IP core provides support for dynamically changing the CPRI line bit rate, but requires that you implement user logic to control the auto-rate negotiation process. You control the process through the auto-rate negotiation control and status interface or the `BIT_RATE_CONFIG` register at offset 0x0C.

Table 34. Auto-Rate Negotiation Control and Status Interface Signals

All interface signals are clocked by the `cpri_clkout` clock.

Signal Name	Direction	Description
<code>nego_bitrate_in[5:0]</code>	Input	<p>CPRI line bit rate to be used in next attempt to achieve frame synchronization, encoded according to the following valid values:</p> <ul style="list-style-type: none"> 6'b000001: 0.6144 Gbps 6'b000010: 1.2288 Gbps 6'b000100: 2.4576 Gbps 6'b000101: 3.0720 Gbps 6'b001000: 4.9150 Gbps 6'b001010: 6.1440 Gbps 6'b010110: 8.11008 Gbps 6'b010000: 9.8304 Gbps 6'b010100: 10.1376 Gbps 6'b011000: 12.16512 Gbps 6'b110000 : 24.33024 Gbps <p>This signal has higher priority than the <code>bit_rate</code> field in the <code>BIT_RATE_CONFIG</code> register at offset 0x0C. When this signal has the value of 5'b000000, the CPRI v7.0 IP core responds to the register field.</p>
<code>nego_bitrate_out[4:0]</code>	Output	Reflects the current actual CPRI line bit rate.

Related Information

[BIT_RATE_CONFIG Register](#) on page 118

3.17. Extended Delay Measurement

The CPRI v7.0 IP core employs an additional mechanism to measure the delay through the IP core FIFOs to your desired precision. Separate dedicated clocks support this measurement for the RX and TX internal buffers in all variations and for the hard FIFOs present only in Intel Stratix 10 variations.

Related Information

- [TX_EX_DELAY Register](#) on page 126
- [RX_EX_DELAY Register](#) on page 127
- [Extended Delay Measurement Interface](#) on page 88

3.17.1. Extended Delay Measurement for Soft Internal Buffers

The CPRI v7.0 IP core uses a dedicated clock, `ex_delay_clk`, to measure the delay through the RX and TX internal buffers to your desired precision. The extended delay process is identical for the two directions of flow through the IP core; the `TX_EX_DELAY` and `RX_EX_DELAY` registers hold the same information for the two directions.

The `tx_msrm_period` field of the `TX_EX_DELAY` register contains the value N , such that N clock periods of the `ex_delay_clk` clock are equal to some whole number M of `cpri_clkout` periods. For example, N may be a multiple of M , or the M/N frequency ratio may be slightly greater than 1, such as $64/63$ or $128/127$. The application layer specifies N to ensure the accuracy your application requires. The accuracy of the Tx buffer delay measurement is $N/\text{least_common_multiple}(N,M)$ `cpri_clkout` periods.

Similarly, the `rx_msrm_period` field of the `RX_EX_DELAY` register contains the value N , such that N clock periods of the `ex_delay_clk` clock are equal to some whole number M of `cpri_clkout` periods.

If your application does not require this precision, drive the `ex_delay_clk` input port with the `cpri_clkout` signal. In this case, the M/N ratio is 1 because the frequencies are the same.

The `tx_buf_delay` field of the `TX_DELAY` register indicates the number of 32-bit words currently in the Tx buffer. After you program the `tx_msrm_period` field of the `TX_EX_DELAY` register with the value of N , the `tx_ex_delay` field of the `TX_EX_DELAY` register holds the current measured delay through the Tx buffer. The unit of measurement is `cpri_clkout` periods. The `tx_ex_delay_valid` field indicates that a new measurement has been written to the `tx_ex_delay` field since the previous register read. The following sections explain how you set and use these register values to derive the extended Tx delay measurement information.

M/N Ratio Selection

As your selected M/N ratio approaches 1, the accuracy provided by the extended delay measurement increases.

Table 35. Resolution as a Function of M/N Ratio at 3.072 Gbps

M	N	cpri_clkout Period	ex_delay_clk Period	Resolution
128	127	13.02 ns (1/76.80 MHz)	13.12 ns	±100 ps
64	63		13.22 ns	±200 ps
1	4		3.25 ns	±3.25 ns

Example 3. Extended Delay Measurement Calculation Example

This section walks you through an example that shows you how to calculate the frequency at which to run `ex_delay_clk`, and how to program and use the registers to determine the delay through the CPRI Receive Buffer.

For example, assume your CPRI v7.0 IP core runs at CPRI line bit rate 3.072 Gbps. In this case, the `cpri_clkout` frequency is 76.80, so a `cpri_clkout` cycle is 1/76.80 MHz.



If your accuracy resolution requirements are satisfied by an M/N ratio of 128/127, perform the following steps:

1. Program the value N=127 in the `rx_msrm_period` field of the `RX_EX_DELAY` register at offset 0x54.
2. Perform the following calculation to determine the `ex_delay_clk` frequency that supports your desired accuracy resolution:

$$\text{ex_delay_clk period} = (M/N) \text{ cpri_clkout period} = (128/127)(1/(76.80 \text{ MHz})) = 13.123356 \text{ ns.}$$

Based on this calculation, the frequency of `ex_delay_clk` is $1/(13.123356 \text{ ns})$

The following steps assume that you run `ex_delay_clk` at this frequency.

3. Read the value of the `RX_EX_DELAY` register at offset 0x54.
If the `rx_ex_delay_valid` field of the register is set to 1, the value in the `rx_ex_delay` field has been updated, and you can use it in the following calculations. For this example, assume the value read from the `rx_ex_delay` field is 0x107D, which is decimal 4221.

4. Perform the following calculation to determine the delay through the Rx buffer:

$$\text{Delay through Rx buffer} = (\text{rx_ex_delay} \times \text{cpri_clkout period}) / N = (4221 \times 13.02083 \text{ ns}) / 127 = 432.7632 \text{ ns.}$$

This delay comprises $(432.7632 \text{ ns} / 13.02083 \text{ ns}) = 33.236$ `cpri_clkout` clock cycles.

These numbers provide you the result for this particular example. For illustration, the preceding calculation shows the result in nanoseconds. You can derive the result in `cpri_clkout` clock cycles by dividing the preceding result by the `cpri_clkout` clock period. Alternatively, you can calculate the number of `cpri_clkout` clock cycles of delay through the Rx buffer directly, as `rx_msrm_period/N`.

3.17.2. Extended Delay Measurement for Intel Stratix 10 Hard FIFOs

The CPRI v7.0 IP core uses a dedicated clock, `latency_sclk`, to measure the delay through the RX and TX Intel Stratix 10 device hard FIFOs that are configured in the CPRI v7.0 IP core.

The delay calculation process is identical for the two directions of flow through the IP core; the `XCVR_TX_FIFO_DELAY` and `XCVR_RX_FIFO_DELAY` registers hold the same information for the two directions.

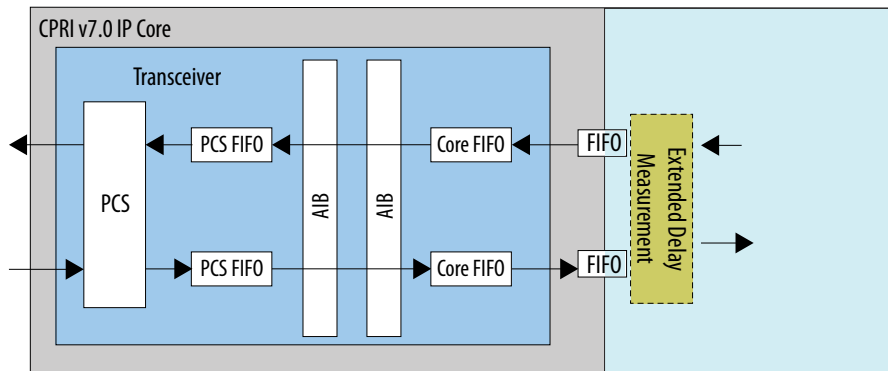
To measure the current Tx delay through the hard FIFOs:

- Check the `tx_pcs_fifo_delay_valid` and `tx_core_fifo_delay_valid` fields of the `XCVR_TX_FIFO_DELAY` register at offset 0x84 to ensure the delay count values are updated.
- Add the delay count values in the `tx_pcs_fifo_delay` and `tx_core_fifo_delay` fields of the `XCVR_TX_FIFO_DELAY` register at offset 0x84.
- Multiply the result by the clock period of the `latency_sclk`.
- Divide this result by 128.

To measure the current Rx delay through the hard FIFOs:

- Check the `rx_pcs_fifo_delay_valid` and `rx_core_fifo_delay_valid` fields of the `XCVR_RX_FIFO_DELAY` register at offset `0x88` to ensure the delay count values are updated.
- Add the delay count values in the `rx_pcs_fifo_delay` and `rx_core_fifo_delay` fields of the `XCVR_RX_FIFO_DELAY` register at offset `0x88`.
- Multiply the result by the clock period of the `latency_sclk`.
- Divide this result by 128.

Figure 47. Additional Delay Through Stratix 10 Hard FIFOs



3.17.3. Extended Delay Measurement Interface

Table 36. Extended Delay Measurement Interface Signals

Signal Name	Direction	Description
<code>ex_delay_clk</code>	Input	Clock for extended delay measurement.
<code>ex_delay_reset_n</code>	Input	Resets the extended delay measurement block. This signal is active low. This reset signal is associated with the <code>ex_delay_clk</code> clock.
<code>latency_sclk</code>	Input	Clock for extended delay measurement of Intel Stratix 10 hard FIFOs. You can (but need not) drive this clock at the same frequency as <code>ex_delay_clk</code> .
<code>latency_sreset_n</code>	Input	Resets the extended delay measurement soft logic for the Intel Stratix 10 hard FIFOs. This signal is active low. This reset signal is associated with the <code>latency_sclk</code> clock.

3.18. Deterministic Latency and Delay Measurement and Calibration

The CPRI v7.0 IP core complies with CPRI v7.0 Specification requirements R-19, R-20, R-20A, R-21, and R-21A.

3.18.1. Delay Measurement and Calibration Features

The CPRI v7.0 Specification measurement and delay requirements support system configuration and correct synchronization.

The CPRI v7.0 IP core provides the following support for accurate delay measurement:

- Provides current Rx delay measurement values in the `RX_DELAY` and `RX_EX_DELAY` registers.
- Provides current Tx delay calibration values in the `XCVR_BITSLIP` register.
- Provides current round-trip delay measurement value in the `ROUND_TRIP_DELAY` register.
- Supports user control over delay measurement accuracy in the `TX_EX_DELAY` and `RX_EX_DELAY` registers.
- If you turn on **Enable round-trip delay calibration** in the CPRI v7.0 parameter editor, supports round-trip delay calibration.
- If you turn on **Enable single-trip delay calibration** in the CPRI v7.0 parameter editor, supports single-trip delay calibration.

3.18.2. Delay Requirements

CPRI v7.0 Specification requirements R-17, R-18, and R-18A address jitter and frequency accuracy in the RE core clock for radio transmission. The relevant clock synchronization is performed using an external clean-up PLL that is not included in the CPRI v7.0 IP core.

CPRI v7.0 Specification requirement R-20A addresses the maximum allowed delay in switching between receiving and transmitting on the radio interface. The radio interface is implemented outside the IP core based on raw data presented on the AUX interface or other direct interfaces. Because the IP core provides duplex communication on these interfaces, no delay calculation is required.

Requirement R-19 specifies that the link delay accuracy for the downlink between the synchronization master SAP and the synchronization slave SAP, excluding the cable length, be within ± 8.138 ns. Requirements R-20 and R-21 extrapolate this requirement to single-hop round-trip delay accuracy. R-20 requires that the accuracy of the round-trip delay, excluding cables, be within ± 16.276 ns, and R-21 requires that the round-trip cable delay measurement accuracy be within the same range. Requirement R-21A extrapolates this requirement further, to multihop round-trip delay accuracy. In calculating these delays, Intel assumes that the downlink and uplink cable delays have the same duration.

Figure 48. Single-Hop CPRI v7.0 IP Core Configuration Delay Measurement Reference Points

The round-trip cable delay is the sum of the T12 and T34 delays. The two delays are assumed to have the same duration.

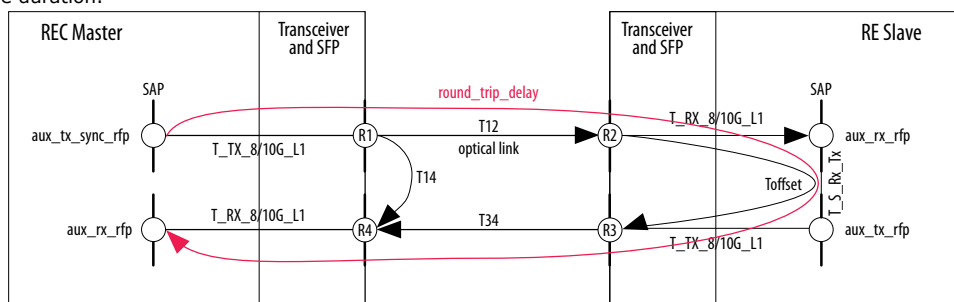
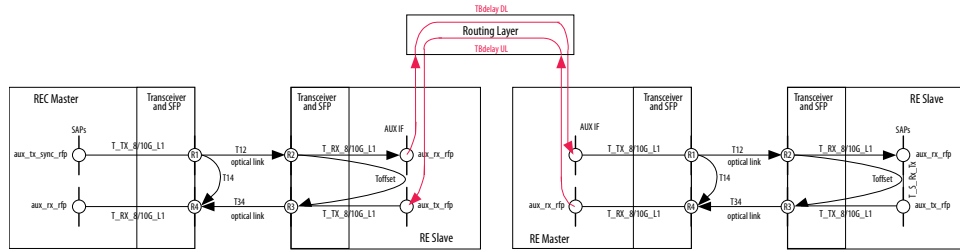


Figure 49. Multihop CPRI v7.0 IP Core Configuration Delay Measurement Reference Points

The duration of TBdelay depends on your routing layer implementation.



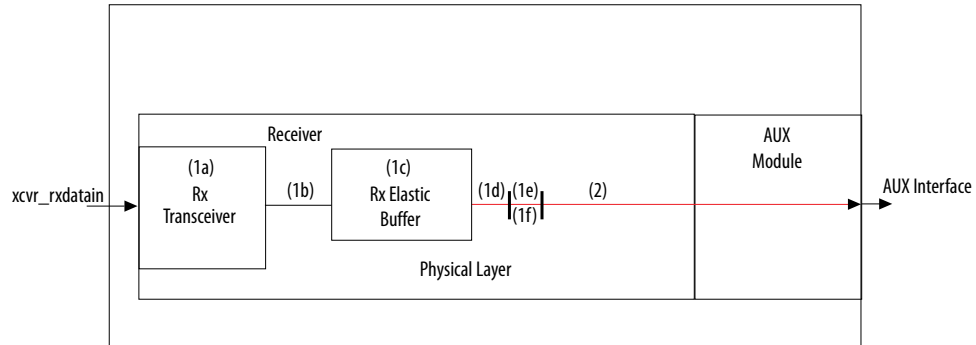
3.18.3. Single-Hop Delay Measurement

The Rx path delay and Tx path delay through the CPRI v7.0 IP core are the main components of the round-trip delay through a single-hop system.

3.18.3.1. Rx Path Delay

The Rx path delay is the cumulative delay from the arrival of the first bit of a 10 ms radio frame on the CPRI Rx interface to the start of transmission of the radio frame on the AUX interface.

Figure 50. Rx Path Delay to AUX Output in CPRI v7.0 IP Core



The Rx path delay to the AUX interface is the sum of the following delays:

1. The link delay is the delay between the arrival of the first bit of a 10 ms radio frame on the CPRI Rx interface and the CPRI v7.0 IP core internal transmission of the radio frame pulse from the CPRI protocol interface receiver.
 - a. Rx transceiver latency is a fixed delay through the deterministic latency path of the Rx transceiver. Its duration depends on the device family and the current CPRI line bit rate. This delay includes comma alignment and byte alignment within the transceiver.
 - b. Fixed delay from the Rx transceiver to the Rx elastic buffer. This delay depends on the device family and the CPRI line bit rate.



Note: In IP core variations that target an Intel Stratix 10 device, you must also add the delay through the Stratix 10 hard FIFOs in the Rx path.

- c. Delay through the clock synchronization FIFO, as well as the phase difference between the recovered receive clock and the core clock `cpri_clkout`. The "Extended Delay Measurement" section shows how to calculate the delay in the CPRI v7.0 IP core Rx elastic buffer, which includes the phase difference delay.
 - d. Byte alignment delay that can occur as data is shifted out of the receiver. This variable delay appears in the `rx_byte_delay` field of the `RX_DELAY` register. When the value in `rx_byte_delay` is non-zero, a byte alignment delay of one `cpri_clkout` cycle occurs in the Rx path.
 - e. Variable delay introduced by the optional single-trip delay calibration feature in CPRI link slave IP cores.
 - f. Variable delay introduced by the optional round-trip delay calibration feature in CPRI link master IP cores.
2. Delay from the CPRI low-level receiver block to the AUX interface. This delay depends on the device family and the CPRI line bit rate.

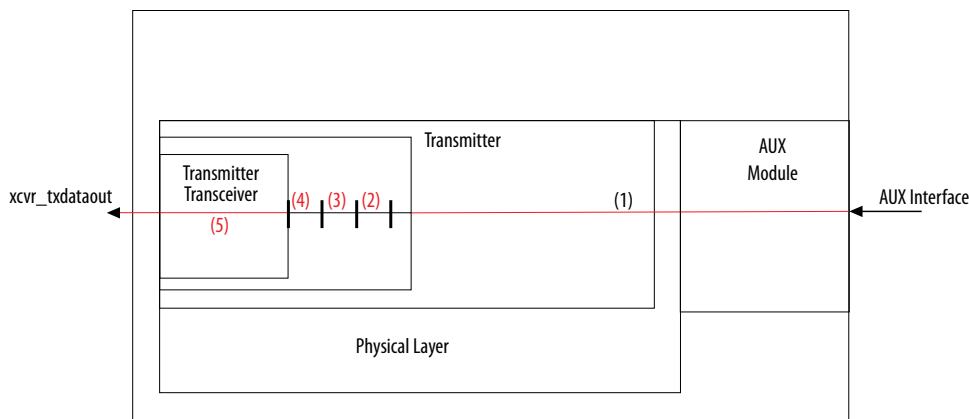
Related Information

[RX_DELAY Register](#) on page 126

3.18.3.2. Tx Path Delay

The Tx path delay is the cumulative delay from the arrival of the first bit of a 10 ms radio frame on the CPRI AUX interface (or other direct interface) to the start of transmission of this data on the CPRI link.

Figure 51. Tx Path Delay from AUX Interface to CPRI Link in CPRI v7.0 IP Core



The Tx path delay from the AUX interface to the CPRI link is the sum of the following delays:

1. Fixed delay from the AUX interface through the CPRI low-level transmitter to the Tx elastic buffer. This delay depends on the device family and the current CPRI line bit rate.
2. Variable delay through the Tx elastic buffer, as well as the phase difference between the core clock `cpri_clkout` and the transceiver `tx_clkout` clock. The "Extended Delay Measurement" section shows how to calculate the delay in the CPRI v7.0 IP core Tx elastic buffer, which includes the phase difference delay.
3. Variable Tx bitslip delay in CPRI RE slaves. Refer to "Tx Bitslip Delay."
4. Fixed delay from the Tx elastic buffer to the transceiver. This delay depends on the device family and the CPRI line bit rate.

Note: In IP core variations that target an Intel Stratix 10 device, you must also add the delay through the Stratix 10 hard FIFOs in the Tx path. Refer to "Extended Delay Measurement for Intel Stratix 10 Hard FIFOs" section.

5. Link delay through the transceiver.

Related Information

[TX_DELAY Register](#) on page 125

3.18.3.3. Round-Trip Delay

You can read the `ROUND_TRIP_DELAY` register or calculate the round-trip delay from the delay components (Rx path delay, Tx path delay, cable delay, and Rx-to-Tx switching latency). The `round_trip_delay` field of the `ROUND_TRIP_DELAY` register in an REC master records the total round-trip delay from the start of the internal transmit radio frame in the REC to the start of the internal receive radio frame in the REC, that is, from SAP to SAP, in CPRI REC and RE masters.

CPRI v7.0 Specification requirements R-20 and R-21 address the round-trip delay. Requirement R-20 addresses the measurement without including the cable delay, and requirement R-21 is the requirement for the cable delay. Both requirements state that the variation must be no more than ± 16.276 ns.

To monitor the round-trip delay, you must check periodically to confirm that the variation in measurements over time is small enough that the requirements are met.

Note: The round trip delay is the sum of the Tx path delays through the REC master and the RE slave, the Rx path delays through the REC master and the RE slave, the cable delay, and the Tx-to-Rx switching delay, sometimes referred to as the loopback delay. The Tx-to-Rx switching delay is labeled `T_S_Rx_Tx` in the figure. The Tx-to-Rx switching delay depends on the loopback path and the device.

Related Information

[ROUND_TRIP_DELAY Register](#) on page 127

3.18.4. Multi-Hop Delay Measurement

In a multi-hop system, you must combine the delays between and through the different CPRI masters and CPRI RE slaves to determine the round-trip delay.



To determine the round-trip delay of a full multi-hop system, you must add together the values in the `ROUND_TRIP_DELAY` registers of the REC and RE masters in the system, plus the delays through the external routers, and subtract the loopback delay from all the hops except the final hop.

$$\text{Round-trip delay} = \sum_i \text{round_trip_delay (hop } i) + \sum_j (\text{TBdelayUL} + \text{TBdelayDL})(j) - \sum_j \text{T_S_Rx_Tx}(j)$$

where the REC and RE masters in the configuration are labeled $i = 0, 1, \dots, n$ and the routing layers in the configuration, and their uplink and downlink delays, are labeled $j = 0, 1, \dots, (n-1)$.

As the equation shows, you must omit the loopback delay from the single-hop calculation for all but the final pair of CPRI link partners. The loopback delay is only relevant at the turnaround point of the full multi-hop path.

3.18.5. Delay Calibration Features

The CPRI v7.0 IP core provides multiple calibration features to support compliance with the CPRI v7.0 Specification.

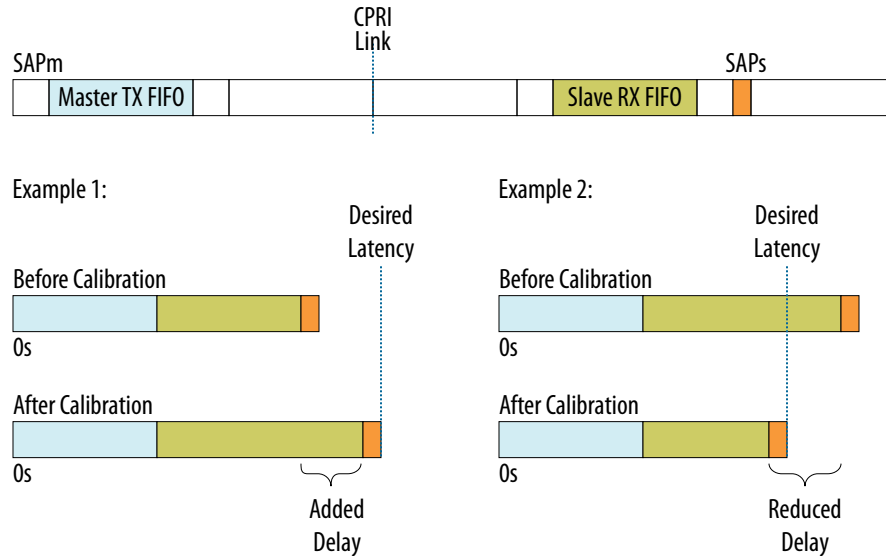
- If you turn on **Enable single-trip delay calibration** in the CPRI v7.0 parameter editor, supports single-trip delay calibration using the `DELAY_CAL_STD_CTRL1`, `DELAY_CAL_STD_CTRL2`, `DELAY_CAL_STD_CTRL3`, `DELAY_CAL_STD_CTRL3`, `DELAY_CAL_STD_CTRL4`, `DELAY_CAL_STD_CTRL5`, and `DELAY_CAL_STD_STATUS` registers. You can connect the IOPLL and DPCU blocks that Intel provides with the CPRI v7.0 IP core to ensure correct calibration results.
- If you turn on **Enable round-trip delay calibration** in the CPRI v7.0 parameter editor, supports round-trip delay calibration using the `DELAY_CAL_RTD` register.
- In all supported device families, increases the consistency of the round-trip delay using the `XCVR_BITSLIP` register.

3.18.5.1. Single-Trip Delay Calibration

The CPRI v7.0 IP core provides an optional mechanism to support calibrating the total delay through a CPRI master and slave on the downlink in a single hop.

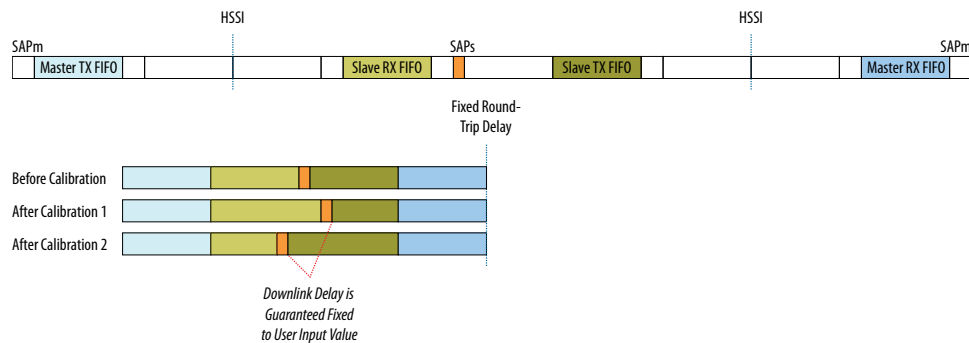
If you turn on **Enable single-trip delay calibration** in the CPRI v7.0 parameter editor, the CPRI v7.0 IP core and IOPLL and dynamic phase control unit (DPCU) blocks work together to adjust the delay through the RE slave Rx path in response to information about the delay through the REC or RE master Tx path.

Figure 52. Downlink Slave Delay Adjustment for Single-Trip Delay Calibration



The feature introduces the new delay to maintain a single-trip delay measurement as close as possible to the desired single-trip delay you provide to the CPRI v7.0 IP core. The application can also provide Tx path delay information that is appropriate for other use scenarios. For example, you might want to adjust the latency to the synchronization SAP to compensate for the IQ mapper requirements in your system. Refer to the Altera wiki Latency Formula and Calculation Example page.

Figure 53. Single-Trip Delay Does Not Affect Link Delay



The `cal_cycle_delay` and `cal_step_delay` fields of the `DELAY_CAL_STD_CTRL2` register in the CPRI link slave hold the anticipated delay that you program. The `cal_current_delay` field of the `DELAY_CAL_STD_STATUS` register in the CPRI link slave holds the total actual variable delay measurement in the single trip from the synchronization SAP in the CPRI link master to the synchronization SAP in the current CPRI link slave. You can manually specify a consistency check whenever you want, or you can specify that the IP core should run a consistency check once every hyperframe.

If you turn on single-trip delay calibration by setting the `cal_en` bit in the `DELAY_CAL_STD_CTRL1` register, the single-trip calibration feature is active. The user programs the `cal_cycle_delay` and `cal_step_delay` fields with the number of



whole and fractional `cpri_clkout` cycles of single-trip variable delay that the system requires. After each consistency check, the CPRI v7.0 slave IP core adjusts the Rx delay to compensate for mismatches between the programmed, required single-trip delay and the actual single-trip variable delay recorded in the `cal_current_delay` register field. The delay adjustment mechanism is dynamic phase shifting of the `cpri_coreclk`.

The slave IP core requires the master IP core measured Tx delay information to calculate the `cal_current_delay` value. The master IP core sends this information to its downlink slave by one of two possible mechanisms. You program the master IP core `DELAY_CAL_STD4` register to specify whether the master sends this information in the incoming hyperframe (and at which location in the hyperframe) or the system writes it in the dedicated slave IP core `DELAY_CAL_STD_CTRL5` register. You program the slave IP core `DELAY_CAL_STD3` register to specify whether the slave receives this information in the incoming hyperframe (and at which location in the hyperframe) or the system writes it in the dedicated slave `DELAY_CAL_STD_CTRL5` register. If both CPRI master and slave are CPRI v7.0 IP cores, and the register values in the CPRI link master and slave do not match, the single-trip delay calibration does not function correctly. If the CPRI master is not a CPRI v7.0 IP core, the CPRI slave must receive the correct information in the programmed register or hyperframe location.

Related Information

[Intel FPGA Wiki CPRI IP v6 Latency Formula and Calculation Example](#)

Provides information about how to use the single-trip delay calibration feature.

3.18.5.1.1. Single-Trip Latency Measurement and Calibration Interface Signals

Table 37. Single-Trip Latency Measurement and Calibration Interface Signals

If you turn on **Enable single-trip delay calibration** in the CPRI v7.0 parameter editor, the single-trip latency measurement and calibration interface is available. This interface is designed to connect to the DPCU block that helps implement single-trip delay calibration.

All interface signals are clocked by the `reconfig_clk` clock.

Signal Name	Direction	Description
<code>cal_status[1:0]</code>	Input	Status information from DPCU to CPRI v7.0 IP core.
<code>cal_ctrl[15:0]</code>	Output	Control information from CPRI v7.0 IP core to DPCU.

3.18.5.2. Round-Trip Delay Calibration

If you turn on **Enable round-trip delay calibration** in the CPRI v7.0 parameter editor, the CPRI v7.0 IP core provides an additional, optional mechanism to help minimize the variation in the round-trip delay through a CPRI REC or RE master.

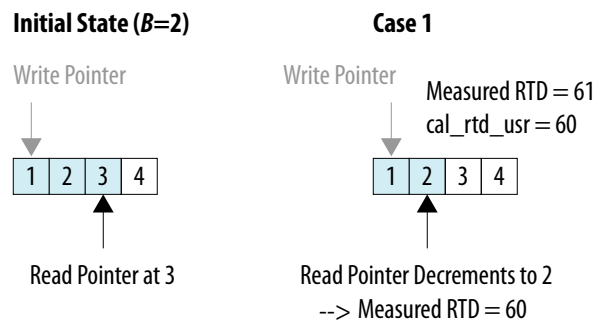
If you turn on **Enable round-trip delay calibration** in the CPRI v7.0 parameter editor, the dynamic pipelining feature for round-trip delay calibration introduces a delay in the Rx path in an REC or RE master. This delay is introduced to the Rx path immediately following the Rx elastic buffer. The feature introduces the new delay to maintain a round-trip delay measurement as close as possible to the anticipated round-trip delay you provide to the CPRI v7.0 IP core. The `DELAY_CAL_RTD` register holds the anticipated delay that you program, an enable bit you turn on to activate the feature, and a status field in which the CPRI v7.0 IP core reports its relative success in maintaining the round-trip delay you requested.

The CPRI v7.0 IP core is configured with a set of $N=2^B$ pipelined registers in the Rx path, where B is the value you specified for **Round-trip delay calibration FIFO depth** in the parameter editor. If the two lowest order bits of the `cal_rtd_ctrl` field (bits [25:24] of the `DELAY_CAL_RTD` register) have the value of 2'b01, the auto-calibration feature is active. The user programs the `cal_rtd_usr` field with the expected number of `cpri_clkout` cycles of round-trip delay. The CPRI v7.0 IP core adjusts the number of pipeline registers the data passes through (in contrast to the number of registers it bypasses) to compensate for mismatches between the desired round-trip delay programmed in the `cal_rtd_usr` field and the actual round-trip delay recorded in the `ROUND_TRIP_DELAY` register.

The `cal_rtd_status` field reports whether the CPRI IP core is successful in keeping the round-trip delay at the value you prescribed in the `cal_rtd_usr` field. If the two lowest order bits of the `cal_rtd_ctrl` field (bits [25:24] of the `DELAY_CAL_RTD` register) have the value of 2'b01, the value of the `cal_rtd_status` field should remain at 2'b10. If the value reaches 2'b11, indicating that the IP core is unable to meet the calibration requirement, you should reset the link or restart the calibration. You might also need to re-instantiate the IP core with a larger number of pipeline registers to support additional adjustment.

Initially, the number of pipeline registers the CPRI v7.0 IP core uses is one half the total number N of available register stages, plus one. This initial setting allows the IP core to adjust the number up or down as required, and adds $(N/2)+1$ latency cycles to the RX path delay and the round-trip delay. For buffer depth N , the pipeline read pointer can move $(N/2)-1$ entries in either direction from its initial state.

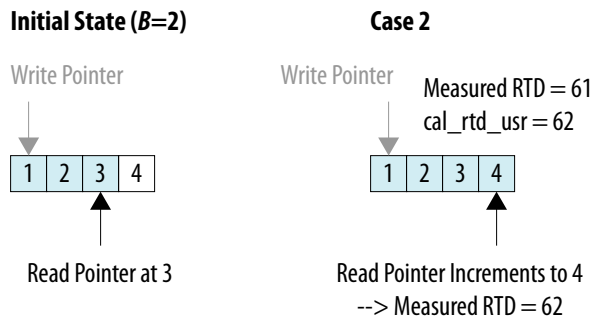
Figure 54. Pipeline Read Pointer Decrements to Decrease Measured Round-Trip Delay



In Case 1, the application writes the value of 60 in the `cal_rtd_usr` field of the `DELAY_CAL_RTD` register. When the CPRI v7.0 IP core measures the actual round-trip delay and sets the `round_trip_delay` field of the `ROUND_TRIP_DELAY` register to the value of 61, the CPRI v7.0 IP core responds by moving the read pointer to decrease the pipeline length, and therefore the measured round-trip delay value, by one `cpri_clkout` cycle. The adjustment achieves the desired effect: the measured round-trip delay value changes to 60.



Figure 55. Pipeline Read Pointer Increments to Increase Measured Round-Trip Delay



In Case 2, the application writes the value of 62 in the `cal_rtd_usr` field of the `DELAY_CAL_RTD` register. When the CPRI v7.0 IP core measures the actual round-trip delay and sets the `round_trip_delay` field of the `ROUND_TRIP_DELAY` register to the value of 61, the CPRI v7.0 IP core responds by moving the read pointer to increase the pipeline length, and therefore the measured round-trip delay value, by one `cpri_clkout` cycle. The adjustment achieves the desired effect: the measured round-trip delay value changes to 60.

3.18.5.3. Tx Bitslip Delay

To increase the consistency of the round-trip delay, the CPRI v7.0 RE slave introduces a variable bitslip on the Tx path to complement the variability in the word aligner in the transceiver on the Rx path.

The CPRI v7.0 IP core reports the Rx bitslip through the word aligner in the `rx_bitslip_out` field of the `XCVR_BITSLIP` register, and compensates for the variable delay by adding a bitslip in the Tx path. The current size of this bitslip in bits is available in the `tx_bitslip_in` field of the `XCVR_BITSLIP` register. When you leave the `tx_bitslip_en` field at its default value of 0, this feature is active.

The Tx bitslip feature ensures stability in the round-trip delay through a CPRI v7.0 RE core, but introduces a variable component in each of the Tx and Rx paths when considered independently. In CPRI v7.0 IP cores in master clocking mode, the `rx_bitslip_out` field has the constant value of 0.

If you set the value of the `tx_bitslip_en` field to 1, you can override the current `rx_bitslip_out` value to control the Tx bitslip delay manually. Intel does not recommend implementing the manual override.

In CPRI v7.0 IP core variations that target an Arria V, Cyclone V, or Stratix V device, the Tx bitslip functionality is included in the Transceiver PHY IP core that is generated with the CPRI v7.0 IP core. These variations include the `XCVR_BITSLIP` register to support manual override of the Tx bitslip delay.

Note: Intel does not recommend implementing the manual override for the Tx bitslip.

The total of the Tx bitslip delay and the word aligner bitslip delay in the transceiver receiver is added to the detailed round-trip delay calculation as part of the Tx and Rx transceiver delays. However, the total of these two bit values does not reach the



duration of a single `cpri_clkout` cycle, nor does it reach the threshold of the CPRI v7.0 specification R-20 and R-21 requirements. The bit-slip delay is noticeable only with an oscilloscope.

Related Information

[XCVR_BITSLIP Register](#) on page 127

3.19. CPRI v7.0 IP Core Transceiver and Transceiver Management Interfaces

The CPRI v7.0 IP core configures the interface to the CPRI serial link in an Intel FPGA device transceiver channel. The IP core provides multiple interfaces for managing the transceiver. The transceiver is configured with a Native PHY IP core and exposes many of its optional interfaces for ease of IP core integration in your design.

3.19.1. CPRI Link

The CPRI v7.0 IP core configures the interface to the CPRI serial link in an Intel FPGA device transceiver channel.

Table 38. CPRI Link Interface Signals

Signal Name	Direction	Description
<code>xcvr_rxdatain</code>	Input	High-speed serial data receiver port.
<code>xcvr_txdataout</code>	Output	High-speed serial data transmitter port.
<code>xcvr_los</code>	Input	Asynchronous signal that forces link to LOS state for quick resynchronization. If you implement the CPRI link with a fiber optic channel, you could connect this input signal to the SFP module LOS signal so that it is asserted when the SFP module loses signal. Otherwise, you should tie this signal to the value of 0.

3.19.2. Main Transceiver Clock and Reset Signals

Table 39. Main Transceiver Clock and Reset-Done Signals

The clocks for individual interfaces are listed with the relevant interface signals.

Signal Name	Direction	Description
<code>xcvr_cdr_refclk</code>	Input	Receiver CDR reference clock. You must drive this clock at the frequency you specified for the Receiver CDR reference clock frequency (MHz) parameter in the CPRI v7.0 parameter editor.
<code>xcvr_recovered_clk</code>	Output	Direct recovered clock from the receiver CDR. Use this output clock to drive the external clean-up PLL when your IP core is in slave mode. This clock is present only in CPRI v7.0 IP cores in slave clocking mode with Operation mode set to the value of RX/TX Duplex or RX Simplex .
<code>xcvr_reset_tx_done</code>	Output	Indicates the transmitter and IP core Tx path have completed the internal reset sequence. This signal is clocked by the <code>cpri_clkout</code> clock.

continued...



Signal Name	Direction	Description
xcvr_reset_rx_done	Output	Indicates the receiver and IP core Rx path have completed the internal reset sequence. This signal is clocked by the cpri_clkout clock.
tx_analogreset_ack	Output	This signal rises after the TX analog reset process completes. This signal falls after you deassert the tx_analogreset signal. This signal is asynchronous. Refer to Resetting Transceiver Channels in the <i>Intel Arria 10 Transceiver PHY User Guide</i> or the appropriate Intel Stratix 10 L- and H-Tile Transceiver PHY user guide. This signal is available in CPRI v7.0 IP cores that target an Intel Arria 10 device or an Intel Stratix 10 device. Your custom auto-rate negotiation logic can monitor this signal to determine when it can safely begin reconfiguring the device transceiver to a new CPRI line bit rate.
rx_analogreset_ack	Output	This signal rises after the RX analog reset process completes. This signal falls after you deassert the rx_analogreset signal. This signal is asynchronous. Refer to Resetting Transceiver Channels in the <i>Intel Arria 10 Transceiver PHY User Guide</i> or the appropriate Intel Stratix 10 L- and H-Tile Transceiver PHY user guide. This signal is available in CPRI v7.0 IP cores that target an Intel Arria 10 device or an Intel Stratix 10 device. Your custom auto-rate negotiation logic can monitor this signal to determine when it can safely begin reconfiguring the device transceiver to a new CPRI line bit rate.

Related Information

- [Resetting Transceiver Channels section of the Intel Arria 10 Transceiver PHY User Guide](#)
Information about the tx_analogreset_ack and rx_analogreset_ack signals on Intel Arria 10 devices.
- [Resetting Transceiver Channels section of the Intel Stratix 10 L- and H-Tile Transceiver PHY User Guide](#)
Information about the tx_analogreset_ack and rx_analogreset_ack signals on Intel Stratix 10 devices.

3.19.3. Arria V, Arria V GZ, Cyclone V, and Stratix V Transceiver Reconfiguration Interface

This interface is available only if you turn on at least one of these parameters in the CPRI v7.0 parameter editor:

- **Enable line bit rate auto-negotiation**
- **Enable start-up sequence state machine**

Table 40. Arria V, Arria V GZ, Cyclone V, and Stratix V Transceiver Reconfiguration Interface Signals

All interface signals are clocked by the `reconfig_clk` clock.

Signal Name	Direction	Description
<code>reconfig_clk</code>	Input	Clock for CPRI v7.0 IP core transceiver start-up and reconfiguration. The frequency range for this clock is 100–150 MHz.
<code>reconfig_reset</code>	Input	Asynchronous active-high reset signal for transceiver start-up and reconfiguration. Used for rate switching and auto-rate negotiation.
<code>reconfig_to_xcvr[69:0]</code>	Input	Parallel transceiver reconfiguration bus from the Altera Transceiver Reconfiguration Controller to the transceiver in the CPRI v7.0 IP core.
<code>reconfig_from_xcvr[45:0]</code>	Output	Parallel transceiver reconfiguration bus to the Altera Transceiver Reconfiguration Controller from the transceiver in the CPRI v7.0 IP core.

Related Information

- [Adding the Transceiver Reconfiguration Controller](#) on page 29
- [V-Series Transceiver PHY IP Core User Guide](#)
Information about the Transceiver Reconfiguration Controller IP core.

3.19.4. Intel Arria 10 and Intel Stratix 10 Transceiver Reconfiguration Interface

If you turn on certain parameters in the CPRI v7.0 parameter editor, Intel provides a dedicated Avalon-MM interface, called the transceiver reconfiguration interface, to access the Intel Arria 10 or Intel Stratix 10 transceiver registers. You access the Native PHY IP core registers through this dedicated interface and not through the IP core general purpose control and status interface. This interface provides access to the hard PCS registers on the device.

The Avalon-MM interface implements a standard memory-mapped protocol. You can connect an Avalon master to this bus to access the registers of the embedded Native PHY IP core.

This interface is available only in variations that target an Intel Arria 10 or Intel Stratix 10 device, and only if you turn on at least one of these parameters in the CPRI v7.0 parameter editor:

- **Enable line bit rate auto-negotiation**
- **Enable start-up sequence state machine**
- **Enable ADME, transceiver capability, control and status registers access**
- **Enable single-trip delay calibration**



Table 41. CPRI v7.0 IP Core Transceiver Reconfiguration Interface Signals

The reconfig_clk clocks the signals on the CPRI v7.0 IP core transceiver reconfiguration interface.

Signal Name	Direction	Description
reconfig_clk	Input	Clocks the signals on the CPRI v7.0 transceiver reconfiguration interface. Supports frequency range 100–150 MHz.
reconfig_reset	Input	Asynchronous active-high reset signal. Resets the CPRI v7.0 transceiver reconfiguration interface and all of the registers to which it provides access.
reconfig_write	Input	You must assert this signal to request a write transfer.
reconfig_read	Input	You must assert this signal to request a read transfer.
reconfig_address[9:0]	Input	Address for reads and writes.
reconfig_writedata[31:0]	Input	Write data.
reconfig_readdata[31:0]	Output	Read data.
reconfig_waitrequest	Output	The interface is busy. Do not issue Avalon-MM commands to this interface while this signal is high.

Figure 56. Read Transaction on the Transceiver Reconfiguration Interface

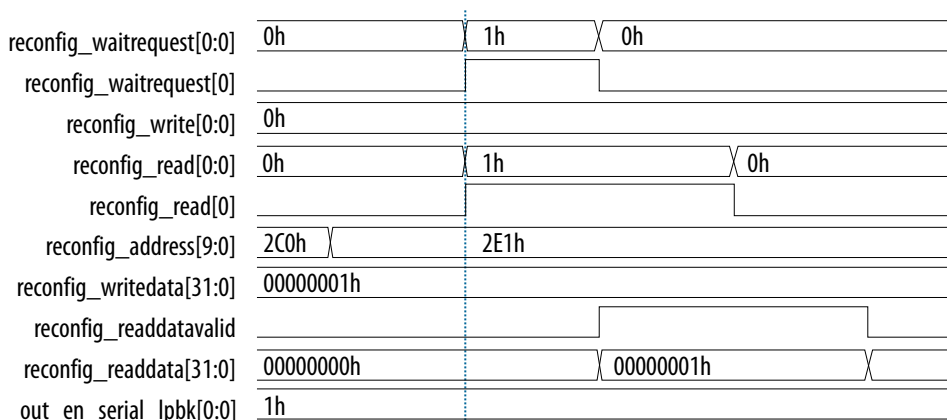
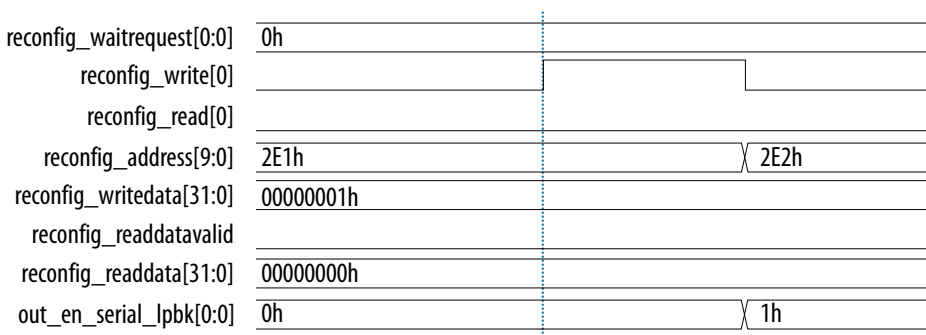


Figure 57. Write Transaction on the Transceiver Reconfiguration Interface





Related Information

- [Avalon Interface Specifications](#)
For more information about the Avalon-MM protocol, refer to the *Avalon Memory-Mapped Interfaces* chapter.
- [Intel Arria 10 Transceiver PHY User Guide](#)
Information about the Intel Arria 10 Native PHY IP core hard PCS registers that you can program through the transceiver reconfiguration interface.
- [Arria 10 Transceiver Registers](#)
Detailed information about the Intel Arria 10 transceiver registers.
- [Intel Stratix 10 L- and H-Tile Transceiver PHY User Guide](#)
Information about the Intel Stratix 10 Native PHY IP core hard PCS registers that you can program through the transceiver reconfiguration interface in your Intel Stratix 10 design that targets an Intel Stratix 10 device.

3.19.5. RS-FEC Interface

This interface is available when you generate IP core variation for Intel Stratix 10 device with 24.3 Gbps CPRI line bit rate.

Table 42. RS-FEC Interface Signals

Signal Name	Direction	Description
fec_align_status	Output	Indicates alignment of the data in the RS-FEC block.
fec_syn_restarted	Output	Indicates when data in RS-FEC block is not aligned.
fec_corrected_cw_inc	Output	Asserts high when FEC corrects the error detected.
fec_uncorrected_cw_inc	Output	Asserts high when FEC detects an uncorrectable error.
fec_restart_sync	Input	Synchronous active-high reset signal for RS-FEC. You can use this signal only when <code>fec_mode</code> is high, which do not support for CPRI FEC mode. Drive this signal low for not using.
fec_bypass_error_correction	Input	Synchronous active-high signal to bypass only RS-FEC block.
fec_bypass	Input	Synchronous active-high signal to bypass RS-FEC block and PN-5280 scrambler/descrambler.
fec_parallelpbken	Input	When this signal is logic high, the internal logic skips PMA and performs a parallel loopback after RS-FEC.
lat_bitslip [21:0]	Output	Indicates latency introduced by RX bitslip logic in soft PCS.



3.19.6. Interface to the External Reset Controller

Table 43. CPRI v7.0 IP Core External Reset Controller Interface Signals

The CPRI v7.0 IP core requires that you generate and connect at least one external transceiver reset controller.

Signal Name	Direction	Description
xcvr_tx_analogreset	Input	Analog reset to transmitter from external reset controller.
xcvr_tx_digitalreset	Input	Digital reset to transmitter from external reset controller.
xcvr_tx_cal_busy	Output	Indicates to external reset controller that the transmitter is still busy with the calibration process.
xcvr_rx_analogreset	Input	Analog reset to receiver from external reset controller.
xcvr_rx_digitalreset	Input	Digital reset to receiver from external reset controller.
xcvr_rx_cal_busy	Output	Indicates to external reset controller that the receiver is still busy with the calibration process.
xcvr_reset_tx_ready	Input	Indicates the Tx reset controller reset sequence is completed. When this signal is asserted, the IP core begins a reset of the IP core Tx path.
xcvr_reset_rx_ready	Input	Indicates the Rx reset controller reset sequence is completed. When this signal is asserted, the IP core begins a reset of the IP core Rx path.
xcvr_rx_analogreset_stat	Output	This signal is only available in Intel Stratix 10 device variations.
xcvr_rx_digitalreset_stat	Output	This signal is only available in Intel Stratix 10 device variations. This signal needs to be connected to reset controllers.
xcvr_tx_analogreset_stat	Output	This signal is only available in Intel Stratix 10 device variations. This signal needs to be connected to reset controllers.
xcvr_tx_digitalreset_stat	Output	This signal is only available in Intel Stratix 10 device variations. This signal needs to be connected to reset controllers.

Related Information

- [Adding the Reset Controller](#) on page 27
- [V-Series Transceiver PHY IP Core User Guide](#)
Information about the Altera Transceiver Reset Controller IP core for V-series devices.
- [Intel Arria 10 Transceiver PHY User Guide](#)
Information about the Transceiver Reset Controller IP core for Intel Arria 10 devices.
- [Intel Stratix 10 L- and H-Tile Transceiver PHY User Guide](#)
Information about the Intel Stratix 10 Transceiver Reset Controller IP core for Intel Stratix 10 devices.

3.19.7. Interface to the External PLL

Table 44. CPRI v7.0 IP Core External PLL Interface Signals

The CPRI v7.0 IP core requires that you generate and connect an external transceiver PLL IP core.

Signal Name	Direction	Description
xcvr_ext_pll_clk	Input	Clocks the transmitter PMA.



Signal Name	Direction	Description
		You should drive this input clock with the output of the external transceiver TX PLL. In Arria 10 devices, you have a choice of different TX PLL IP cores to configure. You must ensure that you configure a PLL IP core that is capable of driving the frequency that the CPRI v7.0 IP core requires to run at the specified CPRI line bit rate.

Related Information

- [Adding the Transceiver TX PLL IP Core](#) on page 25
- [V-Series Transceiver PHY IP Core User Guide](#)
Information about the V-Series device transceiver PLL IP cores.
- [Intel Arria 10 Transceiver PHY User Guide](#)
Information about the Arria 10 transceiver PLL IP cores.

3.19.8. Transceiver Debug Interface

Table 45. Transceiver Debug Interface Signals

The CPRI v7.0 IP core provides a `xcvr_rx_is_lockedtodata` status signal. If you turn on **Enable L1 debug interfaces** in the CPRI v7.0 parameter editor, the IP core provides some additional status signals from the transceiver.

All of the transceiver debug signals are asynchronous.

Signal Name	Direction	Description
<code>xcvr_rx_is_lockedtodata</code>	Output	Indicates that the receiver CDR is locked to the incoming serial data. This signal is available whether or not you turn on Enable L1 debug interfaces in the parameter editor.
<code>xcvr_rx_is_lockedtoref</code>	Output	Indicates that the receiver CDR is locked to the <code>xcvr_cdr_refclk</code> reference clock.
<code>xcvr_rx_errdetect[3:0]</code>	Output	Each bit [n] indicates the receiver has detected an 8B/10B code group violation in byte [n] of the 32-bit data word.
<code>xcvr_rx_disperr[3:0]</code>	Output	Each bit [n] indicates that the receiver has detected an 8B/10B parity error in byte [n] of the 32-bit data word.
<code>xcvr_rx_blk_sh_err</code>	Output	Indicates that the receiver has detected a 64B/66B SYNC_HEADER violation.

3.20. Testing Features

The CPRI v7.0 IP core supports multiple testing features.

3.20.1. CPRI v7.0 IP Core Loopback Modes

Figure 58. CPRI v7.0 IP Core Loopback Modes

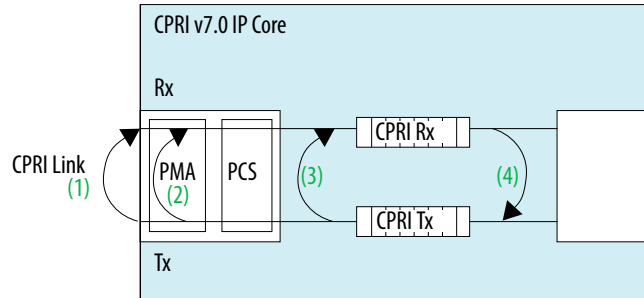


Table 46. Loopback Modes

Tag in Figure	Description	How to Configure
1	External loopback: Use this configuration to test the full Tx and Rx paths from an application through the CPRI link and back to the application.	Connect a CPRI REC master's CPRI Tx interface to its CPRI Rx interface by physically connecting the CPRI v7.0 IP core's high-speed transceiver output pins to its high-speed transceiver input pins. The connection medium must support the data rate requirements of the CPRI v7.0 IP core. For a CPRI RE slave, you must set <code>tx_enable_force</code> in <code>L1_CONFIG</code> .
2	Transceiver PMA serial forward loopback path is active.	Turn on Enable transceiver PMA serial forward loopback path in the parameter editor and set the <code>loop_forward</code> field of the <code>LOOPBACK</code> register to the value <code>2'b01</code> .
3	Active parallel loopback path does not exercise the transceiver.	Turn on Enable parallel forward loopback paths in the parameter editor and set the <code>loop_forward</code> field of the <code>LOOPBACK</code> register to the value <code>2'b10</code> (to include the stitching logic to the transceiver) or <code>2'b11</code> (to exclude the stitching logic to the transceiver).
4	Reverse loopback path is active.	Turn on Enable parallel reversed loopback paths in the parameter editor and set the <code>loop_reversed</code> field of the <code>LOOPBACK</code> register to a non-zero value. The register value specifies the parts of the CPRI frame that participate in the loopback path. Other parts of the CPRI frame are filled in from the local IP core.

Related Information

[LOOPBACK Register](#) on page 124

3.20.2. CPRI v7.0 IP Core Self-Synchronization Feature

Intel provides a self-synchronization testing feature that supports an RE slave in a CPRI link external loopback configuration. This feature is intended to work correctly only for Layer 1 testing.

By default, only an REC master can function correctly in a CPRI link external loopback configuration. An RE slave in external loopback configuration cannot achieve frame synchronization, because the CPRI RX interface must lock on to the K28.5 character before the CPRI TX interface can begin sending K28.5 characters. Therefore, no K28.5 character is ever transmitted on the RE slave loopback CPRI link.



However, in an RE slave CPRI v7.0 IP core you can specify that the CPRI TX interface begin sending K28.5 characters before the CPRI Rx interface locks on to the K28.5 character from the CPRI link. This feature supports a CPRI RE slave in achieving frame synchronization without being connected to a CPRI master, and allows you to test your CPRI RE slave without the need for an additional CPRI v7.0 IP core.

To turn on this feature, connect your CPRI RE slave in a CPRI link external loopback configuration, and set the `tx_enable_force` field of the `L1_CONFIG` register to the value of 1.

Related Information

[L1_CONFIG Register](#) on page 117

4. CPRI v7.0 IP Core Signals

The CPRI v7.0 IP core communicates with the surrounding design through multiple external signals. Many of the signal interfaces are optional; their presence or absence depends on whether or not you enable the corresponding interface in the CPRI v7.0 parameter editor.

In the case of the interfaces that provide direct access to all or part of the CPRI frame, write transmit delay relative to the AUX TX interface synchronization signals depends on the **Auxiliary and direct interfaces write latency cycle(s)** parameter setting.

4.1. CPRI v7.0 IP Core L2 Interface

The CPRI v7.0 IP core optionally communicates with an user-provided Ethernet MAC through the following signals.

Table 47. MII and GMII Signals

Each IP core has either MII signals, GMII signals, or neither.

Signal Name	Direction	Interface
mii_rxclk	Input	RX MII signals These signals are available only if you set the value of Ethernet PCS interface to MII in the CPRI v7.0 parameter editor.
mii_rxreset_n	Input	
mii_rxdv	Output	
mii_rxer	Output	
mii_rxd[3:0]	Output	
mii_txclk	Input	TX MII signals These signals are available only if you set the value of Ethernet PCS interface to MII in the CPRI v7.0 parameter editor.
mii_txreset_n	Input	
mii_txen	Input	
mii_txer	Input	
mii_txd[3:0]	Input	
mii_tx_fifo_status[3:0]	Output	MII status signals These signals are available only if you set the value of Ethernet PCS interface to MII in the CPRI v7.0 parameter editor.
mii_rx_fifo_status[3:0]	Output	
gmii_rxclk	Input	RX GMII signals These signals are available only if you set the value of Ethernet PCS interface to GMII in the CPRI v7.0 parameter editor.
gmii_rxreset_n	Input	
gmii_rxdv	Output	
gmii_rxer	Output	
gmii_rxd[7:0]	Output	

continued...

Intel Corporation. All rights reserved. Intel, the Intel logo, Altera, Arria, Cyclone, Enpirion, MAX, Nios, Quartus and Stratix words and logos are trademarks of Intel Corporation or its subsidiaries in the U.S. and/or other countries. Intel warrants performance of its FPGA and semiconductor products to current specifications in accordance with Intel's standard warranty, but reserves the right to make changes to any products and services at any time without notice. Intel assumes no responsibility or liability arising out of the application or use of any information, product, or service described herein except as expressly agreed to in writing by Intel. Intel customers are advised to obtain the latest version of device specifications before relying on any published information and before placing orders for products or services.

*Other names and brands may be claimed as the property of others.



Signal Name	Direction	Interface
gmi_i_txclk	Input	TX GMII signals These signals are available only if you set the value of Ethernet PCS interface to GMII in the CPRI v7.0 parameter editor.
gmi_i_txreset_n	Input	
gmi_i_txen	Input	
gmi_i_txer	Input	
gmi_i_txd[7:0]	Input	
gmi_i_txfifo_status[3:0]	Output	GMII status signals These signals are available only if you set the value of Ethernet PCS interface to GMII in the CPRI v7.0 parameter editor.
gmi_i_rxfifo_status[3:0]	Output	

Related Information

- [Media Independent Interface \(MII\) to External Ethernet Block](#) on page 74
Describes the MII signals and provides MII timing diagrams.
- [Gigabit Media Independent Interface \(GMII\) to External Ethernet Block](#) on page 76

4.2. CPRI v7.0 IP Core L1 Direct Access Interfaces

The CPRI v7.0 IP core can communicate with the surrounding design through multiple optional interfaces that provide direct access to all or part of the CPRI frame.

Table 48. L1 Direct Access Interface Signals

The **Data path width** parameter determines the interface type and width, where N= 32 or 64, C= 3 or 7, and D= 31 or 63.

Signal Name	Direction	Description	
auxN_rx_ctrl[C:0]	Output	AUX RX interface status signals These signals are available only if you turn on Enable auxiliary interface in the CPRI v7.0 parameter editor.	
auxN_rx_rfp	Output		
auxN_rx_hfp	Output		
auxN_rx_bfn[11:0]	Output		
auxN_rx_z[7:0]	Output		
auxN_rx_x[7:0]	Output		
auxN_rx_seq[6:0]	Output		
auxN_rx_data[D:0]	Output	AUX RX interface data signals These signals are available only if you turn on Enable auxiliary interface in the CPRI v7.0 parameter editor.	
auxN_rx_ctrl[C:0]	Output		
auxN_tx_sync_rfp	Input	AUX TX interface control and status signals These signals are available only if you turn on Enable auxiliary interface in the CPRI v7.0 parameter editor.	
auxN_tx_error	Output		
auxN_tx_ctrl[C:0]	Output		
auxN_tx_err[C:0]	Output		
auxN_tx_rfp	Output		
auxN_tx_hfp	Output		
auxN_tx_bfn[11:0]	Output		
<i>continued...</i>			

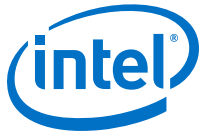
4. CPRI v7.0 IP Core Signals

UG-20008 | 2019.01.28



Signal Name	Direction	Description
auxN_tx_z[7:0]	Output	
auxN_tx_x[7:0]	Output	
auxN_tx_seq[6:0]	Output	
auxN_tx_data[D:0]	Input	AUX TX interface data signals These signals are available only if you turn on Enable auxiliary interface in the CPRI v7.0 parameter editor.
auxN_tx_mask[D:0]	Input	
auxN_tx_ctrl[C:0]	Output	
iqN_rx_valid[C:0]	Output	Direct IQ RX interface These signals are available only if you turn on Enable direct IQ mapping interface in the CPRI v7.0 parameter editor.
iqN_rx_data[D:0]	Output	
iqN_tx_ready[C:0]	Output	Direct IQ TX interface These signals are available only if you turn on Enable direct IQ mapping interface in the CPRI v7.0 parameter editor.
iqN_tx_valid[C:0]	Input	
iqN_tx_data[D:0]	Input	
ctrlN_axc_rx_valid[C:0]	Output	Direct Ctrl_AxC RX interface These signals are available only if you turn on Enable direct ctrl_axc access interface in the CPRI v7.0 parameter editor.
ctrlN_axc_rx_data[D:0]	Output	
ctrlN_axc_tx_ready[C:0]	Output	Direct Ctrl_AxC TX interface These signals are available only if you turn on Enable direct ctrl_axc access interface in the CPRI v7.0 parameter editor.
ctrl_axc_tx_valid[3:0]	Input	
ctrlN_axc_tx_data[D:0]	Input	
vsN_rx_valid[C:0]	Output	Direct VS RX interface These signals are available only if you turn on Enable direct vendor specific access interface in the CPRI v7.0 parameter editor.
vsN_rx_data[D:0]	Output	
vsN_tx_ready[C:0]	Output	Direct VS TX interface These signals are available only if you turn on Enable direct vendor specific access interface in the CPRI v7.0 parameter editor.
vsN_tx_valid[C:0]	Input	
vsN_tx_data[D:0]	Input	
rtvsN_rx_valid	Output	Direct RTVS RX interface These signals are available only if you turn on Enable direct real-time vendor specific interface in the CPRI v7.0 parameter editor.
rtvsN_rx_data[D:0]	Output	
rtvsN_tx_ready	Output	Direct RTVS TX interface These signals are available only if you turn on Enable direct real-time vendor specific interface in the CPRI v7.0 parameter editor.
rtvsN_tx_valid	Input	
rtvsN_tx_data[D:0]	Input	
hdlc_rx_valid	Output	Direct HDLC serial RX interface These signals are available only if you turn on Enable HDLC serial interface in the CPRI v7.0 parameter editor.
hdlc_rx_data	Output	
hdlc_tx_ready	Output	Direct HDLC serial TX interface These signals are available only if you turn on Enable HDLC serial interface in the CPRI v7.0 parameter editor.
hdlc_tx_valid	Input	
hdlc_tx_data	Input	
z130_local_lof	Output	Direct L1 control and status interface
z130_local_los	Output	

continued...



Signal Name	Direction	Description
z130_sdi_assert	Input	These signals are available only if you turn on Enable direct Z.130.0 alarm bits access interface in the CPRI v7.0 parameter editor.
z130_local_rai	Output	
z130_reset_assert	Input	
z130_remote_lof	Output	
z130_remote_los	Output	
z130_sdi_req	Output	
z130_remote_rai	Output	
z130_reset_req	Output	

Related Information

- [AUX Interface](#) on page 50
- [AUX Interface Signals](#) on page 51
- [Direct IQ Interface](#) on page 62
- [Ctrl_AxC Interface](#) on page 63
- [Direct Vendor Specific Access Interface](#) on page 65
- [Real-Time Vendor Specific Interface](#) on page 67
- [Direct HDLC Serial Interface](#) on page 69
- [Direct L1 Control and Status Interface](#) on page 70

4.3. CPRI v7.0 IP Core Management Interfaces

The CPRI v7.0 IP core provides multiple interfaces for managing the IP core and the properties of the CPRI link.

Table 49. CPRI v7.0 IP Core Management Signals

Signal Name	Direction	Description
cpri_clkout	Output	Main clock signals
cpri_coreclk	Input	
tx_clkout	Output	
reset_n	Input	Main reset signals
reset_rx_n	Input	
reset_tx_n	Input	
cpu_clk	Input	CPU interface
cpu_reset_n	Input	
cpu_address[15:0]	Input	
cpu_byteenable[3:0]	Input	
cpu_read	Input	
<i>continued...</i>		



Signal Name	Direction	Description
cpu_write	Input	
cpu_writedata[31:0]	Input	
cpu_readdata[31:0]	Output	
cpu_waitrequest	Output	
cpu_irq	Output	
state_startup_seq[2:0]	Output	Start-up sequence interface With the exception of the <code>state_ll_synch</code> signal, these signals are available only if you turn on Enable start-up sequence state machine in the CPRI v7.0 parameter editor.
state_ll_synch[2:0]	Output	
nego_bitrate_complete	Input	
nego_protocol_complete	Input	
nego_cm_complete	Input	
nego_vss_complete	Input	
nego_ll_timer_expired	Input	
nego_bitrate_in[5:0]	Input	Auto-rate negotiation control and status interface These signals are available only if you turn on Enable line bit rate auto-negotiation in the CPRI v7.0 parameter editor.
nego_bitrate_out[5:0]	Output	
ex_delay_clk	Input	Extended delay measurement interface
ex_delay_reset_n	Input	
latency_sclk	Input	Extended delay measurement interface signals that are available only in IP core variations that target an Intel Stratix 10 device.
latency_sreset_n	Input	
cal_status[1:0]	Input	Single-trip delay calibration interface This signals are available only if you turn on Enable single-trip delay calibration in the CPRI v7.0 parameter editor.
cal_ctrl[15:0]	Output	
rx_lcv	Output	L1 debug interface These signals are available only if you turn on Enable L1 debug interfaces in the CPRI v7.0 parameter editor.
rx_freq_alarm	Output	

Related Information

- [CPRI v7.0 IP Core Clocking Structure](#) on page 38
- [CPRI v7.0 IP Core Reset Requirements](#) on page 44
- [CPU Interface to CPRI v7.0 IP Core Registers](#) on page 78
- [CPU Interface Signals](#) on page 79
- [Start-Up Sequence Interface Signals](#) on page 49
- [Auto-Rate Negotiation](#) on page 85
- [Extended Delay Measurement](#) on page 85
- [Extended Delay Measurement Interface](#) on page 88
- [L1 Debug Interface](#) on page 73



4.4. CPRI v7.0 IP Core Transceiver and Transceiver Management Signals

The CPRI v7.0 IP core configures the interface to the CPRI serial link in an Intel FPGA device transceiver channel. The IP core provides multiple interfaces for managing the transceiver. The transceiver is configured with a Native PHY IP core and exposes many of its optional interfaces for ease of IP core integration in your design.

Table 50. Transceiver and Transceiver Management Signals

Signal Name	Direction	Description
xcvr_cdr_refclk	Input	Main transceiver clock and reset-done signals The tx_analogreset_ack and rx_analogreset_ack signals are available only in Intel Arria 10 and Intel Stratix 10 variations.
xcvr_recovered_clk	Output	
xcvr_reset_tx_done	Output	
xcvr_reset_rx_done	Output	
tx_analogreset_ack	Output	
rx_analogreset_ack	Output	
xcvr_rxdain	Input	CPRI link interface
xcvr_txdataout	Output	
xcvr_los	Input	
reconfig_clk	Input	28-nm device transceiver reconfiguration interface These signals are present only in IP core variations that target an Arria V, Arria V GZ, Cyclone V, or Stratix V device.
reconfig_to_xcvr[69:0]	Input	
reconfig_from_xcvr[45:0]	Output	
reconfig_clk	Input	Intel Arria 10 or Intel Stratix 10 transceiver reconfiguration interface These signals are present only in IP core variations that target an Intel Arria 10 or Intel Stratix 10 device.
reconfig_reset	Input	
reconfig_write	Input	
reconfig_read	Input	
reconfig_address[9:0]	Input	
reconfig_writedata[31:0]	Input	
reconfig_readdata[31:0]	Output	
reconfig_waitrequest	Output	
xcvr_tx_analogreset	Input	Interface to external reset controller
xcvr_tx_digitalreset	Input	
xcvr_tx_cal_busy	Output	
xcvr_rx_analogreset	Input	
xcvr_rx_digitalreset	Input	
xcvr_rx_cal_busy	Output	
xcvr_reset_tx_ready	Input	
xcvr_reset_rx_ready	Input	

continued...



Signal Name	Direction	Description
xcvr_rx_analogreset_stat ⁽²⁾	Output	
xcvr_rx_digitalreset_stat ⁽²⁾	Output	
xcvr_rx_analogreset_stat ⁽²⁾	Output	
xcvr_tx_digitalreset_stat ⁽²⁾	Output	
xcvr_ext_pll_clk	Input	Interface to external TX PLL
xcvr_rx_is_lockedtoata	Output	Transceiver debug interface
xcvr_rx_is_lockedtoaref	Output	Transceiver debug interface These signals are present only if you turn on Enable L1 debug interfaces in the CPRI v7.0 parameter editor.
xcvr_rx_errdetect[3:0]	Output	
xcvr_rx_disperr[3:0]	Output	
xcvr_rx_blk_sh_err	Output	

Related Information

- [Main Transceiver Clock and Reset Signals](#) on page 98
- [CPRI Link](#) on page 98
- [Arria V, Arria V GZ, Cyclone V, and Stratix V Transceiver Reconfiguration Interface](#) on page 99
- [Intel Arria 10 and Intel Stratix 10 Transceiver Reconfiguration Interface](#) on page 100
- [Interface to the External Reset Controller](#) on page 103
- [Interface to the External PLL](#) on page 103
- [Transceiver Debug Interface](#) on page 104

(2) These signals are present only in IP core variation that target an Intel Stratix 10 device.

5. CPRI v7.0 IP Core Registers

The CPRI v7.0 IP core internal registers are accessible using the CPU interface, an Avalon-MM interface which conforms to the *Avalon Interface Specifications*.

All of these registers are 32 bits wide and the addresses are shown as hexadecimal byte address values. The registers can be accessed on a 32-bit (4-byte) basis. The addressing for the registers therefore increments by units of 4.

Write access to a Reserved or undefined location has no effect. Read accesses to a Reserved or undefined location return an undefined result.

Table 51. Register Access Codes

Lists the access codes used to describe the type of register bits.

Code	Description
RW	Read / write
RO	Read only
RC	Read to clear
UR0	Reserved —undefined result on read, no effect on write

Table 52. Control and Status Register Map

Offset	Register Name	Function	Location of Additional Information
0x00	INTR	Interrupt Control and Status	INTR Register on page 116
0x04	L1_STATUS	Layer 1 Status	L1_STATUS Register on page 116
0x08	L1_CONFIG	Layer 1 Configuration	L1_CONFIG Register on page 117
0x0C	BIT_RATE_CONFIG	Bit Rate Configuration	BIT_RATE_CONFIG Register on page 118
0x10	PROT_VER	Protocol Version Control and Status	PROT_VER Register on page 118
0x14	TX_SCR	Transmitter Scrambler Control	TX_SCR Register on page 119
0x18	RX_SCR	Receiver Scrambler Status	RX_SCR Register on page 119
0x1C	CM_CONFIG	Layer 2 Control and Management Configuration	CM_CONFIG Register on page 119
0x20	CM_STATUS	Layer 2 Control and Management Status	CM_STATUS Register on page 120
0x24	START_UP_SEQ	Start-Up Sequence Control and Status	START_UP_SEQ Register on page 120
0x28	START_UP_TIMER	Start-Up Sequence Timer Control	START_UP_TIMER Register on page 121
<i>continued...</i>			



Offset	Register Name	Function	Location of Additional Information
0x2C	FLSAR	L1 Inband Z.130.0 Control and Status	FLSAR Register on page 122
0x30	CTRL_INDEX	Control Word Index	CTRL_INDEX Register on page 122
0x34	TX_CTRL	Transmit Control Word	TX_CTRL Register on page 123
0x38	RX_CTRL	Receive Control Word	RX_CTRL Register on page 123
0x3C	RX_ERR	Receiver Error Status	RX_ERR Register on page 124
0x40	RX_BFN	Recovered Radio Frame Counter	RX_BFN Register on page 124
0x44	LOOPBACK	Loopback Control	LOOPBACK Register on page 124
0x48	TX_DELAY	Transmit Buffer Delay Control and Status	TX_DELAY Register on page 125
0x4C	RX_DELAY	Receiver Buffer Delay Control and Status	RX_DELAY Register on page 126
0x50	TX_EX_DELAY	Transmit Buffer Extended Delay Measurement Control and Status	TX_EX_DELAY Register on page 126
0x54	RX_EX_DELAY	Receiver Buffer Extended Delay Measurement Status	RX_EX_DELAY Register on page 127
0x58	ROUND_TRIP_DELAY	Round Trip Delay	ROUND_TRIP_DELAY Register on page 127
0x5C	XCVR_BITSLIP	Transceiver Bit Slip Control and Status	XCVR_BITSLIP Register on page 127
0x60	DELAY_CAL_STD_CTRL1	Single-Trip Delay Calibration Control 1	DELAY_CAL_STD_CTRL1 Register on page 128
0x64	DELAY_CAL_STD_CTRL2	Single-Trip Delay Calibration Control 2	DELAY_CAL_STD_CTRL2 Register on page 129
0x68	DELAY_CAL_STD_CTRL3	Single-Trip Delay Calibration Control 3	DELAY_CAL_STD_CTRL3 Register on page 129
0x6C	DELAY_CAL_STD_CTRL4	Single-Trip Delay Calibration Control 4	DELAY_CAL_STD_CTRL4 Register on page 130
0x70	DELAY_CAL_STD_CTRL5	Single-Trip Delay Calibration Control 5	DELAY_CAL_STD_CTRL5 Register on page 130
0x74	DELAY_CAL_STD_STATUS	Single-Trip Delay Calibration Status	DELAY_CAL_STD_STATUS Register on page 131
0x80	DELAY_CAL_RTD	Round Trip Delay Calibration Control and Status	DELAY_CAL_RTD Register on page 131
0x84	XCVR_TX_FIFO_DELAY	Intel Stratix 10Transmitter FIFO Delay	XCVR_TX_FIFO_DELAY Register on page 132
0x88	XCVR_RX_FIFO_DELAY	Intel Stratix 10Receiver FIFO Delay	XCVR_RX_FIFO_DELAY Register on page 132

5.1. INTR Register

Table 53. CPRI v7.0 IP Core INTR Register at Offset 0x00

Bits	Field Name	Type	Value on Reset	Description
31:19	Reserved	UR0	13'b0	
18	intr_sdi_pending	RW	1'b0	Indicates a remote SDI detected interrupt is not yet serviced
17	intr_rai_pending	RW	1'b0	Indicates a remote RAI detected interrupt is not yet serviced
16	intr_reset_pending	RW	1'b0	Indicates a remote reset request or acknowledge interrupt is not yet serviced
15:3	Reserved	UR0	13'b0	
2	intr_sdi_en	RW	1'b0	Z.130.0 remote SDI detected interrupt enable
1	intr_rai_en	RW	1'b0	Z.130.0 remote RAI detected interrupt enable
0	intr_reset_en	RW	1'b0	Z.130.0 remote reset request or acknowledge received interrupt enable

5.2. L1_STATUS Register

Table 54. CPRI v7.0 IP Core L1_STATUS Register at Offset 0x04

Bits	Field Name	Type	Value on Reset	Description
31:13	Reserved	UR0	19'b0	
12	rx_rfp_hold	RC	1'b0	Radio frame pulse received. This bit is asserted every 10 ms and remains asserted until cleared by user logic. ⁽³⁾
11	rx_freq_alarm_hold	RC	1'b0	CPRI receive clock is not synchronous with main IP core clock (cpri_clkout). This alarm is asserted each time mismatches are found between the recovered CPRI receive clock and cpri_clkout, and remains asserted until cleared by user logic. ⁽³⁾ If you turn on Enable L1 debug interfaces in the CPRI v7.0 parameter editor, the original asynchronous pulse that sets this register field is visible on the rx_freq_alarm output signal. However, that signal is not available if you turn off Enable L1 debug interfaces .
10	rx_los_hold	RC	1'b0	Hold rx_los. ⁽³⁾
9	rx_err_hold	RC	1'b0	Hold rx_err. ⁽³⁾
8	rx_hfnsync_hold	RC	1'b0	Hold rx_hfnsync. ⁽³⁾

continued...

⁽³⁾ This register field is a read-to-clear field. You must read the register twice to read the true value of the field after frame synchronization is achieved. If you observe this bit asserted during link initialization, read the register again after link initialization to confirm any errors.



Bits	Field Name	Type	Value on Reset	Description
7:3	Reserved	UR0	5'b0	
2	rx_los	RC	1'b0	Indicates receiver is in LOS state.
1	rx_err	RC	1'b0	Indicates 8B10B LCV or 64B/66aB sync header violations detected.
0	rx_hfnsync	RC	1'b0	Indicates receiver has achieved hyperframe synchronization state (HFNSYNC).

5.3. L1_CONFIG Register

Table 55. CPRI v7.0 IP Core L1_CONFIG Register at Offset 0x08

Bits	Field Name	Type	Value on Reset	Description
31:4	Reserved	UR0	28'b0	
3	tx_ctrl_insert_en	RW	1'b0	Master enable for insertion of control transmit table entries in CPRI hyperframe. This signal enables control bytes for which the CTRL_INDEX register tx_control_insert bit is high to be written to the CPRI frame.
2	tx_enable_force	RW	1'b0	Specifies whether the RE slave self-synchronization testing feature is activated. If the feature is activated, the CPRI RE slave attempts to achieve link synchronization without a CPRI link connection to a CPRI master. Set this field to the value of 1 to enable the feature. The value of 1 is only valid if the CPRI IP core is configured as a CPRI slave.
1	synchronization_mode	RW	⁽⁴⁾	Specifies whether the CPRI v7.0 IP core is configured as a CPRI slave or a CPRI master, according to the following values: <ul style="list-style-type: none"> 1'b0: The IP core is configured as a CPRI master. 1'b1: The IP core is configured as a CPRI slave.
0	tx_enable	RW	1'b0	Enable transmission on CPRI link.

Related Information

- [Writing the Hyperframe Control Words](#) on page 83
- [CPRI v7.0 IP Core Self-Synchronization Feature](#) on page 105

⁽⁴⁾ Reset value is the value you specify for **Synchronization mode** in the CPRI v7.0 parameter editor.

5.4. BIT_RATE_CONFIG Register

Table 56. CPRI v7.0 IP Core BIT_RATE_CONFIG Register at Offset 0x0C

Bits	Field Name	Type	Value on Reset	Description
31:5	Reserved	UR0	27'b0	
4:0	bit_rate	(5)	(6)	<p>CPRI line bit rate to be used in next attempt to achieve frame synchronization, encoded according to the following valid values:</p> <ul style="list-style-type: none"> 6'b000001: 0.6144 Gbps 6'b000010: 1.2288 Gbps 6'b000100: 2.4576 Gbps 6'b000101: 3.0720 Gbps 6'b001000: 4.9150 Gbps 6'b001010: 6.1440 Gbps 6'b010110: 8.11008 Gbps 6'b010000: 9.8304 Gbps 6'b010100: 10.1376 Gbps 6'b011000: 12.16512 Gbps 6'b110000 : 24.33024 Gbps <p>If the input signal nego_bitrate_in has a non-zero value, the CPRI v7.0 IP core uses the encoded value driven on nego_bitrate_in in the next attempt to achieve frame synchronization, and ignores the value in the bit_rate register field.</p> <p>The value driven on the nego_bitrate_in signal, if it is non-zero, always overrides the value in this register field.</p>

Related Information

[Auto-Rate Negotiation](#) on page 85

5.5. PROT_VER Register

Table 57. CPRI v7.0 IP Core PROT_VER Register at Offset 0x10

Bits	Field Name	Type	Value on Reset	Description
31:25	Reserved	UR0	7'b0	
24	rx_prot_ver_valid	RO	1'b0	Value received in incoming Z.2.0 control byte is a valid CPRI v7.0 protocol version encoding.
23:16	rx_prot_ver	RO	8'b0	Encoded protocol version received in incoming Z.2.0 control byte.
15:10	Reserved	UR0	6'b0	
9	prot_ver_auto	RW	1'b1	Enables auto negotiation of protocol version.
		RO	1'b0	

continued...

(5) If you turn on **Enable line bit rate auto-negotiation**, this register field is a RW register field. If you turn off **Enable line bit rate auto-negotiation**, this register field is a RO register field.

(6) Reset value is the value you specify for **Line bit rate** in the CPRI v7.0 parameter editor.



Bits	Field Name	Type	Value on Reset	Description
				If you turn on Enable protocol version and C&M channel setting auto-negotiation , this field is a RW register field with the default value of 1. Otherwise, this field is a RO register field with the default value of 0.
8	rx_prot_ver_filter	RW	1'b1	Enable filtering or protection of the Z.2.0 value across five consecutive hyperframes. If you turn on Enable protocol version and C&M channel setting auto-negotiation , this field is a RW register field with the default value of 1. Otherwise, this field is a RO register field with the default value of 0.
		RO	1'b0	
7:0	tx_prot_ver	RW	8'b01	Transmit protocol version to be mapped to Z.2.0 to indicate whether or not the current hyperframe transmission is scrambled. The value 1 indicates it is not scrambled and the value 2 indicates it is scrambled. If the prot_ver_auto field has the value of 1, the IP core automatically updates the tx_prot_ver field.

5.6. TX_SCR Register

Table 58. CPRI v7.0 IP Core TX_SCR Register at Offset 0x14

Bits	Field Name	Type	Value on Reset	Description
31	Reserved	UR0	1'b0	
30:0	tx_scr_seed	RW	31'b0	Transmitter scrambler seed. If the seed has value 0, the transmission is not scrambled.

5.7. RX_SCR Register

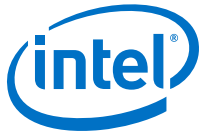
Table 59. CPRI v7.0 IP Core RX_SCR Register at Offset 0x18

Bits	Field Name	Type	Value on Reset	Description
31	rx_scr_active	RO	1'b0	Indicates that the incoming hyperframe is scrambled. The value 1 indicates that the incoming communication is scrambled, and the value 0 indicates that it is not scrambled. The IP core determines whether or not the incoming communication is scrambled based on the protocol version.
30:0	rx_scr_seed	RO	31'b0	Received scrambler seed. The receiver descrambles the incoming CPRI communication based on this seed.

5.8. CM_CONFIG Register

Table 60. CPRI v7.0 IP Core CM_CONFIG Register at Offset 0x1C

Bits	Field Name	Type	Value on Reset	Description
31:13	Reserved	UR0	19'b0	
12	slow_cm_rate_auto	RW	1'b1	Enable auto-negotiation of HDLC rate.
		RO	1'b0	If you turn on Enable protocol version and C&M channel setting auto-negotiation , this field is a RW register field with the default value of 1. Otherwise, this field is a RO register field with the default value of 0.
<i>continued...</i>				



Bits	Field Name	Type	Value on Reset	Description
11	slow_cm_rate_filter	RW	1'b1	Enable filtering of HDLC rate.
10:8	tx_slow_cm_rate	RW	3'b110	Rate configuration for slow Control and Management (HDLC). To be inserted in CPRI control byte Z.66.0.
7	fast_cm_ptr_auto	RW	1'b1	Enable auto-negotiation of Ethernet rate.
		RO	1'b0	If you turn on Enable protocol version and C&M channel setting auto-negotiation , this field is a RW register field with the default value of 1. Otherwise, this field is a RO register field with the default value of 0.
6	fast_cm_ptr_filter	RW	1'b1	Enable filtering of Ethernet rate.
5:0	tx_fast_cm_ptr	RW	6'd20	Pointer to first CPRI control word used for fast Control and Management (Ethernet). To be inserted in CPRI control byte Z.194.0.

5.9. CM_STATUS Register

Table 61. CPRI v7.0 IP Core CM_STATUS Register at Offset 0x20

Bits	Field Name	Type	Value on Reset	Description
31:12	Reserved	UR0	20'b0	
11	rx_slow_cm_rate_valid	RO	1'b0	Indicates that a valid HDLC rate has been accepted.
10:8	rx_slow_cm_rate	RO	3'b0	Accepted received HDLC rate. The IP core receives this rate in the incoming Z.66.0 control byte.
7	Reserved	UR0	1'b0	
6	rx_fast_cm_ptr_valid	RO	1'b0	Indicates that a valid Ethernet rate has been accepted. The IP core receives this rate in the incoming Z.194.0 control byte.
5:0	rx_fast_cm_ptr	RO	6'b0	Accepted received Ethernet rate. Valid values are between 0x14 (decimal 20) and 0x3F (decimal 63), inclusive.

5.10. START_UP_SEQ Register

Table 62. CPRI v7.0 IP Core START_UP_SEQ Register at Offset 0x24

This register is available only if you turn on **Enable start-up sequence state machine** in the CPRI v7.0 parameter editor.

Bits	Field Name	Type	Value on Reset	Description
31:17	Reserved	UR0	15'b0	
16	startup_timer_expired	RO	1'b0	Indicates that the internal L1 start-up timer is expired, based on the value of the startup_timer_period field of the START_UP_TIMER register.
15:11	Reserved	UR0	5'b0	

continued...



Bits	Field Name	Type	Value on Reset	Description
10:8	state_startup_seq	RO	3'b0	Indicates the current state of the start-up sequence. This field has the following valid values: <ul style="list-style-type: none"> 3'b000: State A: Standby 3'b001: State B: L1 Synchronization 3'b011: State C: Protocol Setup 3'b010: State D: Control and Management Setup 3'b110: State E: Interface and VSS Negotiation 3'b111: State F: Operation 3'b101: State G: Passive Link
7:4	Reserved	UR0	4'b0	
3	nego_vss_complete	RW	1'b0	Indicates the Vendor Specific negotiation is complete. You must set this bit to move the start-up sequence state machine from state E to state F. If you turn on Enable start-up sequence state machine , the nego_vss_complete input signal writes directly to this register bit.
2	nego_cm_complete	RW	1'b0	Indicates the Control and Management negotiation is complete and the start-up sequence state machine can move from state D to state E. If the slow_cm_rate_auto field or the fast_cm_ptr_auto field, or both, in the CM_CONFIG register has the value of 1, the IP core updates this bit if the user does not update it. If you turn on Enable start-up sequence state machine , the nego_cm_complete input signal writes directly to this register bit. <i>Note:</i> If the Control and Management negotiation cannot complete successfully, per Figure 30 in the CPRI specification v7.0 (2013-08-30), the start-up sequence state machine moves from state D to state G. In that case the IP core does not set the nego_cm_complete bit, and the state_startup_seq field reflects the state change.
1	nego_protocol_complete	RW	1'b0	Indicates the protocol version negotiation is complete and the start-up sequence state machine can move from state C to state D. If the prot_ver_auto field of the PROT_VER register has the value of 1, the IP core updates this bit if the user does not update it. If you turn on Enable start-up sequence state machine , the nego_protocol_complete input signal writes directly to this register bit.
0	nego_bitrate_complete	RW	1'b0	Indicates the CPRI line bit rate negotiation is complete. If you turn on Enable start-up sequence state machine , the nego_bitrate_complete input signal writes directly to this register bit.

5.11. START_UP_TIMER Register

Table 63. CPRI v7.0 IP Core START_UP_TIMER Register at Offset 0x28

This register is available only if you turn on **Enable start-up sequence state machine** in the CPRI v7.0 parameter editor.

Bits	Field Name	Type	Value on Reset	Description
31:20	Reserved	UR0	12'b0	
19:0	startup_timer_period	RW	20'b0	Threshold value for L1 start-up timer to expire. The unit is cpri_coreclk clock cycles.

5.12. FLSAR Register

Table 64. CPRI v7.0 IP Core FLSAR Register at Offset 0x2C

The FLSAR register is the L1 inband control word Z.130.0 control and status register.

Bits	Field Name	Type	Value on Reset	Description
31	Reserved	UR0	1'b0	
30	local_lof	RO	1'b0	Local loss of frame (LOF) detected
29	local_los	RO	1'b0	Local loss of signal (LOS) detected
28	lof_detected	RO	1'b0	Remote LOF detected
27	los_detected	RO	1'b0	Remote LOS detected
26	sdi_detected	RO	1'b0	Remote service access point (SAP) defect indication (SDI) detected.
25	rai_detected	RO	1'b0	Remote alarm indication (RAI) detected.
24	reset_detected	RO	1'b0	Reset request or acknowledgement detected.
23:17	Reserved	UR0	7'b0	
16	sdi_gen	RW	1'b0	Enable Z.130.0 SDI generation.
15:9	Reserved	UR0	7'b0	
8	rai_gen	RW	1'b1	Enable Z.130.0 RAI generation as a result of local loss of signal (LOS) or loss of frame (LOF).
7:1	Reserved	UR0	7'b0	
0	reset_gen	RW	1'b0	Enable Z.130.0 reset generation.

Related Information

[Direct L1 Control and Status Interface](#) on page 70

5.13. CTRL_INDEX Register

Table 65. CPRI v7.0 IP Core CTRL_INDEX Register at Offset 0x30

Frequency differences between the control and status interface clock `cpu_clk` and the main CPRI v7.0 IP core clock `cpri_clkout` might cause non-zero read latency and more than one clock cycle of write latency when accessing this register.

Bits	Field Name	Type	Value on Reset	Description
31:27	Reserved	UR0	5'b0	
26:24	rx_ctrl_seq	RW	3'b0	Sequence number for CPRI control word 32-bit section monitoring. The value in this field determines the 32-bit section of the control receive table entry that appears in the <code>RX_CTRL</code> register. The value indicates whether this is the first, second, third, fourth, or fifth (for RTVS) 32-bit section in the control word.

continued...



Bits	Field Name	Type	Value on Reset	Description
23:16	rx_ctrl_x	RW	8'b0	Index for CPRI control word monitoring (X value in frame location #Z.X.Y). The value in this field determines the control receive table entry of which a 32-bit section appears in the RX_CTRL register.
15:12	Reserved	UR0	4'b0	
11	tx_ctrl_insert	RW	1'b0	Control word 32-bit section transmit enable. This value is stored in the control transmit table with its associated entry. When you change the value of the tx_ctrl_seq field or the tx_ctrl_x field, the stored tx_ctrl_insert bit associated with the indexed entry appears in the tx_ctrl_insert field. At the time the CPRI v7.0 IP core can insert a control transmit table entry in the associated position in the outgoing hyperframe on the CPRI link, if the tx_ctrl_insert bit associated with that entry has the value of 1, and the tx_ctrl_insert_en bit of the L1_CONFIG register is asserted, the IP core inserts the table entry in the hyperframe.
10:8	tx_ctrl_seq	RW	3'b0	Sequence number for CPRI control word 32-bit section insertion. The value in this field determines the 32-bit section of the control transmit table entry that appears in the TX_CTRL register. The value indicates whether this is the first, second, third, fourth, or fifth (for RTVS) 32-bit section in the control word.
7:0	tx_ctrl_x	RW	8'b0	Index for CPRI control word insertion (X value in frame location #Z.X.Y). The value in this field determines the control transmit table entry of which a 32-bit section appears in the TX_CTRL register.

5.14. TX_CTRL Register

Table 66. CPRI v7.0 IP Core TX_CTRL Register at Offset 0x34

Frequency differences between the control and status interface clock `cpu_clk` and the main CPRI v7.0 IP core clock `cpri_clkout` might cause non-zero read latency and more than one clock cycle of write latency when accessing this register.

Bits	Field Name	Type	Value on Reset	Description
31:0	tx_ctrl_data	RW	32'b0	CPRI control word 32-bit section to be transmitted in CPRI hyperframe position Z.x, where x is the index in the tx_ctrl_x field of the CTRL_INDEX register. The tx_ctrl_seq field of the CTRL_INDEX register indicates whether this is the first, second, third, fourth, or fifth such 32-bit section.

5.15. RX_CTRL Register

Table 67. CPRI v7.0 IP Core RX_CTRL Register at Offset 0x38

Frequency differences between the control and status interface clock `cpu_clk` and the main CPRI v7.0 IP core clock `cpri_clkout` might cause non-zero read latency and more than one clock cycle of write latency when accessing this register.

Bits	Field Name	Type	Value on Reset	Description
31:0	rx_ctrl_data	RO	32'b0	Most recent received CPRI control word 32-bit section from CPRI hyperframe position Z.x, where x is the index in the rx_ctrl_x field of the CTRL_INDEX register. The rx_ctrl_seq field of the CTRL_INDEX register indicates whether this is the first, second, third, fourth, or fifth such 32-bit section.

5.16. RX_ERR Register

Table 68. CPRI v7.0 IP Core RX_ERR Register at Offset 0x3C

Bits	Field Name	Type	Value on Reset	Description
31:16	Reserved	UR0	16'b0	
15:8	sh_err	RC	8'b0	Number of 64B/66B sync header violations detected in the transceiver. Enables CPRI link debugging. This register turns over to the value of 0 when it increments from the value of 255.
7:0	lcv	RC	8'b0	Number of line code violations (LCVs) detected in the 8B/10B decoding block in the transceiver. Enables CPRI link debugging. This register turns over to the value of 0 when it increments from the value of 255. This counter includes LCVs that occur during initialization.

5.17. RX_BFN Register

Table 69. CPRI v7.0 IP Core RX_BFN Register at Offset 0x40

Bits	Field Name	Type	Value on Reset	Description
31:12	Reserved	UR0	20'b0	
11:0	bfm	RO	12'b0	Current BFN number.

5.18. LOOPBACK Register

Table 70. CPRI v7.0 IP Core LOOPBACK Register at Offset 0x44

Bits	Field Name	Type	Value on Reset	Description
31:11	Reserved	UR0	21'b0	
10:8	loop_reversed	RW	3'b0	Testing reverse loopback mode. If you turn on Enable parallel reversed loopback paths in the CPRI v7.0 parameter editor, this register field specifies the parts of the CPRI frame that are sent on the reverse loopback path. If you do not turn on this parameter, you should leave this register field at its default value of 3'b0. For standard testing, you would turn on these loopback modes in a CPRI RE slave only.

continued...



Bits	Field Name	Type	Value on Reset	Description
				<p>This field has the following valid values:</p> <ul style="list-style-type: none"> 3'b000: No loopback. 3'b001: Full CPRI frame loopback. Incoming CPR data and control words are sent back as-is in outgoing CPR communication. 3'b010: I/Q data loopback. Incoming CPRI data are sent back in outgoing CPRI communication; control words are generated locally. 3'b011: Fast control and management loopback. Incoming CPRI fast control and management (Ethernet) control and data words are sent back in outgoing CPRI communication; remaining data and control words are generated locally. 3'b100: Fast control and management and VS loopback. Incoming CPRI fast control and management (Ethernet) and vendor-specific control words are sent back in outgoing CPRI communication; data and remaining control words are generated locally.
7:2	Reserved	UR0	6'b0	
1:0	loop_forward	RW	2'b0	<p>Testing forward loopback mode. If you turn on Enable transceiver PMA serial forward loopback path or Enable parallel forward loopback paths in the CPRI v7.0 parameter editor, this register field specifies the loopback path that is currently active. If you do not turn on either of these parameters, you should leave this register field at its default value of 2'b0. This field has the following valid values:</p> <ul style="list-style-type: none"> 2'b00: No loopback. 2'b01: Transceiver PMA loopback path is active. This path does not exercise the transceiver PCS. This option is available only if you turn on Enable transceiver PMA serial forward loopback path. 2'b10: Active loopback path includes extended delay measurement logic but does not exercise the transceiver. This option is available only if you turn on Enable parallel forward loopback paths. 2'b11: Active loopback path includes framing and deframing logic, but does not exercise the extended delay measurement logic and does not exercise the transceiver. This option is available only if you turn on Enable parallel forward loopback paths.

Related Information

CPRI v7.0 IP Core Loopback Modes on page 105

5.19. TX_DELAY Register

Table 71. CPRI v7.0 IP Core TX_DELAY Register at Offset 0x48

Bits	Field Name	Type	Value on Reset	Description
31:9	Reserved	UR0	23'b0	
8	tx_buf_resync	RW	1'b0	<p>Force transmit buffer pointer resynchronization. You can use this register field to resynchronize if, for example, the buffer fill level becomes too high due to environmental impacts on the device, such as temperature. Resynchronizing might lead to data loss or corruption.</p> <p>Do not use this register field to resynchronize after a dynamic CPRI line bit rate change. After a dynamic CPRI line bit rate change the IP core forces resynchronization internally without referring to this register.</p>
7:4	Reserved	UR0	4'b0	
3:0	tx_buf_delay	RO	4'b0	Current transmit buffer fill level.

Related Information

[Tx Path Delay](#) on page 91

5.20. RX_DELAY Register

Table 72. CPRI v7.0 IP Core RX_DELAY Register at Offset 0x4C

Bits	Field Name	Type	Value on Reset	Description
31:25	Reserved	UR0	7'b0	
24	rx_buf_resync	RW	1'b0	Force receive buffer pointer resynchronization. You can use this register field to resynchronize if, for example, the buffer fill level becomes too high due to environmental impacts on the device, such as temperature. Resynchronizing might lead to data loss or corruption. Do not use this register field to resynchronize after a dynamic CPRI line bit rate change. After a dynamic CPRI line bit rate change the IP core forces resynchronization internally without referring to this register.
23:17	Reserved	UR0	7'b0	
16	rx_byte_delay	RO	1'b0	Current byte-alignment delay. This field is relevant for the Rx path delay calculation.
15:RX_BUF_DEPTH	Reserved	UR0	0	
(RX_BUF_DEPTH-1):0	rx_buf_delay	RO	0	Current receive buffer fill level. Unit is 32-bit words. Maximum value is $2^{RX_BUF_DEPTH-1}$.

Related Information

[Rx Path Delay](#) on page 90

5.21. TX_EX_DELAY Register

Table 73. CPRI v7.0 IP Core TX_EX_DELAY Register at Offset 0x50

Bits	Field Name	Type	Value on Reset	Description
31:24	tx_msrm_period	RW	8'b0	Integration period for Tx buffer extended delay measurement. Program this field with the user-defined value N, where $M/N = ex_delay_clk\ period / cpri_clkout\ period$.
23	tx_ex_delay_valid	RC	1'b0	Indicates that the tx_ex_delay field has been updated.
22:16	Reserved	UR0	7'b0	
15:0	tx_ex_delay	RO	16'b0	Tx buffer extended delay measurement result. Unit is cpri_clkout clock periods.

Related Information

- [Extended Delay Measurement](#) on page 85
- [Extended Delay Measurement Interface](#) on page 88



5.22. RX_EX_DELAY Register

Table 74. CPRI v7.0 IP Core IRX_EX_DELAY Register at Offset 0x54

Bits	Field Name	Type	Value on Reset	Description
31:24	rx_msrm_period	RW	8'b0	Integration period for Rx buffer extended delay measurement. Program this field with the user-defined value N_R , where $M/N_R = \text{ex_delay_clk period} / \text{cpri_clkout period}$.
23	rx_ex_delay_valid	RC	1'b0	Indicates that the rx_ex_delay field has been updated.
22:RX_BUF_DEPTH	Reserved	UR0	0	
(RX_BUF_DEPTH-1):0	rx_ex_delay	RO	0	Rx buffer extended delay measurement result. Unit is cpri_clkout clock periods.

Related Information

- [Extended Delay Measurement](#) on page 85
- [Extended Delay Measurement Interface](#) on page 88

5.23. ROUND_TRIP_DELAY Register

Table 75. CPRI v7.0 IP Core ROUND_TRIP_DELAY Register at Offset 0x58

Bits	Field Name	Type	Value on Reset	Description
31:20	Reserved	UR0	12'b0	
19:0	round_trip_delay	RO	20'b0	Measured round-trip delay from aux_tx_rfp to aux_rx_rfp. Unit is cpri_clkout clock periods. The IP core updates this field with every radio frame.

Related Information

[Round-Trip Delay](#) on page 92

5.24. XCVR_BITSLIP Register

Table 76. CPRI v7.0 IP Core XCVR_BITSLIP Register at Offset 0x5C

Bits	Field Name	Type	Value on Reset	Description
31:21	Reserved	UR0	11'b0	
20:16	rx_bitslip_out	RO	5'b0	Number of bits of delay (bit-slip) detected at the receiver word-aligner. Value can change at frame synchronization, when the transceiver is resetting. Any K28.5 symbol position change that occurs when word alignment is activated changes the bit-slip value.

continued...

Bits	Field Name	Type	Value on Reset	Description
15:6	Reserved	UR0	10'b0	
5	tx_bitslip_en	RW	1'b0	Enable manual tx_bitslip_in updates.
4:0	tx_bitslip_in	RW	5'b0	Number of bits of delay (bitslip) the CPRI v7.0 IP core adds at the CPRI Tx link. The CPRI line bit rate determines the following maximum values for this field: <ul style="list-style-type: none"> Maximum value for IP core variations with CPRI line bit rate 0.6144 Gbps: 9 bits. Maximum value for IP core variations with CPRI line bit rate greater than 0.6144 Gbps: 19 bits.

Related Information

Tx Bitslip Delay on page 97

5.25. DELAY_CAL_STD_CTRL1 Register

Table 77. CPRI v7.0 IP Core DELAY_CAL_STD_CTRL1 Register at Offset 0x60

This register is available only in CPRI IP cores with the single-trip delay calibration feature.

Bits	Field Name	Type	Value on Reset	Description
31:17	Reserved	UR0	15'b0	
16	cal_reset	RW	1'b0	Reset single-trip delay calibration. Set this bit to the value of 1 to reset the IP core single-trip delay calibration module and the Intel-provided DPCU module that you have connected to the IP core. Reset this bit to the value of 0 to resume the normal functionality of these two modules. Setting this bit to the value of 1 resets all of the single-trip delay calibration logic. This reset does not affect the values in the DELAY_CAL_STD_CTRL _n registers. However, the reset does override the value in the cal_int_check field.
15:9	Reserved	UR0	7'b0	
8	cal_int_check	RW	1'b0	Enable single-trip delay consistency checking. If you set this bit to the value of 1, the IP core checks once per hyperframe that the sum of the cal_step_delay and cal_cycle_delay field values in the DELAY_CAL_STD_CTRL ₂ register match the cal_current_delay field value in the DELAY_CAL_STD_STATUS register. If they do not match, the IP core triggers recalibration. If you set this bit to the value of 0, the IP core performs a consistency check only when you set the cal_en bit. If cal_int_check has the value of 0, the user can schedule consistency checks by resetting and setting the cal_en bit.
7:1	Reserved	UR0	7'b0	
0	cal_en	RW	1'b0	Enable single-trip delay calibration. Set this bit to the value of 1 to activate single-trip delay calibration. Reset this bit to the value of 0 to turn off single-trip delay calibration.



5.26. DELAY_CAL_STD_CTRL2 Register

Table 78. CPRI v7.0 IP Core DELAY_CAL_STD_CTRL2 Register at Offset 0x64

This register is available only in CPRI slave IP cores with the single-trip delay calibration feature.

The user provides this information to specify the anticipated or desired duration of the total variable component of the single-trip delay. This value reflects the system requirements.

Bits	Field Name	Type	Value on Reset	Description
31:25	Reserved	UR0	7'b0	
24:16	cal_step_delay	RW	9'b0	Additional fractional cpri_clkout clock cycles of delay in step units.
15:8	Reserved	UR0	8'b0	
7:0	cal_cycle_delay	RW	8'b0	Delay in full cpri_clkout clock cycles.

5.27. DELAY_CAL_STD_CTRL3 Register

Table 79. CPRI v7.0 IP Core DELAY_CAL_STD_CTRL3 Register at Offset 0x68

This register is available only in CPRI master IP cores with the single-trip delay calibration feature.

Bits	Field Name	Type	Value on Reset	Description
31:17	Reserved	UR0	15'b0	
16	cal_send_en	RW	1'b0	Enable a CPRI master IP core to include TX delay information in outgoing CPRI communication. Software must specify the location of this information in the transmitted radio frame by writing the location information in the cal_send_seq and cal_send_x fields.
15	Reserved	UR0	1'b0	
14:8	cal_send_seq	RW	7'b0	In a CPRI master IP core, specifies the sequence number in the outgoing basic frame that is the location of the TX delay information the IP core provides to the receiving CPRI slave. <i>Note:</i> If the CPRI slave that receives CPRI communication from this IP core on the CPRI link is an Intel FPGA CPRI v7.0 IP core, the value in this field must be identical to the value in the cal_rcv_seq field of the DELAY_CAL_STD_CTRL4 register in that CPRI slave.
7:0	cal_send_x	RW	8'b0	In a CPRI master IP core, specifies the basic frame number in the incoming hyperframe that is the location of the TX delay information the IP core provides to the receiving CPRI slave. <i>Note:</i> If the CPRI slave that receives CPRI communication from this IP core on the CPRI link is an Intel FPGA CPRI v7.0 IP core, the value in this field must be identical to the value in the cal_rcv_x field of the DELAY_CAL_STD_CTRL4 register in that CPRI slave.

5.28. DELAY_CAL_STD_CTRL4 Register

Table 80. CPRI v7.0 IP Core DELAY_CAL_STD_CTRL4 Register at Offset 0x6C

This register is available only in CPRI slave IP cores with the single-trip delay calibration feature.

Bits	Field Name	Type	Value on Reset	Description
31:17	Reserved	UR0	15'b0	
16	cal_rcv_en	RW	1'b0	Enable a CPRI slave IP core to receive TX delay information in incoming CPRI communication. Software must specify the location of this information in the incoming radio frame by writing the location information in the cal_rcv_seq and cal_rcv_x fields. The cal_tx_delay_usr_en field of the DELAY_CAL_STD_CTRL5 register overrides this register field.
15	Reserved	UR0	1'b0	
14:8	cal_rcv_seq	RW	7'b0	In a CPRI slave IP core, specifies the sequence number in the incoming basic frame that is the location of the TX delay information provided by the transmitting CPRI master. <i>Note:</i> If the CPRI master that transmits to this IP core on the CPRI link is an Intel FPGA CPRI v7.0 IP core, the value in this field must be identical to the value in the cal_send_seq field of the DELAY_CAL_STD_CTRL3 register in that CPRI master.
7:0	cal_rcv_x	RW	8'b0	In a CPRI slave IP core, specifies the basic frame number in the incoming hyperframe that is the location of the TX delay information provided by the transmitting CPRI master. <i>Note:</i> If the CPRI master that transmits to this IP core on the CPRI link is an Intel FPGA CPRI v7.0 IP core, the value in this field must be identical to the value in the cal_send_x field of the DELAY_CAL_STD_CTRL3 register in that CPRI master.

5.29. DELAY_CAL_STD_CTRL5 Register

Table 81. CPRI v7.0 IP Core DELAY_CAL_STD_CTRL5 Register at Offset 0x70

This register is available only in CPRI slave IP cores with the single-trip delay calibration feature.

Bits	Field Name	Type	Value on Reset	Description
31:17	Reserved	UR0	15'b0	
16	cal_tx_delay_usr_en	RW	1'b0	Enable a CPRI slave IP core to receive TX delay information in the cal_tx_delay_usr field. When the value of this field is 1, the IP core cannot receive TX delay information in incoming CPRI communication.
15:12	Reserved	UR0	4'b0	
11:0	cal_tx_delay_usr	RW	12'b0	TX delay value provided by software. This field is valid only when the cal_tx_delay_usr_en field has the value of 1. Unit is clk_ex_delay clock cycles.



5.30. DELAY_CAL_STD_STATUS Register

Table 82. CPRI v7.0 IP Core DELAY_CAL_STD_STATUS Register at Offset 0x74

This register is available only in CPRI slave IP cores with the single-trip delay calibration feature.

Bits	Field Name	Type	Value on Reset	Description
31:16	Reserved	UR0	16'b0	
15:0	cal_current_delay	RO	16'b0	Variable delay from the synchronization service access point (SAP) in the CPRI link master to the synchronization SAP in this CPRI v7.0 slave IP core. Unit is clk_ex_delay clock cycles. The IP core calculates this value. The Intel-provided single-trip delay calibration modules use this value to determine the values they write to the cal_step_delay and cal_cycle_delay fields of the IP core's DELAY_CAL_STD_CTRL2 register.

5.31. DELAY_CAL_RTD Register

Table 83. CPRI v7.0 IP Core DELAY_CAL_RTD Register at Offset 0x80

This register is available only in CPRI master IP cores with the single-trip delay calibration feature.

Bits	Field Name	Type	Value on Reset	Description
31:30	Reserved	UR0	2'b0	
29:28	cal_rtd_status	RW	2'b0	Round trip delay calibration status. Valid values are: <ul style="list-style-type: none"> 00: Calibration is turned off. 01: Calibration is running. 11: Error: IP core is unable to meet the calibration requirement. 10: Calibration has completed or is in the monitoring stage.
27	Reserved	UR0	1'b0	
26:24	cal_rtd_ctrl	RW	3'b0	Round trip delay calibration control. Valid values are one-hot: <ul style="list-style-type: none"> Bit [26]: Active high reset bit that resets the calibration block. Use this bit to reset the calibration block after an error or to re-enable the calibration block to take it out of bypass mode. Bit [25]: Enable or disable calibration block bypass mode. When the value of this bit is 1, round trip delay calibration is in bypass mode. When the value of this bit is 0, round trip delay calibration is not in bypass mode. Bit [24]: Enable or disable round trip delay calibration. When the value of this bit is 1, round trip delay calibration is turned on. When the value of this bit is 0, round trip delay calibration is turned off.
23:20	Reserved	UR0	4'b0	
19:0	cal_rtd_user	RW	20'b0	Desired round-trip delay value. Unit is cpri_clkout cycles.

5.32. XCVR_TX_FIFO_DELAY Register

Table 84. CPRI v7.0 IP Core XCVR_TX_FIFO_DELAY Register at Offset 0x84

This register is present only in IP core variations that target an Intel Stratix 10 device.

Bits	Field Name	Type	Value on Reset	Description
31	tx_pcs_fifo_delay_valid	RO	1'b0	Indicates that the <code>tx_pcs_fifo_delay</code> field has been updated.
30:25	Reserved	UR0	6'b0	
24:16	tx_pcs_fifo_delay	RO	9'b0	Delay count value for the transmitter PCS FIFO. Unit is multiples of 128/latency_sclk clock cycles (no units). In other words, the latency through the FIFO is $\langle latency_sclk\ period \rangle \times \langle this\ field\ value: delay\ count \rangle / 128$.
15	tx_core_fifo_delay_valid	RO	1'b0	Indicates that the <code>tx_core_fifo_delay</code> field has been updated.
14:9	Reserved	UR0	6'b0	
8:0	tx_core_fifo_delay	RO	9'b0	Delay count value for the transmitter core FIFO. Unit is multiples of 128/latency_sclk clock cycles (no units). In other words, the latency through the FIFO is $\langle latency_sclk\ period \rangle \times \langle this\ field\ value: delay\ count \rangle / 128$.

5.33. XCVR_RX_FIFO_DELAY Register

Table 85. CPRI v7.0 IP Core XCVR_RX_FIFO_DELAY Register at Offset 0x88

This register is present only in IP core variations that target an Intel Stratix 10 device.

Bits	Field Name	Type	Value on Reset	Description
31	rx_pcs_fifo_delay_valid	RO	1'b0	Indicates that the <code>rx_pcs_fifo_delay</code> field has been updated.
30:25	Reserved	UR0	6'b0	
24:16	rx_pcs_fifo_delay	RO	9'b0	Delay count value for the receiver PCS FIFO. Unit is multiples of 128/latency_sclk clock cycles (no units). In other words, the latency through the FIFO is $\langle latency_sclk\ period \rangle \times \langle this\ field\ value: delay\ count \rangle / 128$.
15	rx_core_fifo_delay_valid	RO	1'b0	Indicates that the <code>rx_core_fifo_delay</code> field has been updated.
14:9	Reserved	UR0	6'b0	
8:0	rx_core_fifo_delay	RO	9'b0	Delay count value for the receiver core FIFO. Unit is multiples of 128/latency_sclk clock cycles (no units). In other words, the latency through the FIFO is $\langle latency_sclk\ period \rangle \times \langle this\ field\ value: delay\ count \rangle / 128$.

A. Additional Information

A.1. CPRI v7.0 IP Core User Guide Archives

If an IP core version is not listed, the user guide for the previous IP core version applies.

IP Core Version	User Guide
17.0	CPRI v6.0 IP Core User Guide
16.0	CPRI v7.0 MegaCore Function User Guide 16.0
15.0	CPRI v7.0 MegaCore Function User Guide 15.0
14.0 and 14.0 Arria 10 Edition	CPRI v7.0 MegaCore Function User Guide 14.0 and 14.0 Arria 10 Edition

A.2. Document Revision History for the CPRI v7.0 IP Core User Guide

Document Version	Intel Quartus Prime Version	Changes
2019.01.28	17.1	<ul style="list-style-type: none"> Added support for Intel Stratix 10 devices with H- and L-tile transceivers. Intel Stratix 10 device support is now available in 17.1 Intel Quartus Prime Pro Edition software. Added Intel Stratix 10 device family support for new CPRI line bit rates of 12.16512 and 24.33024 Gbps. Updated release information and resource utilization numbers for the 17.1 software release. Added new parameter Data path width in <i>Table: General CPRI v7.0 IP Core Parameters</i>. Added new hybrid core clock source input. Enable line bit rate auto-negotiation parameter is now available for Intel Stratix 10 and Intel Arria 10 devices. Modified <i>Running the Testbench</i> section. Added <code>cpri_clkout</code> frequency value for 12.16512 and 24.33024 Gbps CPRI line rates. Clarified the value of <code>xcvr_recovered_clk</code> for different CPRI line bit rates. Added new diagrams <i>Figure: CPRI v7.0 Master IP Core in Internal Clocking Mode</i> and <i>Figure: CPRI v7.0 Slave IP Core in Internal Clocking Mode</i>. Modified the width of the signal <code>auxN_rx_seq[6:0]</code>. Changed the encoding values for all the CPRI line rates. Modified signal names in following sections: <ul style="list-style-type: none"> <i>AUX Interface</i> <i>Direct IQ Interface</i> <i>ctrl_AxC Interface</i> <i>Direct Vendor Specific Access Interface</i> <i>Real-Time Vendor Specific Interface</i>

Intel Corporation. All rights reserved. Intel, the Intel logo, Altera, Arria, Cyclone, Enpirion, MAX, Nios, Quartus and Stratix words and logos are trademarks of Intel Corporation or its subsidiaries in the U.S. and/or other countries. Intel warrants performance of its FPGA and semiconductor products to current specifications in accordance with Intel's standard warranty, but reserves the right to make changes to any products and services at any time without notice. Intel assumes no responsibility or liability arising out of the application or use of any information, product, or service described herein except as expressly agreed to in writing by Intel. Intel customers are advised to obtain the latest version of device specifications before relying on any published information and before placing orders for products or services.

*Other names and brands may be claimed as the property of others.



Table 86. Document Revision History

Date	Compatible ACDS Version	Changes
2018.01.04	17.0 IR3, 17.0, 17.0 Update 1, and 17.0 Update 2	<ul style="list-style-type: none"> • Updated for the 17.0 software release, including Intel rebranding. Refer to Installation and Licensing on page 12, Generating CPRI v7.0 IP Cores on page 13, and CPRI v7.0 IP Core File Structure on page 14. • Added Stratix 10 device family support for CPRI line bit rates of 1.2288 Gbps through 10.1376 Gbps. Because Stratix 10 device support is not available in the Intel Quartus Prime Pro Edition releases v17.0, v17.0 Update 1, and v17.0 Update 2, this version of the IP core provides Stratix 10 device support only in the Intel Quartus Prime Pro Edition software v17.0 IR3. Auto-rate negotiation and simplex modes are not yet available for CPRI IP core variations that target a Stratix 10 device. • Updated speed grade support table in CPRI v7.0 IP Core Performance: Device and Transceiver Speed Grade Support on page 8. <ul style="list-style-type: none"> — Added Stratix 10 support. — Added previously missing speed grade information for Arria V GZ devices at CPRI line rate 9.8304 Gbps. — Removed Arria 10 support for the CPRI line rate of 0.6144 Gbps. In the 17.0.260 release, the IP core no longer supports the CPRI line rate of 0.6144 Gbps for Arria 10 devices. — Corrected entries for Arria V GT and Cyclone V GT devices. The previous entries listed speed grades that do not exist for these devices. • Updated IP core parameters. Refer to CPRI v7.0 IP Core Parameters on page 17. <ul style="list-style-type: none"> — Updated default value of Line bit rate parameter. Intel Arria 10 and Intel Stratix 10 devices do not support the CPRI line bit rate of 0.6144 Gbps. The new default value is the lowest CPRI line bit rate the target device family supports: 1228.8 Mbps for Intel Arria 10 and Intel Stratix 10 device families; 614.4 Mbps (as before) for all other supported device families. — Specified the Intel Stratix 10 device family supports only TX/RX Duplex operation mode in the 17.0.260 release. — Moved Core clock source input parameter before Transmitter local clock division factor parameter. — Specified that IP core variations that target an Intel Arria 10 or Intel Stratix 10 device, with Line bit rate set to the value of 4915.2 Mbps or lower, support only the value of 1 for the Transmitter local clock division factor parameter. This change is new in the 17.0.260 release. — Specified that IP core variations that target a device family other than the Stratix V device family, support only the value of 1 for the Number of receiver CDR reference clock(s) parameter. — Added new VCCR_GXB and VCCT_GXB supply voltage for the transceiver parameter. This parameter affects the IP core only if it targets an Intel Stratix 10 device. — Specified the Recovered clock source parameter is not available for Intel Arria 10 and Intel Stratix 10 devices. IP cores that target either of these device families, support only a PCS clock source for the <code>xcvr_recovered_clk</code>. — Specified the Enable single-trip delay calibration parameter is only available for Intel Arria 10 devices. — Specified the Enable line bit rate auto-negotiation parameter is not available for IP core variations that target an Intel Stratix 10 device. • Added information about extended delay measurement for new Stratix 10 hard FIFOs. Refer to Extended Delay Measurement on page 85 and the new section Extended Delay Measurement for Intel Stratix 10 Hard FIFOs on page 87. The new feature adds the following new parameters and registers: <ul style="list-style-type: none"> — Two new registers, <code>XCVR_TX_FIFO_DELAY</code> and <code>XCVR_RX_FIFO_DELAY</code>. Refer to XCVR_TX_FIFO_DELAY Register on page 132 and XCVR_RX_FIFO_DELAY Register on page 132. — Two new signals, <code>latency_sclk</code> and <code>latency_sreset_n</code>. Refer to CPRI v7.0 IP Core Clocking Structure on page 38, CPRI v7.0 IP Core Reset Requirements on page 44, and Extended Delay Measurement Interface on page 88.

continued...



Date	Compatible ACDS Version	Changes
		<ul style="list-style-type: none"> • Added new <code>local_lof</code>, <code>local_los</code>, <code>lof_detected</code>, and <code>los_detected</code> fields to the FLSAR register at offset 0x2C. This addition is new in the 16.1.275 release of the IP core. Added relevant information to descriptions of associated direct L1 control and status interface signals. Refer to FLSAR Register on page 122 and to Direct L1 Control and Status Interface on page 70. • Added new section to clarify the conditions for transitions out of State G in the start-up sequence state machine. Refer to Start-Up Sequence Following Reset on page 47. • Renamed the old <i>Start-Up Sequence Following Reset</i> section to Start-Up Sequence Interface Signals on page 49. Corrected waveform in this section. • Added example waveforms for CPU interface and transceiver reconfiguration interface. Refer to CPU Interface Signals on page 79 and Intel Arria 10 and Intel Stratix 10 Transceiver Reconfiguration Interface on page 100. • Added Ctrl_AxC Interface on page 63 section to document the signals and behavior on this interface. This information was previously missing. • Added L1 Debug Interface on page 73 section to document the signals on this interface. This information was previously missing. • Corrected statement that the transceiver debug signals are available if you turn on Enable debug interface in the CPRI IP core parameter editor. The name of the parameter is Enable L1 debug interfaces. • Corrected TX MII timing diagram in Media Independent Interface (MII) to External Ethernet Block on page 74 by removing extraneous HALT symbol (/F/). • Clarified that external Ethernet block must assert the <code>mii_txen</code> signal two cycles before it presents valid data on <code>mii_txd[3:0]</code>, to allow the IP core to insert the /J/ and /K/ nibbles in outgoing CPRI communication to indicate start-of-packet. Refer to Media Independent Interface (MII) to External Ethernet Block on page 74. • Corrected GMII example waveforms in Gigabit Media Independent Interface (GMII) to External Ethernet Block on page 76. Control symbol is /V/ not /FE/, and the value of the symbol is 0x0E, not 0xFE. Also corrected text in section where appropriate. • Corrected rows for register <code>DELAY_CAL_STD_CTRL2</code> and below in Control and Status Register Map table in CPRI v7.0 IP Core Registers on page 114. Offsets for these registers were already correct in sections for individual registers, but were listed incorrectly in the Control and Status Register Map table. • Clarified that the value in the <code>startup_timer_period</code> field of the <code>START_UP_TIMER</code> register at offset 0x28 is the number of <code>cpri_coreclk</code> clock cycles to the threshold. Refer to START_UP_TIMER Register on page 121. • Clarified that the value of the <code>cal_rtd_ctrl</code> field in the <code>DELAY_CAL_RTD</code> register at offset 0x80 is one-hot encoded. • Clarified origin of accepted HDLC and Ethernet rates. Refer to CM_STATUS Register on page 120. • Clarified that when the <code>cal_tx_delay_usr_en</code> field of the <code>DELAY_CAL_STD_CTRL5</code> register at offset 0x70 has the value of 1, this value overrides the <code>cal_rcv_en</code> field in the <code>DELAY_CAL_STD_CTRL4</code> register at offset 0x6C. Refer to DELAY_CAL_STD_CTRL4 Register on page 130 and DELAY_CAL_STD_CTRL5 Register on page 130. • Filled in field names for <code>tx_ctrl_seq</code> and <code>tx_ctrl_x</code> fields of <code>CTRL_INDEX</code> register at offset 0x30, which were previously missing. Refer to CTRL_INDEX Register on page 122. • Corrected direction of <code>rx_ready</code> and <code>tx_ready</code> output signals from reset controller. Refer to Adding the Reset Controller on page 27. • Added Compiling the Full Design and Programming the FPGA on page 35 section in <i>Getting Started</i> chapter. This section provides the location of the Synopsys Design Constraints file (.sdc) generated with the IP core. • Removed <i>How to Contact</i> and <i>Typographic Conventions</i> sections. • Removed <i>Differences Between CPRI IP Core and CPRI IP Core</i> appendix. The CPRI IP core is not available for recent versions of the Intel Quartus Prime software.

continued...



Date	Compatible ACDS Version	Changes
		<ul style="list-style-type: none"> Removed <i>Installation and Licensing Features</i> section, which described the OpenCore Plus feature. Because the CPRI IP core is available from the SSLC only with a license, this feature is not relevant. Added new section with links to older published versions of this user guide. If a correction was published for the same software version, only the corrected version is available. Refer to CPRI v7.0 IP Core User Guide Archives on page 133. Fixed assorted typos and minor errors.
2016.07.22	16.0	<ul style="list-style-type: none"> Updated for 16.0 software release. Updated release information and resource utilization numbers for the 16.0 software release. Updated speed grade support table in <i>CPRI IP Core Performance: Device and Transceiver Speed Grade Support</i>. Added Arria 10 and Stratix V device family support for CPRI line bit rate of 8.11008 Gbps. This IP core change occurred in the CPRI IP core release 15.1.258. Removed Arria 10 device family support for CPRI line bit rate of 0.6144 Gbps. This IP core change occurred in the CPRI IP core release 15.1.313. Added support for single-trip delay calibration. This IP core change is new in the CPRI IP core release 16.0. <ul style="list-style-type: none"> Added new parameters Core clock source input and Enable single-trip delay calibration. Refer to <i>CPRI IP Core Parameters and Running the Testbench</i>. Added new clocking structure, new IOPLL and DPCU blocks, and new top-level signal tx_clkout. Refer to <i>CPRI IP Core Clocking Structure, CPRI IP Core Management Interfaces, Adding the Off-Chip Clean-Up PLL</i>, and new section <i>Example CPRI Clock Connections in Different Clocking Modes</i>. Added new IP core signals cal_status[1:0] and cal_ctrl[15:0]. Refer to <i>Adding and Connecting the Single-Trip Delay Calibration Blocks and Single-Trip Latency Measurement and Calibration Interface Signals</i>. Added new registers DELAY_CAL_STD_CTRL1, DELAY_CAL_STD_CTRL2, DELAY_CAL_STD_CTRL3, DELAY_CAL_STD_CTRL4, DELAY_CAL_STD_CTRL5, and DELAY_CAL_STD_STATUS. Refer to <i>CPRI IP Core Registers</i>. Added description of new features in new sections <i>Delay Calibration Features</i> and <i>Single-trip Delay Calibration</i>. Added support for round-trip latency calibration. This IP core change is new in the CPRI IP core release 16.0. <ul style="list-style-type: none"> Added new parameters Enable round-trip delay calibration and Round-trip delay calibration FIFO depth. Refer to <i>CPRI IP Core Parameters and Running the Testbench</i>. Added new register DELAY_CAL_RTD. Refer to <i>DELAY_CAL_RTD Register</i>. Added description of new features in new section <i>Round-Trip Delay Calibration</i>. Added parameters to control Avalon-MM CPU interface addressing mode and to enable ADME support. Refer to <i>CPRI IP Core Parameters</i>. This IP core change occurred in the CPRI IP core release 15.1.258. <ul style="list-style-type: none"> Previously the CPU interface addressing mode was always word (4-byte) addressing mode. For CPU interface addressing mode changes, refer to <i>CPU Interface to CPRI IP Core Registers</i> and <i>CPU Interface Signals</i>. You can turn on ADME support to support debugging through the Altera System Console and to expose transceiver registers. This parameter is available only in CPRI IP cores that target an Arria 10 device. For additional information about this parameter, refer to <i>Arria 10 Transceiver Reconfiguration Interface</i>. The transceiver reconfiguration interface is no longer available in certain configurations of the CPRI IP core. Refer to <i>CPRI IP Core Parameters, Arria V, Arria V GZ, Cyclone V, and Stratix V Transceiver Reconfiguration Interface and Arria 10 Transceiver Reconfiguration Interface</i>. This IP core change occurred in the CPRI IP core release 15.1.258. The xcvr_rx_is_lockedto data signal is now available whether or not you turn on Enable debug interface in the parameter editor. Refer to <i>Transceiver Debug Interface and CPRI IP Core Transceiver and Transceiver Management Signals</i>. This IP core change is new in the CPRI IP core release 16.0.

continued...



Date	Compatible ACDS Version	Changes
		<ul style="list-style-type: none"> • Expanded width of <code>round_trip_delay</code> field in <code>ROUND_TRIP_DELAY</code> register from 10 bits to 20 bits. Refer to <i>ROUND_TRIP_DELAY Register</i>. This IP core change occurred in the CPRI IP core release 15.1.313. • Added new top-level signals <code>tx_analogreset_ack</code> and <code>rx_analogreset_ack</code>. These signals are available in Arria 10 variations with Enable line bit rate auto-negotiation turned on. Refer to <i>Auto-Rate Negotiation</i> and <i>CPRI IP Core Management Interfaces</i>. This IP core change occurred in the CPRI IP core release 15.1.258. • Changed name of <code>cpri_10g_coreclk</code> input clock signal to <code>cpri_coreclk</code>. Refer to <i>CPRI IP Core Clocking Structure</i> and <i>CPRI IP Core Management Interfaces</i>. This IP core change occurred in the CPRI IP core release 15.1.258. • Removed <code>xcvr_reset_tx</code> and <code>xcvr_reset_rx</code> signals. Refer to <i>Adding the Reset Controller</i> and <i>CPRI IP Core Transceiver and Transceiver Management Signals</i>. • Specified the Recovered clock source parameter is no longer available for CPRI master IP cores. This IP core change is new in the CPRI IP core release 16.0. • Specified the <code>xcvr_recovered_clk</code> output clock is available only in CPRI slave IP cores. Refer to <i>CPRI IP Core Clocking Structure</i> and <i>Main Transceiver Clock and Reset Signals</i>. This IP core change occurred in the CPRI IP core release 15.1.258. • Corrected direction of multiple Transceiver Reset Controller signals in Required Connections to and From Reset Controllers in CPRI Design table in <i>Adding the Reset Controller</i>. • Fixed assorted typos and minor errors.
2015.09.29	15.0	<ul style="list-style-type: none"> • Corrected RX GMII Timing Diagram figure. Refer to <i>Gigabit Media Independent Interface (GMII) to External Ethernet Block</i>. • Clarified that the limitation of the testbench to CPRI line bit rates other than 614.4 Mbps only applies for Arria 10 devices. All other device families support a testbench for a DUT with the CPRI line bit rate of 614.4 Mbps. Refer to <i>Running the Testbench</i>.
2015.09.25	15.0	<ul style="list-style-type: none"> • Changed document part number from UG-01156 to UG-20008. The document title is not affected. • Added support for Arria V GT, Arria V GX, Cyclone V GT, and Cyclone V GX devices. • Updated for 15.0 software release. Updated release information and resource utilization numbers for the 15.0 software release. • Modified device speed grade recommendations: <ul style="list-style-type: none"> — Added supported transceiver speed grade information. — Added device and transceiver speed grade support information for the previously unsupported device families. • Added support for new GMII interface to external Ethernet block. Refer to <i>Gigabit Media Independent Interface (GMII) to External Ethernet Block</i>. • Expanded <i>Deterministic Latency and Delay Measurement and Calibration</i> section. Removed latency numbers and examples, which are now available on the Altera wiki.

continued...



Date	Compatible ACDS Version	Changes
		<ul style="list-style-type: none"> • Updated IP core parameters. Refer to <i>CPRI IP Core Parameters</i>. <ul style="list-style-type: none"> – Added new Operation mode parameter. This parameter determines whether the IP core is in TX simplex, RX simplex, or duplex mode. Note the old Operation mode parameter from previous releases is renamed . – Renamed the old Operation mode parameter to Synchronization mode. This parameter determines the default clocking mode of the IP core (Master or Slave clocking mode). Unfortunately, the <code>operation_mode</code> field of the <code>LI_CONFIG</code> register is not renamed. This field supports dynamic reconfiguration of the IP core clocking mode. Refer to <i>L1_CONFIG Register</i>. – Added new Transmitter local clock division factor parameter. This parameter enables you to include multiple instances of the CPRI IP core with different CPRI line bit rates using the same external transceiver TX PLL. – Added new Number of receiver CDR reference clock(s) parameter. This parameter supports Stratix V variations in auto-negotiation to or from the CPRI line bit rate of 10.1376 Gbps. – Added new Recovered clock source parameter. This parameter supports auto-negotiation in Stratix V variations to or from the CPRI line bit rate of 10.1376 Gbps. – Changed name of Bit rate (Mbit/s) parameter to Line bit rate (MBit/s). Enhanced description to include new supported devices. – Changed name of Supported receiver CDR frequency (MHz) parameter to Receiver CDR reference clock frequency (MHz). – Changed name of Receiver FIFO depth parameter to Receiver soft buffer depth. – Changed name of Enable auto-rate negotiation parameter to Enable line bit rate auto-negotiation. – Changed name of Enable auto-rate negotiation down to 614.4 Mbps parameter to Enable line bit rate auto-negotiation down to 614.4 Mbps. – Changed name of Supported CPU interface standard parameter to Management (CSR) interface standard. – Changed name of Auxiliary latency cycle(s) parameter to Auxiliary and direct interfaces write latency cycle(s). – Changed name of Enable all control word access parameter to Enable all control word access via management interface. – Changed name of Enable Z.130.0 access interface parameter to Enable direct Z.130.0 alarm bits access interface. – Changed name of Enable real-time vendor specific interface (R-16A) parameter to Enable direct real-time vendor specific interface . – Changed name of Enable L1 inband protocol negotiator parameter to Enable protocol version and C&M channel setting auto-negotiation. – Changed order of some L1 Feature parameters to reflect their new order in the CPRI parameter editor. – Changed name of Enable direct HDLC serial interface parameter to Enable HDLC serial interface. – Changed name of Enable IEEE 802.3 100BASE-X 100Mbps MII On/Off parameter to Ethernet PCS interface multi-value parameter, and added new parameter value GMII. The On/Off parameter supported the values "None" and "MII", which are still available. – Added allowed value of 11 for L2 Ethernet PCS Tx/Rx FIFO depth parameter, increasing the maximum L2 Ethernet buffer depth to 2048. – Changed names of loopback-enable parameters to include "serial" or "parallel." • Appended "_n" to names of active low reset signals. • Modified recommended reset connections and added four new IP core reset signals: <code>reset_tx_n</code>, <code>reset_rx_n</code>, <code>xcvr_reset_tx</code>, and <code>xcvr_reset_rx</code>. • Fixed assorted typos and minor errors.

continued...



Date	Compatible ACDS Version	Changes
2015.02.16	14.0 and 14.0 Arria 10 Edition	<ul style="list-style-type: none"> • Corrected name of ROUND_TRIP_DELAY register at offset 0x058. The register name was previously listed incorrectly as ROUND_DELAY. • Corrected names of rx_hfnsync and rx_hfnsync_hold fields of L1_STATUS register at offset 0x04. The fields were previously listed incorrectly as rx_state and rx_state_hold. • Fixed assorted typos. <p><i>Note:</i> This version of the user guide documents the same IP core version that the 2014.08.18 user guide documents.</p>
2014.08.18	14.0 and 14.0 Arria 10 Edition	<p>Initial release for Arria 10 device support. Corrected multiple figures associated with the AUX interface synchronization signals and the Auxiliary latency cycle(s) parameter. Added discussion of external clean-up PLL in Getting Started chapter. Added multiple sections to Functional Description chapter, including section on latency. Added resource utilization numbers. Moved detailed signal descriptions into relevant sections in Functional Description chapter; the Signals chapter is now a port listing summary. Corrected assorted errors and typos.</p>
2014.07.28	14.0	Preliminary restricted document release.