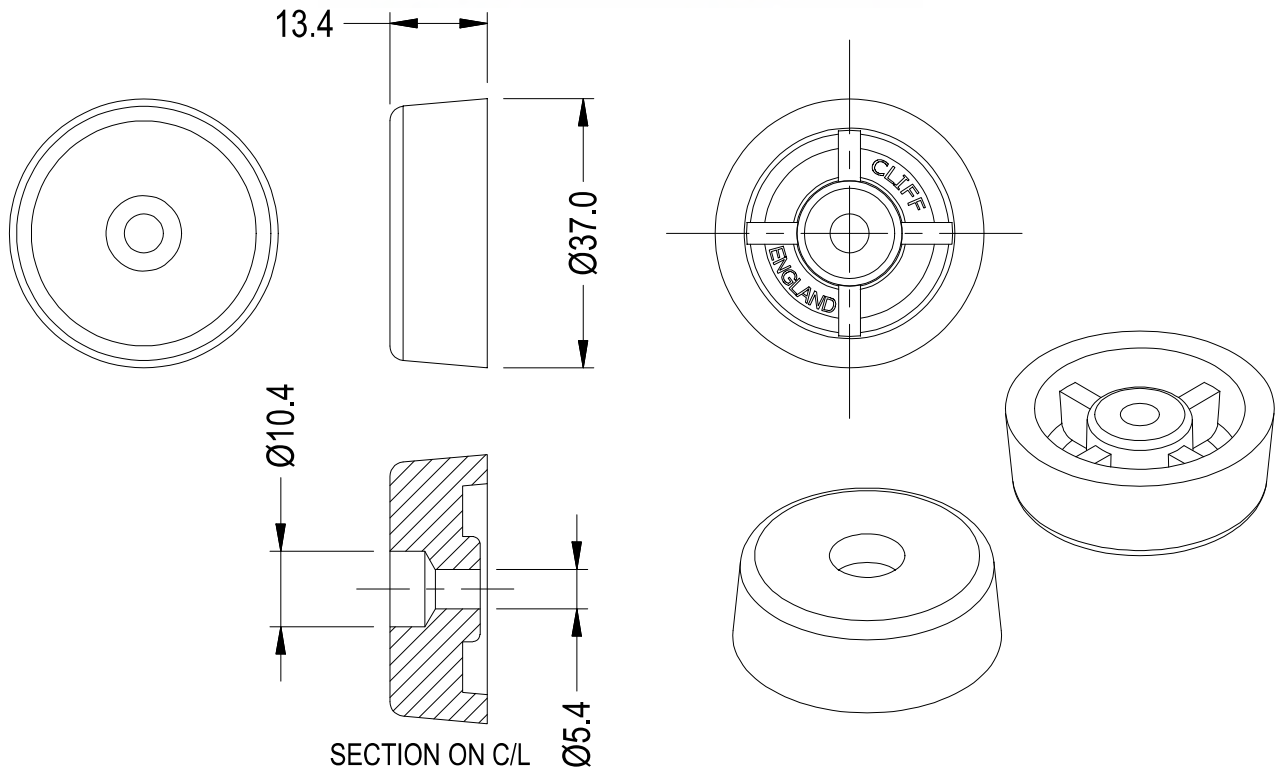
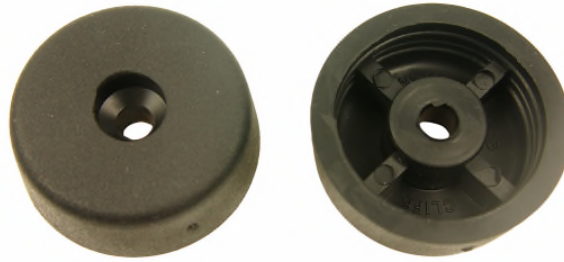


CLIFF

CABINET FEET



VARIANTS

CL1914 PF-1 Moulded plastic foot. Tough and durable. Fixing is by wood screw size number 8 or 10. The standard colour is black.

CL19145 PF-1GFN Special, heat-resisting version used for laboratory equipment.

CL1916 RF-1 Same as PF-1 but made from synthetic rubber, for non-slip applications.