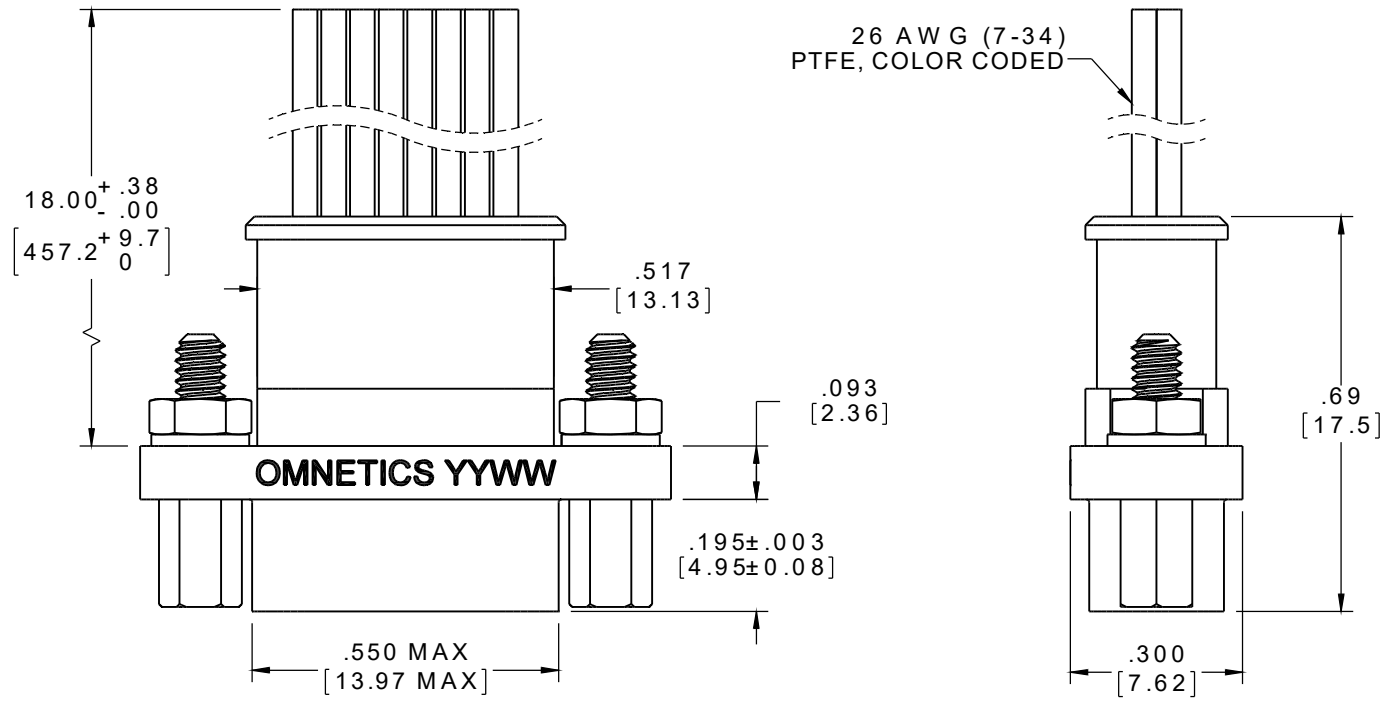


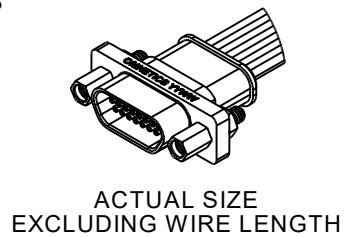
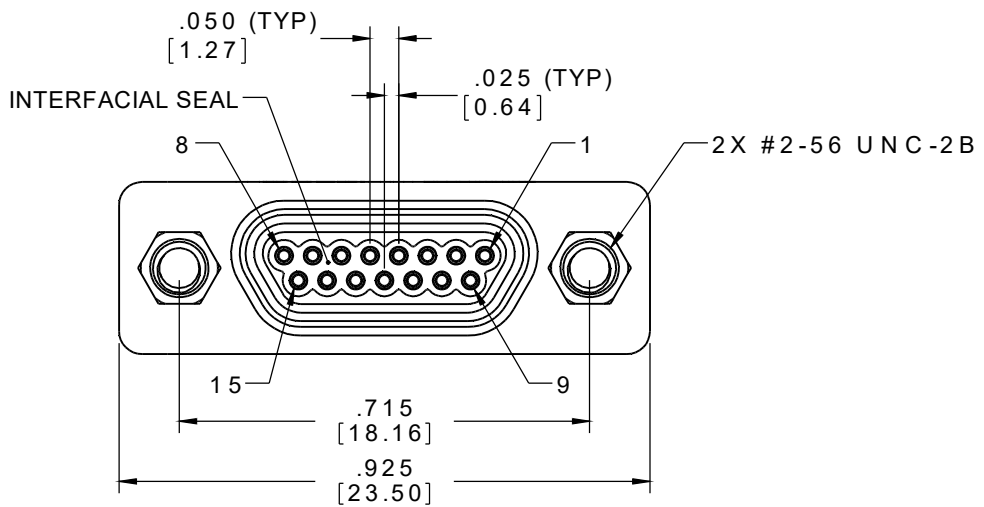
PART NO.	A99279-015	REV	ECO	DATE	APP
		A	102791	08-09-16	HV

MATERIALS

- HOUSING:**
ALUMINUM 6061-T6, NICKEL PLATE PER SAE-AMS-2404
- INSULATOR:**
LIQUID CRYSTAL POLYMER (LCP) PER ASTM D5138
- CONTACT:**
COPPER ALLOY PER MIL-DTL-83513, GOLD PLATED PER ASTM B488, (HARD GOLD) TYPE II CODE C CLASS 1.27
- WIRE:**
NEMA HP3 TYPE E, COLOR CODED IAW MIL-STD-681, SYSTEM 1, USING TEN SOLID REPEATING COLORS
- INTERFACIAL SEAL:**
SILICONE RUBBER PER A-A-59588
- HARDWARE:**
STAINLESS STEEL, PASSIVATED PER SAE-AMS-2700



SOCKET #	COLOR
1, 11	BLACK
2, 12	BROWN
3, 13	RED
4, 14	ORANGE
5, 15	YELLOW
6	GREEN
7	BLUE
8	VIOLET
9	GRAY
10	WHITE



RoHS

INTERNAL USE ONLY
USE MFG LOADING
PROCEDURE MMDS-015

NOTE:
DIMENSIONS IN [] ARE IN MILLIMETERS UNLESS OTHERWISE NOTED AND ARE FOR REFERENCE ONLY

MMDS SLDW	THIRD ANGLE	THIS DRAWING CONTAINS CONFIDENTIAL AND PROPRIETARY INFORMATION WHICH IS THE PROPERTY OF OMNETICS CONNECTOR CORP. THIS DOCUMENT MAY NOT, IN WHOLE OR IN PART, BE DUPLICATED, OR DISCLOSED FOR ANY PURPOSE, WITHOUT WRITTEN PERMISSION FROM OMNETICS CONNECTOR CORP.		OMNETICS	CAGE CODE 61873	
	-TOLERANCES- UNLESS OTHERWISE NOTED DIMENSIONS IN INCHES	DFTM. HV	DATE 05-27-16		TITLE:	CONNECTOR CORPORATION
	2 PL DEC ± .01	CHK'D.	DATE	(15) SOCKET FEMALE	7260 COMMERCE CIRCLE EAST	SHEET 1 OF 1
	3 PL DEC ± .005	APP'D.	DATE	MICRO-D CONNECTOR	MINNEAPOLIS, MN 55432	REV A
4 PL DEC ± .0005			W/ JACKPOSTS	WWW.OMNETICS.COM	SCALE: 3:1	
ANGLES ± 1°						