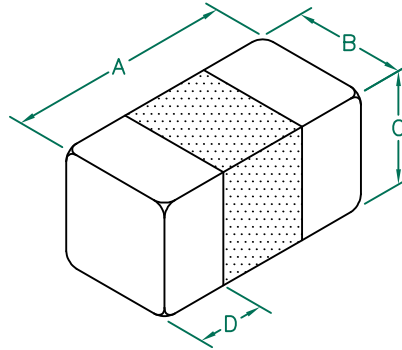


LI0201B241R-12

UNCONTROLLED DOCUMENT

PHYSICAL DIMENSIONS:

A	0.60 [.024]	+	0.03 [.001]
B	0.30 [.012]	+	0.03 [.001]
C	0.30 [.012]	+	0.03 [.001]
D	0.15 [.006]	+	0.05 [.002]



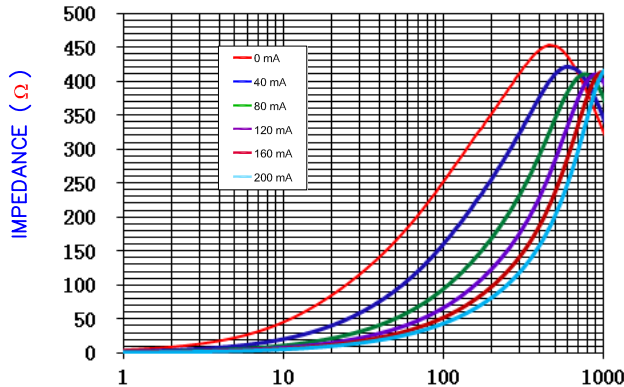
ELECTRICAL CHARACTERISTICS:

	Z @ 100MHz (Ω)	DCR (Ω)	Rated Current
Nominal	240		
Minimum	180		
Maximum	300	1.00	200 mA

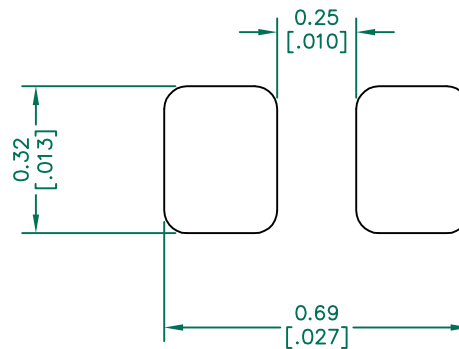
NOTES: UNLESS OTHERWISE SPECIFIED

1. TAPED AND REELED per CURRENT EIA SPECIFICATIONS 7" REELS, 15,000 PCS/REEL, PAPER TAPE.
2. TERMINATION FINISH IS 100% TIN.
3. COMPONENTS SHOULD BE ADEQUATELY PREHEATED BEFORE SOLDERING.
4. OPERATING TEMP. RANGE: $-40^{\circ}\text{C} \sim +125^{\circ}\text{C}$. (INCLUDING SELF-HEATING)

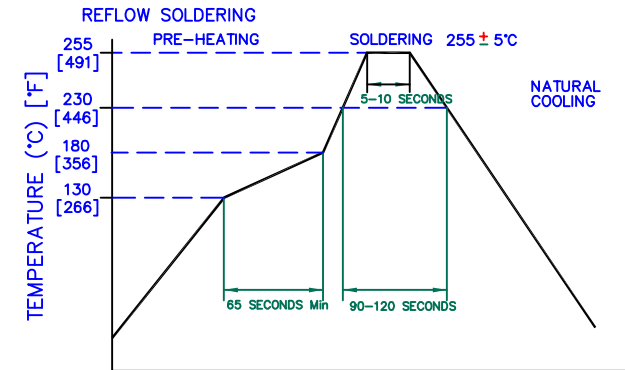
Z vs FREQUENCY
IMPEDANCE UNDER DC BIAS



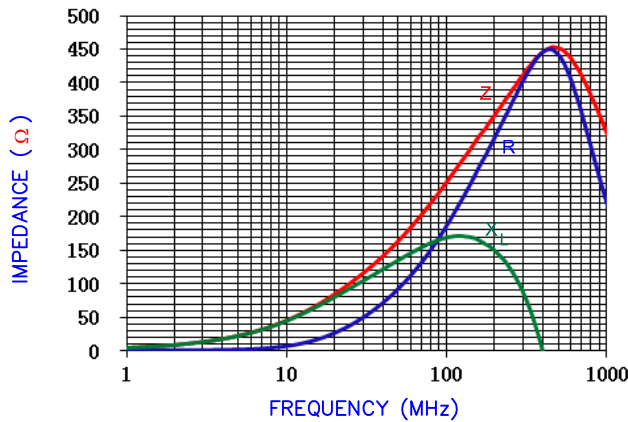
LAND PATTERNS FOR REFLOW SOLDERING



RECOMMENDED SOLDERING CONDITIONS



|Z|, R, AND X vs. FREQUENCY



Z R X_L



DIMENSIONS ARE IN mm [INCHES].		This print is the property of Laird Tech. and is loaned in confidence subject to return upon request and with the understanding that no copies shall be made without the written consent of Laird Tech. All rights to design or invention are reserved.		Laird	
PROJECT/PART NUMBER: LI0201B241R-12		REV: A	PART TYPE: CO-FIRE	DRAWN BY: QU	
DATE: 03/11/14	SCALE: NTS	SHEET: 1 of 1			
A	ORIGINAL DRAFT	03/11/14	QU	LI0201B241R-12-A	
REV	DESCRIPTION	DATE	INT	TOOL # -	