

PART NO.*	COLOR
597-7701-2xx	Red/Green
597-7721-2xx	Yellow/Green

Features

- Compatible with automatic placement equipment
- Compatible with infrared reflow processes
- Packaged on 8mm tape, 7" reels (meets EIA-481-1 standard)
- Helps to eliminate mixed technology PC board processing
- Compatible with Dialight's Optopipe™ Series light pipes

***ORDERING INFORMATION**

597-77x1-2xx

packaging option \uparrow

02	20 pieces on tape
07	7" reel, 1500 pcs/reel

ABSOLUTE MAXIMUM RATINGS (T _A =25°C)	Red/Green	Yellow/Green
	-7701	-7721
Power Dissipation (mW)	100/100	60/100
Forward Current (mA)	30/30	20/30
Derating (mA/°C) From 50°C	.6/.6	.4/.6
Peak Current (mA)	120/120	80/100
Pulse width 10 μs		
Operating Temperature (°C)	-55/+100	-55/+100
Storage Temperature (°C)	-55/+100	-55/+100
Soldering Profile	235°C peak 15 seconds, 185° for 90 seconds	

Solder Adherence per MIL-STD-202E, Method 208C

OPERATING CHARACTERISTICS (T _A =25°C)	Red/Green		Yellow/Green
	-7701		-7721
Luminous Intensity (mcd)	Min.	8/8	8/8
I _F =20mA	Typical	16/16	16/16
Peak Wavelength (nm)	Typical	630/565	585/565
λ Peak			
Viewing Angle (2Θ _{1/2})	Typical	120°	120°
Forward Voltage (V)	Typical	2/2.1	1.8/2.1
I _F =20mA	Max.	2.6/2.6	2.7/2.6

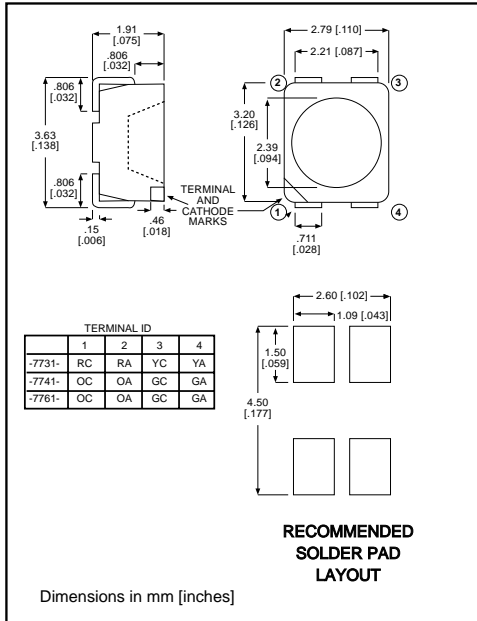
Θ 1/2 is the off axis angle at which the luminous intensity is half the axial luminous intensity



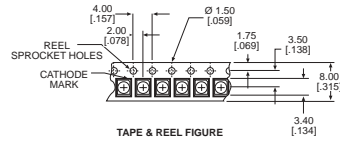
Surface Mount LED Bi-Color

Dialight

597-7731-2xx
597-7741-2xx
597-7761-2xx



TAPING SPECIFICATIONS (rear side of tape)



PART NO.*

COLOR

597-7731-2xx Red/Yellow
597-7741-2xx Orange/Green
597-7761-2xx Orange/
Pure Green



Features

- Compatible with automatic placement equipment
- Compatible with infrared reflow processes
- Packaged on 8mm tape, 7" reels (meets EIA-RS-481-1 standard)
- Helps to eliminate mixed technology PC board processing
- Compatible with Dialight's Optopipe™ Series light pipes

*ORDERING INFORMATION

597-77x1-2xx

packaging option

02	20 pieces on tape
07	7" reel, 2000 pcs/reel

ABSOLUTE MAXIMUM RATINGS (T _A =25°C)	Red/Yellow	Orange/Green	Orange/Pure Green
	-7731	-7741	-7761
Power Dissipation (mW)	100/100	100/100	100/100
Forward Current (mA)	30/30	30/30	30/30
Derating (mA/°C) From 55°C	.66/.66	.66/.66	.66/.66
Peak Current (mA)	500	500	500
Pulse width 10 μs			
Operating Temperature (°C)	-55/+100	-55/+100	-55/+100
Storage Temperature (°C)	-55/+100	-55/+100	-55/+100
Soldering Profile	235°C peak 15 seconds, 185° for 90 seconds		

Solder Adherence per MIL-STD-202E, Method 208C

OPERATING CHARACTERISTICS (T _A =25°C)	Red/Yellow	Orange/Green	Orange/Pure Green
	-7731	-7741	-7761
Luminous Intensity (mcd)	Min. 2.5/2.5	4/4	2.5/2.5
I _F =10mA	Typical 7.3/6.8	8/8	5/5
Peak Wavelength (nm)	Typical 635/586	610/565	610/557
λ Peak			
Viewing Angle (2θ ½)	Typical 120°	120°	120°
Forward Voltage (V)	Typical 2/2	2/2	2/2
I _F =10mA	Max. 2.6/2.6	2.6/2.6	2.6/2.6
Reverse Voltage (V), I _R =10μA	Min. 5	5	5

θ^{1/2} is the off axis angle at which the luminous intensity is half the axial luminous intensity