

PRODUCT NUMBER

76384-YXXZ

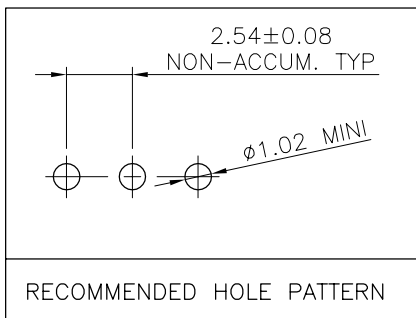
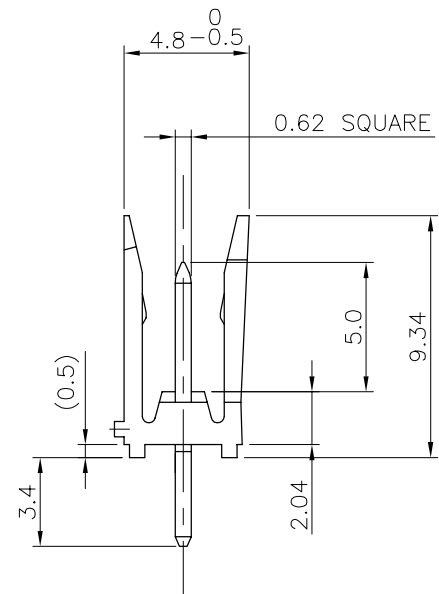
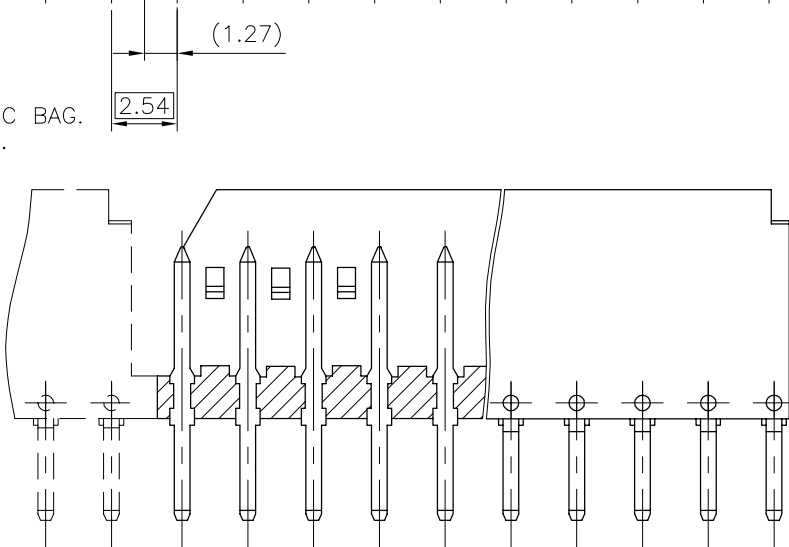
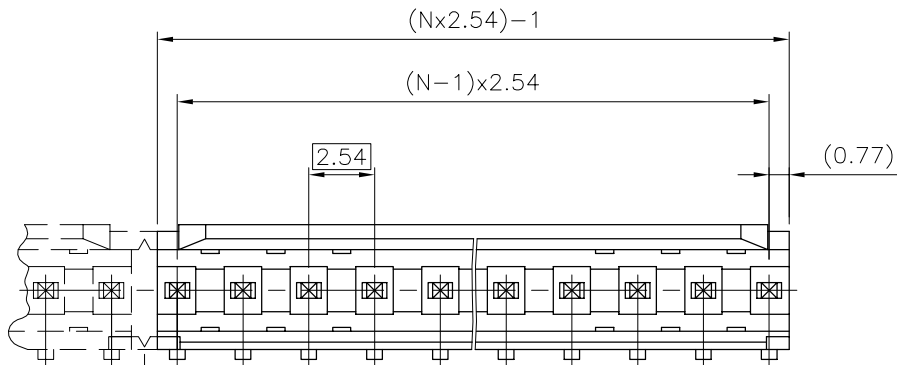
OPTIONAL LETTER SEE NOTE 7.
NUMBER OF POSITIONS: 02 TO 36.

PLATING CODE

3= 0.76µm GOLD ON CONTACT AREA.
3.81µm TIN-LEAD ON TAIL.
4= 5µm TIN-LEAD ON CONTACT AREA.
3.81µm TIN-LEAD ON TAIL.

NOTES:

- 1 - HOUSING MAT'L: THERMOPLASTIC GLASS FILLED FLAME RETARDANT PER UL 94 V-O COLOR: BLUE.
- 2 - TERMINAL MATERIAL: PHOSPHOR BRONZE.
- 3 - 1 UP TO 6 POSITIONS PRODUCT PACKED IN PLASTIC BAG.
7 UP TO 36 POSITIONS PRODUCT PACKED IN TUBE.
- 4 - TO DETERMINE DIMENSIONS:
N = NUMBER OF POSITIONS
EXAMPLE: 8 POS: (N×2.54)-1=19.32 mm
- 5 - MINI PUSH-OUT FORCE TERMINAL IN BOTH DIRECTIONS 22N.
- 6 - ONLY DASH NUMBER -X02 AND -X03 ALWAYS TEN (10) PRODUCTS MOLDED ASSEMBLY & DELIVERY TOGETHER ACCORDING PHANTOM LINES.
- 7 - A LETTER "C" AT THE END OF PART NUMBER INDICATE A PACKAGING IN SHORT TUBE.



Tous droits strictement réservés. Reproduction ou communication
 sous quelque forme que ce soit sans autorisation écrite de
 la propriété de FCI Electronics S. A.
 All rights strictly reserved. Reproduction or communication
 in any form without written authority from the
 property of FCI Electronics S. A.



All rights strictly reserved. Reproduction or issues to third parties
 in any form without written authority from the
 property of FCI Electronics S. A.
 Copyright © FCI Electronics S. A.

mat'l. code SEE NOTES				tolerances unless otherwise specified		CUSTOMER COPY		ELECTRONICS www.fciconnect.com			
ltr	ecn no	dr	date	linear	.x	±0.3		projection	title		
F	F10540	DGR	91.07.08		.xx	±0.15					
G	F90151	DLE	99.03.03		.xxx	±0.05					
H	F90331	DLE	99.05.07	angles				STR. HEADER STR SR TMT			
J	F10103	GCO	01.01.12	dr	D	LEGRAND			99.03.03	product family	code
K	F10343	DLE	01.06.12	eng	JM	PHAMVAN			99.03.03	DUBOX	213
L	F04-0317	LMU	04.07.13	chr	JM	PHAMVAN	99.03.03	size	dwg no		
				app	JM	PHAMVAN	99.03.03	scale	76384		
sheet	revision							5:1	1 of 1		
index	sheet										