

XIO2213A Implementation Guide

Undrea Fields

ABSTRACT

This document is provided to assist platform designers using the XIO2213A PCI Express to 1394b OHCI controller. Detailed information can be found in the XIO2213A data manual. However, this document provides board design suggestions for the various device features when designing in the XIO2213A.

Contents

| | | |
|----|--|----|
| 1 | XIO2213A Typical System Implementation | 2 |
| 2 | Power Considerations..... | 3 |
| 3 | PCI Express Interface Considerations | 6 |
| 4 | 1394b Port Interface Considerations..... | 8 |
| 5 | Miscellaneous Terminal Considerations | 9 |
| 6 | Software Considerations | 10 |
| 7 | Board Design Considerations | 14 |
| 8 | Power Management Considerations..... | 15 |
| 9 | Reference Schematics | 16 |
| 10 | Reference Documents..... | 21 |

List of Figures

| | | |
|----|--|----|
| 1 | Typical System Implementation | 2 |
| 2 | Filter Designs..... | 6 |
| 3 | PHY to Port Cable Implementation | 14 |
| 4 | XIO2213AZAY | 16 |
| 5 | 1394b Connector..... | 17 |
| 6 | PCI Express Connector – BUS Pwr Option | 18 |
| 7 | 1.95-V Power Rail..... | 19 |
| 8 | 3.3-V Power Rail | 19 |
| 9 | 1394 PHY Power Rail | 19 |
| 10 | 1.5-V Power Rail | 20 |

List of Tables

| | | |
|---|---|----|
| 1 | XIO2213A/PCI Express Device Terminal Connection Details | 6 |
| 2 | Terminals Tied to GND..... | 10 |

1 XIO2213A Typical System Implementation

Figure 1 shows a typical implementation of the XIO2213A PCI Express to 1394b OHCI controller. This solution provides robust PCI Express link to 1394b cable port protocol conversion in a single semiconductor package. The XIO2213A operates only with the PCI Express link as the primary interface and the 1394b cable ports as the secondary interface.

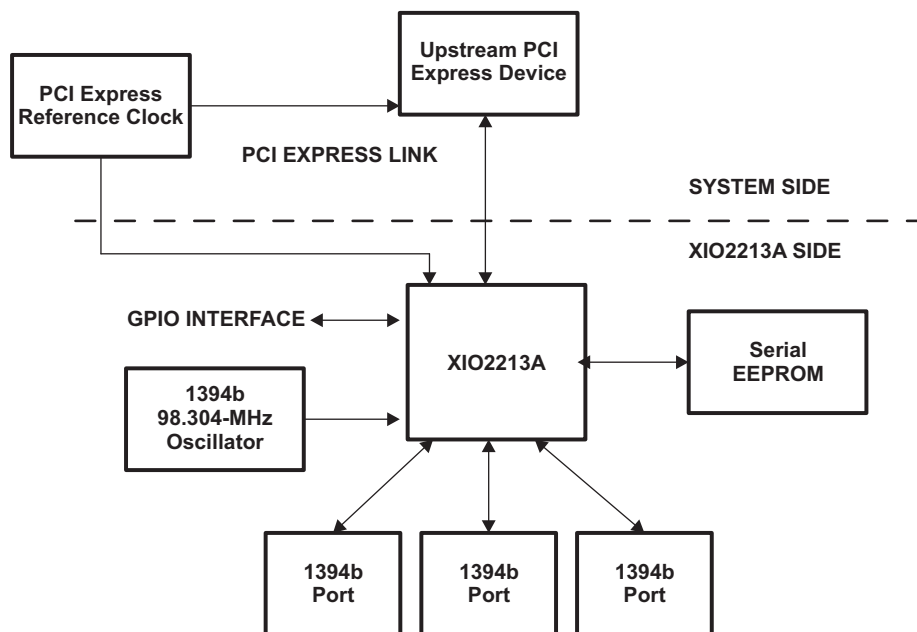


Figure 1. Typical System Implementation

Either a common differential 100-MHz PCI Express reference clock or an asynchronous single-ended 125-MHz reference clock is supported. Figure 1 illustrates the common 100-MHz reference clock option.

The 1394b core requires the standard 98.304-MHz oscillator as described in the 1394b specification.

The EEPROM can be used to set various configuration registers but is not necessary if those registers are settable via system software/BIOS.

Eight general-purpose inputs and outputs (GPIO) exist for further system customization.

2 Power Considerations

2.1 1.5-V, 1.95-V, and 3.3-V Digital Supplies

The XIO2213A requires 1.5-V, 1.95-V and 3.3-V digital power supplies.

The 1.5-V terminals are named V_{DD_15} . These terminals supply power to the digital core. The 1.5-V core allows for a significant reduction in both power consumption and logic switching noise.

The 1.95-V terminals are named D_{VDD_CORE} . These terminals supply power to the PHY digital core.

Note: For DVDD_CORE power supply filtering it is recommended that each of the three DVDD_CORE terminals have 1-F capacitors to ground placed as close as possible to the device.

The 3.3-V terminals are named D_{VDD_33} , V_{DD_33} , and $V_{DD_33_AUX}$ and supply power to most of the input and output cells.

All of these supplies must have 0.1- μ F bypass capacitors to VSS (GND) in order for proper operation. The recommendation is one capacitor for each power terminal.

When placing and connecting all bypass capacitors, high-speed board design rules must be followed.

2.2 1.5-V, 1.95-V, and 3.3-V Analog Supplies

The XIO2213A requires 1.5-V, 1.95-V, and 3.3-V analog power supplies. Because circuit noise on the analog power terminals must be minimized, the following Pi filters are recommended (See [Figure 2](#)).

All of the 1.5-V, 1.95-V, and 3.3-V analog supplies must have 0.1- μ F bypass capacitors connected to V_{SSA} (GND) for proper operation. The recommendation is one capacitor for each power terminal. In addition, one 1000-pF capacitor per Pi filter is recommended. This 1000-pF capacitor is attached to the device side of the Pi filter and to V_{SSA} (GND). High-speed board design rules must be followed when connecting bypass capacitors.

2.3 98.304 MHz Oscillator Power Supply

To minimize induced jitter, the 3.3-V power supply for the 98.304-MHz oscillator should be isolated from the other 3.3-V supplies. The TI reference design accomplishes this by using a ferrite bead and parallel 1- μ F and 0.1- μ F capacitors. See TI XIO2213A, Reference Schematics.

2.4 Combined Power Outputs

There are three combined power rails in the XIO2213A that are distributed to the analog circuits, digital logic, and I/O cells. Each of the three power rails has an output terminal for the external attachment of bypass capacitors to minimize circuit switching noise. These terminals are named $V_{DD_15_COMB}$, $V_{DD_33_COMB}$, and $V_{DD_COM_IO}$.

The recommended bypass capacitors for each combined output terminal are 1000 pF, 0.01 μ F, and 1.0 μ F. When placing these capacitors on the bottom side of the circuit board, the smallest value capacitor is positioned next to the via associated with the combined output terminal, and the largest value capacitor is the most distant from the via. The circuit board trace width connecting the combined output terminal via to the capacitors must be at least 12 to 15 mils wide with the trace length as short as possible.

Other than the three recommended capacitors, no other external components are attached to these combined output terminals.

2.5 V_{SS} and V_{SSA} GND Terminals

For proper operation of the XIO2213A, a unified V_{SS} and V_{SSA} ground plane is recommended. The circuit board stack-up recommendation is to implement a layer 2 ground plane directly under the XIO2213A device. Both the circuit board vias and ground trace widths that connect the V_{SS} and V_{SSA} ball pads to this ground plane must be oversized to provide a low-impedance connection.

2.6 Capacitor Selection Recommendations

When selecting bypass capacitors for the XIO2213A device, X7R-type capacitors are recommended. The frequency versus impedance curves, quality, stability, and cost of these capacitors make them a logical choice for most computer systems.

The selection of bulk capacitors with low-ESR specifications is recommended to minimize low-frequency power supply noise. Today, the best low-ESR bulk capacitors are radial leaded aluminum electrolytic capacitors. These capacitors typically have ESR specifications that are less than 0.01Ω at 100 kHz. Also, several manufacturers sell "D" size surface mount specialty polymer solid aluminum electrolytic capacitors with ESR specifications slightly higher than 0.01Ω at 100 kHz. Both of these bulk capacitor options significantly reduce low-frequency power supply noise and ripple.

2.7 Power-up/Power-down Sequencing

All XIO2213A analog and digital power terminals must be controlled during the power-up and power-down sequence. During power sequencing, all power rails must remain within 3.6 V to prevent damaging the XIO2213A.

When power cycling the XIO2213A, supply sequencing is required to ensure that the output cells have valid inputs from the core when they are powered up or powered down. The 1.5-V, 1.95-V analog, 1.5-V, and 1.95-V digital power supplies must be applied first when powering up the device and removed last when powering down the device. Having stable signal levels from the core logic driving the output cells prevents output driver current and voltage fluctuations when the output cells are powered up or powered down.

For additional power sequencing requirements, please reference the XIO2213A data manual (SCPS171) and the PCI-Express Card Electromechanical Specification, Revision 1.1.

2.8 Power Supply Filtering Recommendations

To meet the PCI-Express and 1394b OHCI jitter specifications, low-noise power supplies are required on several of the XIO2213A voltage terminals. The power terminals that require low-noise power include $V_{DDA_{15}}$ and $V_{DDA_{33}}$. This section provides guidelines for the filter design to create low-noise power sources.

The least expensive solution for low-noise power sources is to filter existing 3.3-V, 1.95-V and 1.5-V power supplies. This solution requires analysis of the noise frequencies present on the power supplies. The XIO2213A has external interfaces operating at clock rates ranging from 100 MHz up to 2.5 GHz. Other devices located near the XIO2213A may produce switching noise at different frequencies. Also, the power supplies that generate the 3.3-V, 1.95-V, and 1.5-V power rails may add ripple noise. Linear regulators have feedback loops that typically operate in the 100-KHz range. Switching power supplies typically have operating frequencies in the 500-KHz range. When analyzing power supply noise frequencies, the first, third, and fifth harmonic of every clock source should be considered.

Critical analog circuits within the XIO2213A must be shielded from this power supply noise. The fundamental requirement for a filter design is to reduce power supply noise to a peak-to-peak amplitude of less than 25 millivolts. This maximum noise amplitude should apply to all frequencies from 0 Hz to 6.25 GHz.

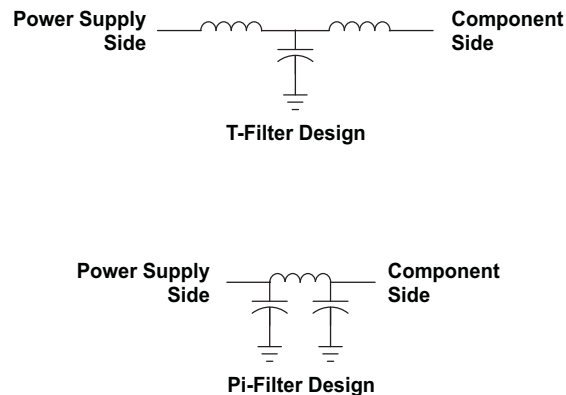
The following information should be considered when designing a power supply filter:

1. Ideally, the series resonance frequency for each filter component should be greater than the fifth harmonic of the maximum clock frequency. With a maximum clock frequency of 1.25 GHz, the third harmonic is 3.75 GHz and the fifth harmonic is 6.25 GHz. Finding inductors and capacitors with a series resonance frequency above 6.25 GHz is both difficult and expensive. Components with a series resonance frequency in the 4-GHz to 6-GHz range are a good compromise.
2. The inductor(s) associated with the filter must have a DC resistance low enough to pass the required current for the connected power terminals. The voltage drop across the inductor must be low enough to meet the minus 10% voltage margin requirement associated with each XIO2213A power terminal. Power supply output voltage variation must be considered as well as voltage drops associated with any connector pins and circuit board power distribution geometries.
3. The Q versus frequency curve associated with the inductor must be appropriate to reduce power terminal noise to less than the maximum peak-to-peak amplitude requirement for the XIO2213A. Recommending a specific inductor is difficult because every system design is different and therefore the noise frequencies and noise amplitudes are different. Many factors will influence the inductor selection for the filter design. Power supplies must have adequate input and output filtering. A sufficient number of bulk and bypass capacitors are required to minimize switching noise. Assuming that board level power is properly filtered and minimal low frequency noise is present, frequencies less than 10 MHz, an inductor with a Q greater than 20 from approximately 10 MHz to 3 GHz should be adequate for most system applications.
4. The series component(s) in the filter may either be an inductor or a ferrite bead. Testing has been performed on both component types. When measuring PCI-Express link jitter, the inductor or ferrite bead solutions produce equal results. When measuring circuit board EMI, the ferrite bead is a superior solution.

Note: The XIO2213A reference schematics include ferrite beads in the analog power supply filters.

5. When designing filters associated with power distribution, the power supply is a low impedance source and the device power terminals are a low impedance load. The best filter for this application is a “T” filter. See [Figure 2](#) for an example T-filter circuit. Some system may require this type of filter design if the power supplies or nearby components are exceptionally noisy. This type of filter design is recommended if a significant amount of low frequency noise, frequencies less than 10 MHz, is present in a system.
6. For most applications a “Pi” filter is adequate. See [figure 2](#) for an example Pi filter circuit. When implementing a Pi filter, the two capacitors and the inductor must be located next to each other on the circuit board and must be connected together with wide low-impedance traces. Capacitor ground connections must be short and low impedance.
7. If a significant amount of high frequency noise (frequencies greater than 300 MHz) is present in a system, creating an internal circuit board capacitor helps reduce this noise. This is accomplished by locating power and ground planes next to each other in the circuit board stack-up. A gap of 0.003 mils between the power and ground planes significantly reduces this high frequency noise.
8. Another option for filtering high-frequency logic noise is to create an internal board capacitor using signal layer copper plates. When a component requires a low-noise power supply, usually the Pi filter is located near the component. Directly under the Pi filter, a plate capacitor may be created. In the circuit board stack-up, select a signal layer that is physically located next to a ground plane. Then, generate an internal 0.25-inch by 0.25-inch plate on that signal layer. Assuming a 0.006-mil gap between the signal layer plate and the internal ground plane, this generates a 12-pF capacitor. By connecting this plate capacitor to the trace between the Pi filter and the component’s power terminals, an internal circuit board high frequency bypass capacitor is created. This solution is extremely effective for switching frequencies above 300 MHz.

[Figure 2](#) illustrates two different filter designs that may be used with the XIO2213A to provide low-noise power to critical power terminals.


Figure 2. Filter Designs

3 PCI Express Interface Considerations

The XIO2213A has an x1 PCI Express interface that is fully compliant to the PCI Express Base Specification, Revision 1.0a. The remainder of this chapter describes implementation considerations for the XIO2213A's primary PCI Express interface.

3.1 Gbps Transmit and Receive Link

The XIO2213A TX and RX terminals attach to the upstream PCI Express device over a 2.5-Gbps high-speed differential transmit and receive PCI Express x1 Link. The connection details are provided in [Table 1](#).

Table 1. XIO2213A/PCI Express Device Terminal Connection Details

| TERMINAL NAME | | COMMENTS |
|---------------|-----------------------------|--|
| XIO2213A | UPSTREAM PCI EXPRESS DEVICE | |
| TXP | RXP | XIO2213A's transmit positive differential terminal connects to the upstream device's receive positive differential terminal. |
| TXN | RXN | XIO2213A's transmit negative differential terminal connects to the upstream device's receive negative differential terminal. |
| RXP | TXP | XIO2213A's receive positive differential terminal connects to the upstream device's transmit positive differential terminal. |
| RXN | TXN | XIO2213A's receive negative differential terminal connects to the upstream device's transmit negative differential terminal. |

The XIO2213A TXP and TXN terminals comprise a low-voltage, 100- Ω , differentially driven, signal pair. The RXP and RXN terminals for the XIO2213A receive a low-voltage, 100- Ω , differentially driven, signal pair. The XIO2213A has integrated 50- Ω termination resistors to V_{SS} on both the RXP and RXN terminals eliminating the need for external components.

Each lane of the differential signal pair must be ac-coupled. The recommended value for the series capacitor is 0.1 μ F. To minimize stray capacitance associated with the series capacitor circuit board solder pads, 0402-sized capacitors are recommended.

When routing a 2.5-Gb/s low-voltage, 100- Ω differentially driven signal pair, the following circuit board design guidelines must be considered:

1. The PCI-Express drivers and receivers are designed to operate with adequate bit error rate margins over a 20-inch maximum length signal pair routed through FR4 circuit board material.
2. Each differential signal pair must be 100- Ω differential impedance with each single-ended lane measuring in the range of 50- Ω to 55- Ω impedance to ground.

3. The differential signal trace lengths associated with a PCI Express high-speed link must be length matched to minimize signal jitter. This length matching requirement applies only to the P and N signals within a differential pair. The transmitter differential pair does not need to be length matched to the receiver differential pair. The absolute maximum trace length difference between the TXP signal and TXN signal must be less than 5 mils. This also applies to the RXP and RXN signal pair.
4. If a differential signal pair is broken into segments by vias, series capacitors, or connectors, the length of the positive signal trace must be length matched to the negative signal trace for each segment. Trace length differences over all segments are additive and must be less than 5 mils. 5. The location of the series capacitors is critical. For add-in cards, the series capacitors are located between the TXP/TXN terminals and the PCI-Express connector. In addition, the capacitors are placed near the PCI Express connector. This translates to two capacitors on the motherboard for the downstream link and two capacitors on the add-in card for the upstream link. If both the upstream device and the downstream device reside on the same circuit board, the capacitors are located near the TXP/TXN terminals for each link.
5. The number of vias must be minimized. Each signal trace via reduces the maximum trace length by approximately 2 inches. For example: if 6 vias are needed, the maximum trace length is 8 inches.
6. When routing a differential signal pair, 45-degree angles are preferred over 90-degree angles. Signal trace length matching is easier with 45-degree angles and overall signal trace length is reduced.
7. The differential signal pairs must not be routed over gaps in the power planes or ground planes. This causes impedance mismatches.
8. If vias are used to change from one signal layer to another signal layer, it is important to maintain the same 50- Ω impedance reference to the ground plane. Changing reference planes causes signal trace impedance mismatches. If changing reference planes cannot be prevented, bypass capacitors connecting the two reference planes next to the signal trace vias helps reduce the impedance mismatch.
9. If possible, the differential signal pairs should be routed on the top and bottom layers of a circuit board. Signal propagation speeds are faster on external signal layers.

3.2 PCI Express Transmitter Reference Resistor

The REF0_PCIE and REF1_PCIE terminals connect to an external resistor to set the drive current for the PCI Express TX driver. The required resistor value is 14,532 Ω with a 1% tolerance.

A 14,532- Ω resistor is a custom value. To eliminate the need for a custom resistor, two series resistors are recommended, a 14,300- Ω 1% resistor and a 232- Ω 1% resistor. Trace lengths must be kept short to minimize noise coupling into the reference resistor terminals.

3.3 PCI-Express Reference Clock Inputs

The XIO2213A requires an external reference clock for the PCI-Express interface. The PCI Express Base Specification and PCI Express Card Electromechanical Specification provide information concerning the requirements for this reference clock. The XIO2213A is designed to meet all stated specifications when the reference clock input is within all PCI Express operating parameters. This includes both standard clock oscillator sources or spread spectrum clock oscillator sources.

The XIO2213A supports two options for the PCI Express reference clock: a 100-MHz common differential reference clock or a 125-MHz asynchronous single-ended reference clock. Both implementations are described below.

The first option is a system-wide, 100-MHz differential reference clock. A single clock source with multiple differential clock outputs is connected to all PCI Express devices in the system. The differential connection between the clock source and each PCI Express device is point-to-point. This system implementation is referred to as a common clock design.

The XIO2213A is optimized for this type of system clock design. The REFCLK+ and REFCLK– terminals provide differential reference clock inputs to the XIO2213A. The circuit board routing rules associated with the 100-MHz differential reference clock are the same as the 2.5-Gb/s TX and RX link routing rules itemized in [Section 3.1](#). The only difference is that the differential reference clock does not require series capacitors. The requirement is a DC connection from the clock driver output to the XIO2213A receiver input. Electrical specifications for these differential inputs are included in the XIO2213A data manual. Terminating the differential clock signal is circuit board design specific, but the XIO2213A design has no internal 50-Ω-to-ground termination resistors. Both REFCLK inputs, at approximately 20 kΩ to ground, are high-impedance inputs.

The second option is a 125-MHz asynchronous single-ended reference clock. For this case, the devices at each end of the PCI Express link have different clock sources. The XIO2213A has a 125-MHz single-ended reference clock option for asynchronous clocking designs. When the REFCLK_SEL input terminal is tied to V_{DD_33} , this clocking mode is enabled.

The single-ended reference clock is attached to the REFCLK+ terminal. The REFCLK+ input, at approximately 20 kΩ, is a high-impedance input. Any clock termination design must account for a high-impedance input. The REFCLK– terminal is attached to a 0.1-μF capacitor. The capacitor's second terminal is connected to V_{SSA} . Electrical specifications for this single-ended input are included in the XIO2213A data manual.

3.4 PCI Express Reset

The XIO2213A PCI Express Reset ($\overline{\text{PERST}}$) terminal connects to the upstream PCI Express device's PERST output. The PERST input cell has hysteresis and is operational during the main power state. No external components are required.

See the XIO2213A data manual and PCI-Express Card Electromechanical Specification to fully understand the $\overline{\text{PERST}}$ electrical requirements and timing requirements associated with power-up and power-down sequencing. In addition, the data manual configuration register sections identify all register bits that are reset by $\overline{\text{PERST}}$.

4 1394b Port Interface Considerations

The XIO2213A has three 1394b cable ports that can operate at 100, 200, 400, or 800 Mbps. These ports are compliant with the IEEE Std 1394b-2002, standard. This section describes implementation considerations for the XIO2213A's 1394b cable ports.

- The cable not active (CNA) terminal is an output that reflects the state of the incoming 1394b cable port bias voltage. If no cable bias voltage is detected by the XIO2213A, then this output is asserted high. If the CNA terminal is not used, then it must be connected to GND through a 43-kΩ resistor.
- The cable power status (CPS) terminal is an input that drives an internal comparator for the purpose of detecting the presence of 1394b cable power. Normally, terminal CPS is connected to the 1394b cable power source through a 390-kΩ resistor. However, if this detection feature is not used, then CPS should be connected directly to GND.
- PC2, PC1, and PC0 are the power class programming inputs. On the de-assertion of $\overline{\text{PERST}}$, these inputs are sampled and loaded into the power class field in the 1394b PHY base configuration registers. Since the binary value associated with the power class field is implementation specific, the system designer must reference the 1394b power class description table in the XIO2213A Data Manual to determine the appropriate PC2:0 input levels. Each terminal is connected to either GND or V_{DD_33} to specify the appropriate power class binary value. This connection may either be direct or through a weak resistor.
- Terminals R0 and R1 are provided to set the operating current of the cable driver. A 6.34-kΩ ±1% resistor is required to meet the IEEE Std. output voltage limits. One side of the resistor is connected to the R0 terminal and the other side of the resistor to the R1 terminal. Signal traces must be short to minimize noise coupling into the two terminals.

- TPAP, TPAxN, TPBP, TPBN, and TPBIASx comprise the five major terminals associated with 1394b PHY port (Where x = Port#). TPAP and TPAxN are the cable-A differential signals. TPBP and TPBN are the cable-B differential signals. TPBIASx provides the 1.86-V nominal bias required for proper 1394a driver/receiver operation and for active cable connection signaling to the remote node. The 1394b TPA and TPB differential pairs must follow the same routing guidelines as the PCI Express TX and RX differential pairs except for the differential impedance requirement of 110 ohms. For an unused port, all five terminals can be left as no connects. See the attached schematics for external circuit recommendations between the XIO2213A and 1394b cable connector.
- The XIO2213A is designed to use an external 98.304-MHz crystal oscillator connected to the XI terminal to provide the reference clock. This clock, in turn, drives a PLL circuit that generates the various clocks required for transmission and resynchronization of data at the S100 through S800 media data rates.

A variation of less than ± 100 ppm from nominal for the media data rates is required by IEEE Std 1394a and less than ± 50 ppm for IEEE Std. 1394b. Adjacent PHYs may, therefore, have a difference of up to 200 ppm from each other in their internal clocks, and PHYs must be able to compensate for this difference over the maximum packet length. Larger clock variations can cause resynchronization overflows or underflows, resulting in corrupted packet data.

For the XIO2213A, the PCLK output can be used to measure the frequency accuracy and stability of the internal oscillator and PLL from which it is derived. The frequency of the PCLK output must be within ± 50 ppm of the nominal frequency of 98.304 MHz.

The following are some typical specifications for an oscillator used with the XIO2213A to achieve the required frequency accuracy and stability:

- RMS jitter of 5 ps or less
- RMS phase-noise jitter of 1 ps or less over the range 12 kHz to 20 MHz or higher
- Frequency tolerance at 25°C: Total frequency variation for the complete circuit is ± 100 ppm. A device with ± 30 -ppm or ± 50 -ppm frequency tolerance is recommended for adequate margin.
- Frequency stability (over temperature and age): A device with ± 30 -ppm or ± 50 -ppm frequency stability is recommended for adequate margin.

5 Miscellaneous Terminal Considerations

5.1 Terminals

There are eight GPIO terminals in the XIO2213A. All eight GPIO terminals are 3.3-V tolerant.

One classic PCI configuration register defines the GPIO terminal direction as either an input or an output. A second register either defines the GPIO output state or reports the GPIO input state. The power-up default is GPIO input mode. The power-up default signal level for each GPIO terminal is determined by either an internal active pullup transistor or any externally attached components. Internal active pullup transistors are present on all GPIO terminals. When a GPIO terminal is configured as an input, the internal active pullup transistor is enabled. If a GPIO terminal is configured as an output, the internal active pullup transistor is disabled.

5.2 \overline{GRST} Terminal

\overline{GRST} is a global reset terminal that is provided for custom reset requirements. When this input is asserted low, all registers, state machines, digital logic, and analog circuits are returned to their power-up default state. This reset is asynchronous to all external reference clock and internal clock domains. The \overline{GRST} input buffer has hysteresis and an internal active pullup resistor. This input is powered either by main power.

During an XIO2213A device power-up from the D3cold power state, there is no requirement to assert this terminal low. An internal power-up reset function performs an equivalent reset to \overline{GRST} .

If the system designer has no need for a custom reset, the \overline{GRST} terminal can simply be left floating. An internal active pullup resistor will guarantee a non-reset state.

5.3 PHY TESTM and TESTW/VREG_PD Terminals

The TESTM and TESTW terminals must be pulled up to DVDD_33 using a 1-k Ω resistor for each terminal.

5.4 PHY SE and SM Terminals

The SE and SM terminals must be tied to GND.

5.5 Reserved Terminals

The XIO2213A has multiple reserved terminals. The recommendation for all reserved terminals is a no-connect state, with the exception of the following terminals, which should be tied to GND:

Table 2. Terminals Tied to GND

| ZAY PACKAGE RSVD TERMINALS TIE TO GND | ZAJ PACKAGE RSVD TERMINALS TIE TO GND |
|---|---|
| M8 | M9 |
| D12 | C10 |
| G12 | F11 |
| D13 | D12 |

Do not connect reserved terminals to other signals or external components. Doing so may increase power consumption or cause output driver signal conflicts.

6 Software Considerations

The basic XIO2213A programming model consists of a 1394b OHCI controller with a three-port PHY that sits behind a PCI Express-to-PCI translation bridge. All operating systems that support this system configuration properly configure the standard functionality within the XIO2213A.

To be more specific, the PCI Express-to-PCI translation bridge supports the classic PCI-to-PCI bridge programming model with a type 1 PCI bridge header. Also, if the operating system supports revision 1.2 of the OHCI controller specification and the IEEE standards 1394a-1995 and 1394b-2002, then the 1394b OHCI controller will be configured properly. All other XIO2213A advanced features default to a disabled state and do not require configuration register initialization for basic operation.

6.1 Interrupt Configuration

The 1394b OHCI core only generates PCI bus interrupts on $\overline{\text{INTA}}$. When the 1394b OHCI core asserts or de-asserts an interrupt, the bridge core asynchronously detects the state change and generates upstream PCI Express interrupt messages. The PCI Express interface must be link trained and in the L0 link active state for interrupt messages to be sent upstream. The XIO2213A data manual illustrates the PCI Express message format for assert and deassert $\overline{\text{INTA}}$ messages.

6.2 Serial EEPROM Interface Configuration

An external serial EEPROM port is provided on the XIO2213A for power-up configuration support. Typically, the system BIOS will initialize the configuration registers associated with the serial EEPROM feature. But for custom systems or PCI-Express add-in cards, this feature is provided to automate basic XIO2213A configuration register initialization.

The registers loaded by the serial EEPROM feature are located in the classic PCI configuration space for the bridge. For the 1394b controller, both classic PCI configuration registers and OHCI memory-mapped configuration registers are loaded.

Note: The serial EEPROM also loads TI proprietary registers. The data loaded into these proprietary registers must not be changed from the values specified in the EEPROM register loading map. Otherwise, the operational state of the XIO2213A is indeterminate.

The SDA terminal provides a basic EEPROM enable or disable option. Upon de-assertion of $\overline{\text{PERST}}$, the logic state of this terminal is checked. If a 1b is detected, then the serial EEPROM interface is enabled. A 0b disables the interface. An external pullup or pulldown resistor is required to generate the appropriate logic state.

Immediately after the detection of a 1b state on the SDA terminal, the XIO2213A performs the following actions:

1. Bit 3 (SBDETECT) in the serial-bus control and status register is set.
2. Bit 4 (ROMBUSY) in the serial-bus control and status register is set, and a serial EEPROM download is initiated to device address 1010000b and word address 00h.
3. The EEPROM data byte located in word address 00h is checked. If bit 7 is asserted, then this indicates an end-of-list indicator, and the serial-bus state machine aborts the download. A 00h value indicates a valid PCI Express-to-PCI bus bridge function header. EEPROM word address 00h must only be loaded with 00h, 80h, or FFh. Other byte values must not be used because they may cause configuration register download errors and leave the XIO2213A in an indeterminate state.
4. After a valid function header is detected, the EEPROM data byte located in word address 01h is read. This location determines the number of bytes that are downloaded into the bridge configuration registers and must equal 1Eh.
5. The starting EEPROM word address is 02h, and the ending address is 1Fh. While downloading the 1Eh data bytes, each byte is loaded into the specified bridge configuration register. The XIO2213A data manual includes an EEPROM register loading map.
6. When the bridge function download is finished, the next EEPROM data byte is checked for a valid 1394b OHCI function header. If a 01h value is detected, then the EEPROM download continues. If bit 7 is asserted, then this indicates an end-of-list indicator and the serial-bus state machine aborts the download. EEPROM word address 20h must only be loaded with 01h, 80h, or FFh. Other byte values must not be used because they may cause configuration register download errors and leave the XIO2213A in an indeterminate state.
7. The next EEPROM data byte is checked for the length of the 1394b OHCI download. The length information must equal 18h.
8. The starting EEPROM word address is 22h and the ending address is 39h. While downloading the 18h data bytes, each byte is loaded into the specified 1394b OHCI configuration register.
9. The last data byte at word address 3Ah is checked for a valid end-of-list indicator byte. This data byte must equal 80h.
10. When the serial EEPROM interface state machine is finished, the ROMBUSY status bit is deasserted. If any errors are detected during the download procedure, then bit 0 (ROM_ERR) in the serial-bus control and status register is set. If ROM_ERR status is asserted, then the state of any configuration register targeted by the EEPROM download is unknown.
11. Additional detail is provided in the XIO2213A data manual related to the serial EEPROM function and configuration register download map.

6.3 BIOS Considerations

This section provides a high-level overview of the registers that need to be programmed by the BIOS upon initialization of the XIO2213A. In general, the only registers that must be programmed for proper operation within a Windows operating system are those registers that are EEPROM loadable. Other registers may need to be changed according to system implementation. Microsoft provides the following reference documents concerning architecture and driver support for PCI and PCI Express devices in Windows: <http://www.microsoft.com/whdc/system/bus/pci/default.mspx>.

6.3.1 Bridge Classic PCI Configuration Registers

- Primary Bus Number Register (PCI offset 18h) – This register indicates the bus number of the PCI bus segment that the primary PCI Express interface is connected to. The bridge uses this information to determine how to respond to a type 0 configuration transaction. The register default is 00h.

- Secondary Bus Number Register (PCI offset 19h) – This register indicates the bus number of the PCI bus segment that the secondary PCI interface is connected to. The bridge uses this information to determine how to respond to a type 1 configuration transaction. The register default is 00h.
- Subordinate Bus Number Register (PCI offset 1Ah) – This register indicates the bus number of the highest number PCI bus segment that is downstream of the bridge. For the XIO2213A, the subordinate bus number and secondary bus number registers must be equal. The register default is 00h.
- Subsystem Vendor ID and Subsystem ID Registers (PCI offsets 84h and 86h) –These registers are used for subsystem and option card identification purposes. Typically, these registers contain the OEM vendor ID and an OEM identified designator. These fields can be programmed using the EEPROM or BIOS. If using BIOS, then the subsystem access register at offset D0h is written to update the subsystem vendor ID and subsystem ID registers.
- GPIO Control and Data Registers (PCI offsets B4h and B6h) – These register determine the direction of the GPIO terminals and set the default state for all GPIO outputs. The initialization state for these registers is system architecture dependent. The control register default is GPIO input mode.
- General Control Register (PCI offset D4h) – This register controls various bridge power management and interface operation specific functions that are fully described in the XIO2213A data manual. This register can be programmed using the EEPROM or BIOS.
- Arbiter Control (PCI offset DCh) –This register controls the internal classic PCI Bus arbiter function and can be programmed using the EEPROM or BIOS.
 1. EEPROM word address 0Dh bit 7 maps to arbiter control register bit 7 and controls the bus parking option.
 2. EEPROM word address 0Dh bit 6 maps to arbiter control register bit 6 and controls the priority tier for the bridge.
 3. EEPROM word address 0Dh bits 5-1 map to arbiter control register bits 5-1.
 4. These reserve bits must be set to 00000b.
 5. EEPROM word address 0Dh bit 0 maps to arbiter control register bit 0 and controls the priority tier for the 1394b OHCI core.
- Arbiter Request Mask (PCI offset DDh) –This register controls the internal classic PCI bus arbiter function and can be programmed using the EEPROM or BIOS.
 1. EEPROM word address 0Eh bit 7 maps to arbiter mask register bit 7 and controls the arbiter timeout option. A value of 0b is recommended.
 2. EEPROM word address 0Eh bit 6 maps to arbiter mask register bit 6 and controls the automatic request mask option.
 3. EEPROM word address 0Eh bits 5-1 map to arbiter mask register bits 5-1. These reserve bits must be set to 00000b.
 4. EEPROM word address 0Eh bit 0 maps to arbiter mask register bit 0 and controls masking the PCI bus request signal for the 1394b OHCI core.

6.3.2 1394b OHCI Classic PCI Configuration Registers

- Subsystem Vendor ID and Subsystem Device ID Registers (PCI offsets 2Ch and 2Eh) – These registers are used for subsystem and option card identification purposes. Typically, these registers contain the OEM vendor ID and an OEM device ID. These fields can be programmed using the EEPROM or BIOS. If using BIOS, then the subsystem access register at offset F8h is written to update the subsystem vendor ID and subsystem device ID registers.
- MIN_GNT Register (PCI offset 3Eh) – This register assigns a minimum latency timer value to the OHCI controller and can be programmed using the EEPROM or BIOS. If the EEPROM download option is selected, then only the least significant 4 bits of the MIN_GNT register are updated. EEPROM word address 22h bits 3-0 map to MIN_GNT register bits 3-0. If the BIOS load option is selected, then the MIN_GNT register power-on default equals 02h until the register is updated.
- MAX_LAT Register (PCI offset 3Fh) – This register assigns a maximum arbitration priority level to the OHCI controller and can be programmed using the EEPROM or BIOS. If the EEPROM download option is selected, only the least significant 4 bits of the MAX_LAT register are updated. EEPROM word address 22h bits 7–4 map to MAX_LAT register bits 3-0. If the BIOS load option is selected, then the MAX_LAT register power-on default equals 04h until the register is updated.

- Miscellaneous Control Register (PCI offset F0h) – Bits 9–7, 4, and 2–0 within this register may be downloaded from the EEPROM or loaded by the BIOS. Miscellaneous control register bits 9 and 8 are loaded from EEPROM word address 34h bits 1 and 0. While EEPROM word address 33h bits 7, 4, and 2–0 map to miscellaneous control register bits 7, 4, and 2–0.
 1. Bits 9–8: MR_ENHANCE controls read command behavior for transactions greater than two data phases.
 2. Bit 7: PM_VERSION_CTRL selects power management 1.1 or 1.2 compliance.
 3. Bit 4: DIS_TGT_ABT selects either signaling target abort or returning indeterminate data equal to FFh.
 4. Bit 2: DISABLE_SCLKGATE is a test mode for enabling or disabling the hardware autogating of the internal PHY clock to the PCI bus clock for the 1394b core. This is a test feature only and must be cleared to 0b.
 5. Bit 1: DISABLE_PCIGATE is a test mode for enabling or disabling the hardware autogating of the internal OHCI clock to the PCI bus clock for the 1394b core. This is a test feature only and must be cleared to 0b.
 6. Bit 0: KEEP_PCLK has no effect in the XIO2213A. The recommended default value is 0b.
- Link Enhancement Control Register (PCI offset F4h) – Bits 15–12, 7, 2, and 1 within this register may be downloaded from the EEPROM or loaded by the BIOS. Link enhancement control register bits 15–12 are loaded from EEPROM word address 32h bits 7–4. While, EEPROM word address 27h bits 7, 2, and 1 map to link enhancement control register bits 7, 2, and 1.
 1. Bit 15: DIS_AT_PIPELINE enables or disables AT pipelining.
 2. Bit 14: ENAB_DRAFT Enables some features beyond the OHCI 1.1 specification.
 3. Bits 13–12: ATX_THRESH defines the initial AT FIFO threshold value.
 4. Bit 7: ENAB_UNFAIR controls responding to requests with priority arbitration.
 5. Bit 2: ENAB_INSERT_IDLE Inserts an idle state so the link waits one clock cycle before driving CTL and DATA lines.
 6. Bit 1: ENAB_ACCEL enables or disables 1394b-2000 standard acceleration enhancements.

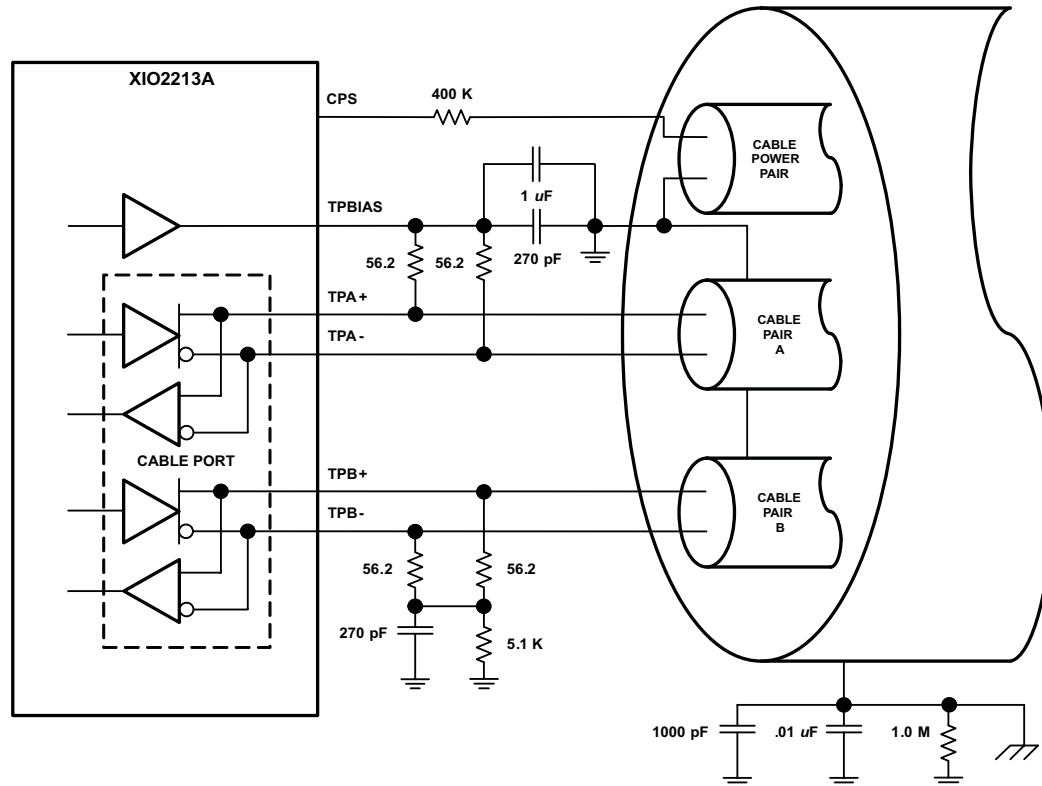
6.3.3 1394b OHCI Memory Mapped Configuration Registers

- GUID ROM Register (OHCI offset 04h) – The mini-ROM field, bit 7-0, if not equal to 00h, indicates the starting location of the EEPROM mini-ROM data. This field is loaded only by the EEPROM.
- GUID High and Low Registers (OHCI offsets 24h and 28h) – These registers represent the 64-bit global unique ID, which maps to the third quadlet and chip ID low information in the bus info block. These registers may be downloaded from the EEPROM or loaded by the BIOS.
- Host Controller Control Register (OHCI offset 50h) – Bit 23, PROGRAM PHY ENABLE, informs software that the 1394a link and PHY layers are configured for 1394a-2000 enhancements. This bit may be downloaded from the EEPROM or loaded by the BIOS. For the EEPROM download option, word address 27h bit 6 maps to the host controller control register bit 23.

7 Board Design Considerations

7.1 PHY Port Cable Connection

Figure 3 illustrates the typical TP cable connections.



The IEEE Std 1394-1995 calls for a 250-pF capacitor, which is a nonstandard component value. A 270-pF capacitor is recommended.

Figure 3. PHY to Port Cable Implementation

7.2 Crystal Selection

The XIO2213A is designed to use an external 98.304-MHz crystal oscillator connected to the XI terminal to provide the reference clock. This clock, in turn, drives a PLL circuit that generates the various clocks required for transmission and resynchronization of data at the S100 through S800 media data rates.

A variation of less than 100 ppm from nominal for the media data rates is required by IEEE Std 1394. Adjacent PHYs may, therefore, have a difference of up to 200 ppm from each other in their internal clocks, and PHYs must be able to compensate for this difference over the maximum packet length. Larger clock variations may cause resynchronization overflows or underflows, resulting in corrupted packet data.

For the XIO2213A, the PCLK output may be used to measure the frequency accuracy and stability of the internal oscillator and PLL from which it is derived. When operating the PHY-LLC interface with a non-1394b LLC, the frequency of the PCLK output must be within ± 100 ppm of the nominal frequency of 49.152 MHz. When operating the PHY-LLC interface with a 1394b LLC, the frequency of the PCLK output must be within ± 100 ppm of the nominal frequency of 98.304 MHz.

The following are some typical specifications for an oscillator used with the XIO2213A from TI to achieve the required frequency accuracy and stability:

- RMS jitter of 5 picoseconds or better
- RMS phase noise jitter of 1 pico second or less over the range 12 kHz to 20 MHz or better
- Frequency tolerance at 25°C: Total frequency variation for the complete circuit is ± 100 ppm. A device

with ± 30 ppm or ± 50 ppm frequency tolerance is recommended for adequate margin.

- Frequency stability (over temperature and age): A device with ± 30 ppm or ± 50 ppm frequency stability is recommended for adequate margin.

Note: The total frequency variation must be kept below ± 100 ppm from nominal with some allowance for error introduced by board and device variations. Trade-offs between frequency tolerance and stability may be made as long as the total frequency variation is less than ± 100 ppm. For example, the frequency tolerance of the crystal may be specified at 50 ppm, and the temperature tolerance may be specified at 30 ppm to give a total of 80 ppm possible variation due to the oscillator alone. Aging also contributes to the frequency variation.

It is strongly recommended that part of the verification process for the design is to measure the frequency of the PCLK output of the PHY. This should be done with a frequency counter with an accuracy of six digits or better.

8 Power Management Considerations

8.1 Active State Power Management Information

The PCI Express interface on the XIO2213A has the ability to automatically reduce power when there is no queued bus activity. Once this feature is enabled by software, the XIO2213A device automatically transitions into and out of a low-power state. The XIO2213A supports both the L0's and L1 active state power management (ASPM) requirements.

In the PCI Express link capabilities registers, two 3-bit exit latency fields specify the latency time required for the bridge to transition from either the L0's or L1 state back to the L0 state. In the PCI Express device capabilities register, two 3-bit acceptable latency fields specify the maximum latency time that the bridge will tolerate for the attached upstream PCI Express device to transition from either the L0's or L1 state back to the L0 state. The acceptable latency fields are an indirect measure of the bridge's internal buffering.

Power management software uses the reported acceptable latency number to compare against the exit latencies reported by all components physically located on the PCI-Express link between the Bridge and the Root Complex to determine whether ASPM entry can be used with no significant impact to system performance.

8.2 PCI Bus Power Override Information

System software has the ability to manually reduce power on the secondary PCI bus using the bridge's power override feature. During system initialization, XIO2213A configuration registers must be loaded with system specific power information and power override instructions. After this initial setup, the PCI Express set slot power limit message may be used to either enable or disable the power override feature.

During system initialization the following configuration register fields are loaded. These fields are loaded by either the BIOS or serial EEPROM.

1. The general control register contains MIN_POWER_SCALE and MIN_POWER_VALUE fields that are loaded with the power information associated with the XIO2213A.
2. The general control register contains a POWER_OVRD field that is loaded with the secondary PCI bus power override option.
3. The power override option is initialized associated with responding to all transactions with unsupported request except for configuration transactions and set slot power limit messages.

After the previously described initialization procedure, the PCI Express set slot power limit message may be used to either enable or disable the power override feature. If the scale and value power information in the PCI Express message is less than the general control register SCALE and VALUE fields, then the power override feature is enabled. If the scale and value power information in the PCI Express message is equal to or greater than the SCALE and VALUE fields, then the power override feature is disabled.

9 Reference Schematics

The following reference schematics show the basic implementation of the XIO2213AZAY. Note that the reference schematic in Figure 4 is for the XIO2213AZAY package pinout; signal names are identical for the XIO2213AZAJ.

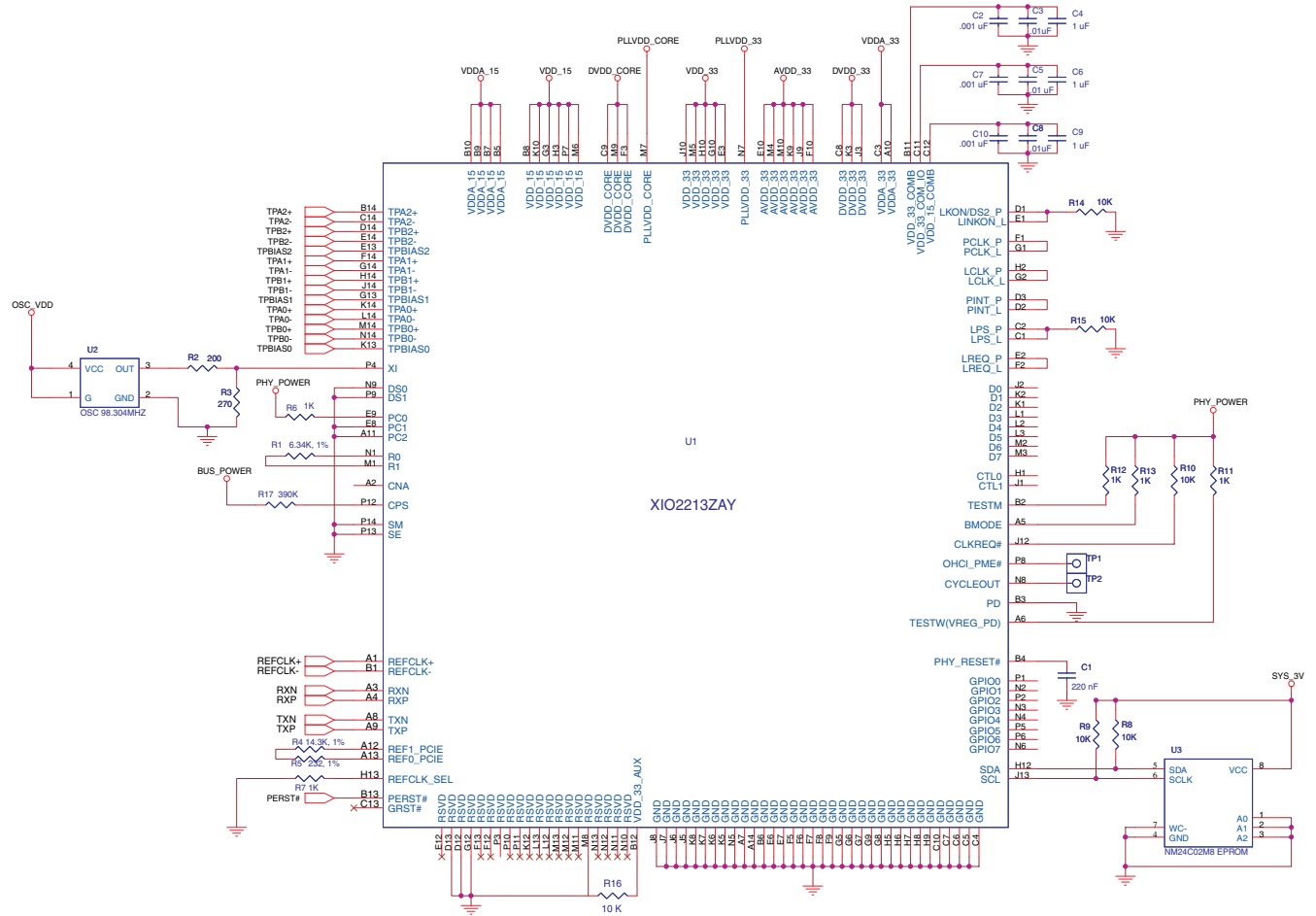


Figure 4. XIO2213AZAY

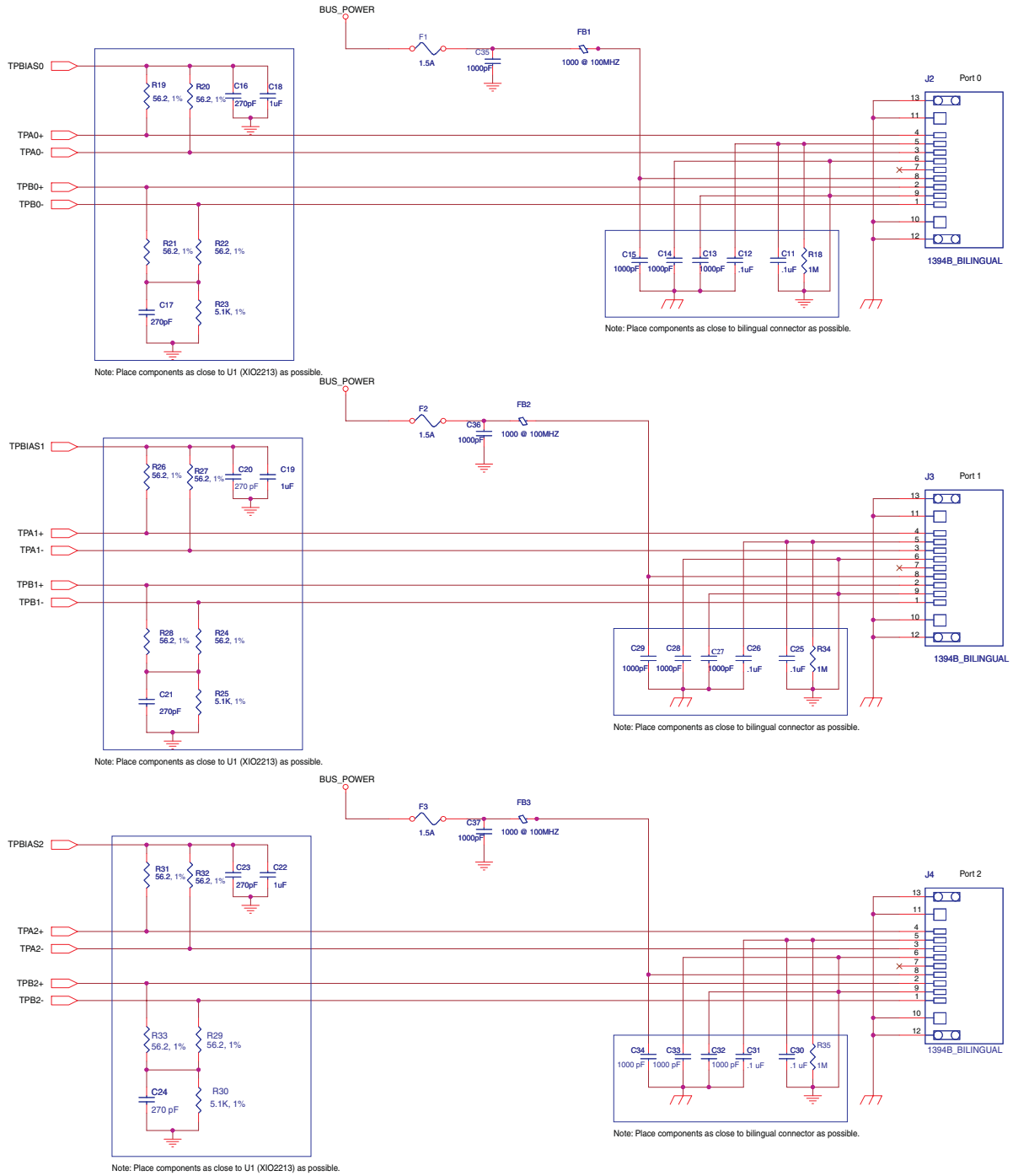
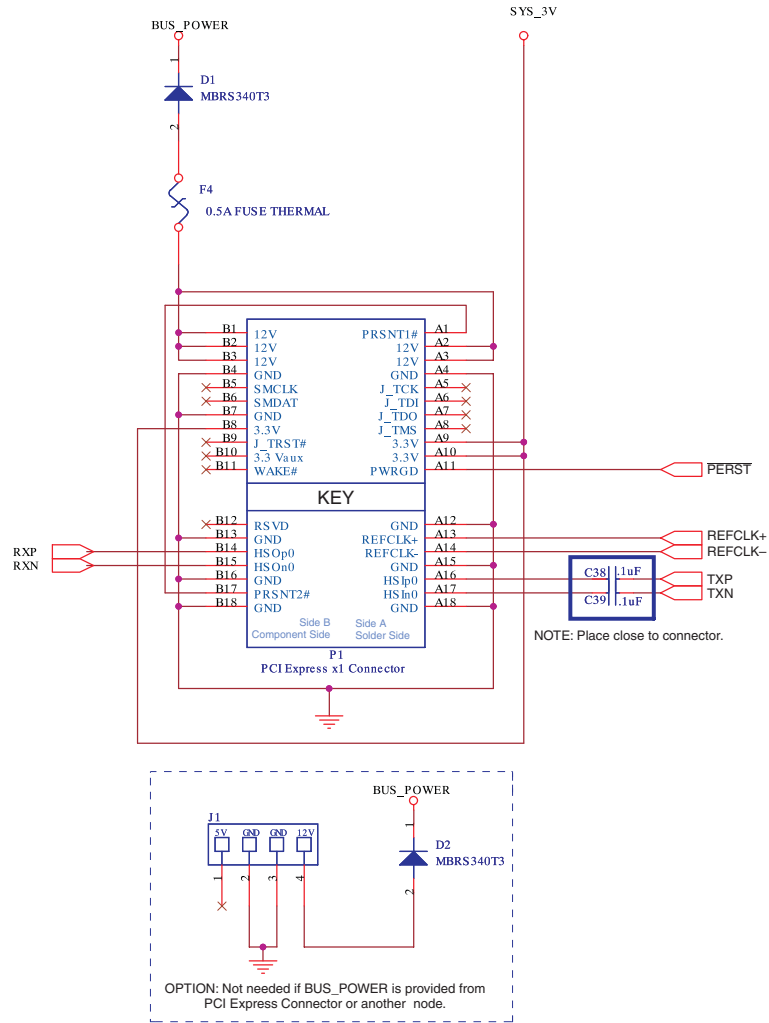


Figure 5. 1394b Connector



NOTE: Differential pair length should be matched to 5 mils

Figure 6. PCI Express Connector – BUS Pwr Option

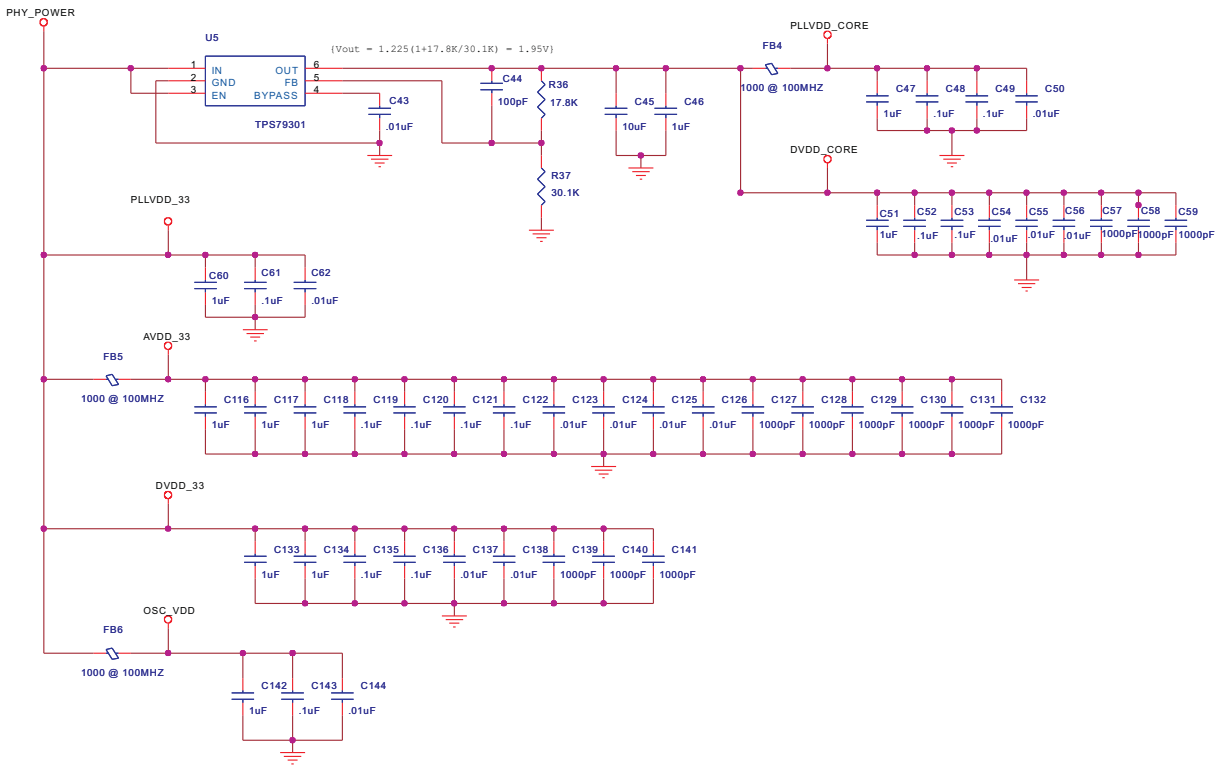


Figure 7. 1.95-V Power Rail

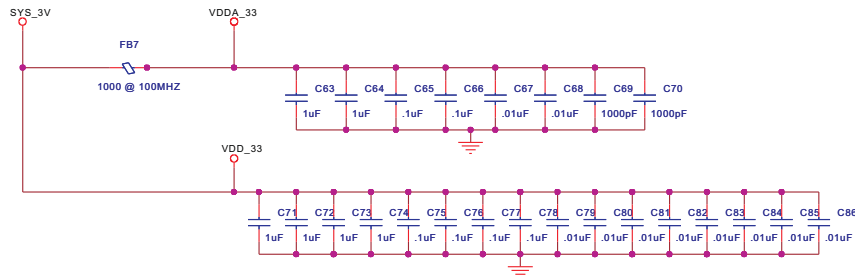


Figure 8. 3.3-V Power Rail

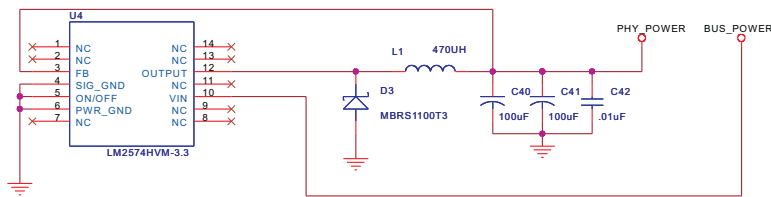


Figure 9. 1394 PHY Power Rail

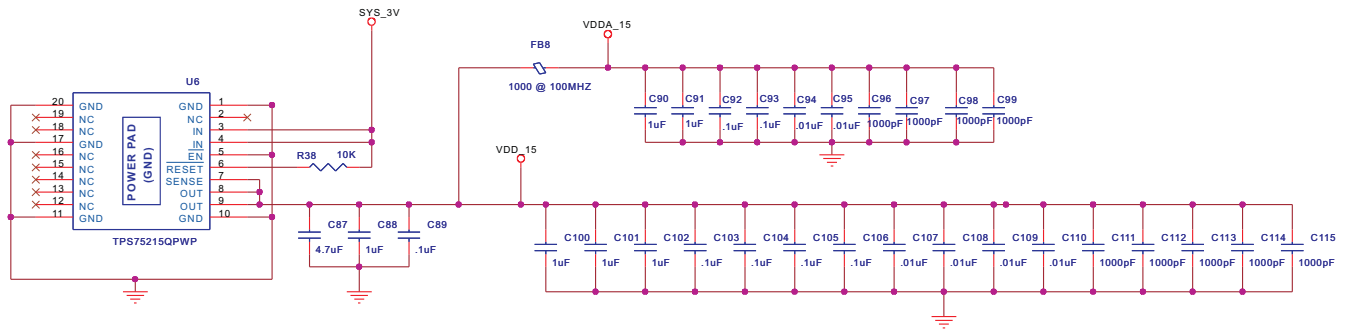


Figure 10. 1.5-V Power Rail

10 Reference Documents

1. *PCI Express to PCI/PCI-X Bridge Specification*, Revision 1.0
2. *PCI Express Base Specification*, Revision 1.1
3. *PCI Express Card Electromechanical Specification*, Revision 1.1
4. *PCI Local Bus Specification*, Revision 2.3 and 3.0
5. *PCI-to-PCI Bridge Architecture Specification*, Revision 1.1
6. *PCI Bus Power Management Interface Specification*, Revision 1.1 and 1.2
7. *1394 Open Host Controller Interface Specification* (Release 1.2)
8. *IEEE Standard for a High Performance Serial Bus* (IEEE Std 1394-1995)
9. *IEEE Standard for a High Performance Serial Bus—Amendment 1* (IEEE Std 1394a-2000)
10. *IEEE Standard for a High Performance Serial Bus—Amendment 2* (IEEE Std 1394b-2002)
11. *P1394b Draft Standard for High Performance Serial Bus (Supplement)*
12. *PCI Mobile Design Guide*, Revision 1.1
13. *ExpressCard Standard*, Release 1.0 and 1.1

IMPORTANT NOTICE

Texas Instruments Incorporated and its subsidiaries (TI) reserve the right to make corrections, modifications, enhancements, improvements, and other changes to its products and services at any time and to discontinue any product or service without notice. Customers should obtain the latest relevant information before placing orders and should verify that such information is current and complete. All products are sold subject to TI's terms and conditions of sale supplied at the time of order acknowledgment.

TI warrants performance of its hardware products to the specifications applicable at the time of sale in accordance with TI's standard warranty. Testing and other quality control techniques are used to the extent TI deems necessary to support this warranty. Except where mandated by government requirements, testing of all parameters of each product is not necessarily performed.

TI assumes no liability for applications assistance or customer product design. Customers are responsible for their products and applications using TI components. To minimize the risks associated with customer products and applications, customers should provide adequate design and operating safeguards.

TI does not warrant or represent that any license, either express or implied, is granted under any TI patent right, copyright, mask work right, or other TI intellectual property right relating to any combination, machine, or process in which TI products or services are used. Information published by TI regarding third-party products or services does not constitute a license from TI to use such products or services or a warranty or endorsement thereof. Use of such information may require a license from a third party under the patents or other intellectual property of the third party, or a license from TI under the patents or other intellectual property of TI.

Reproduction of TI information in TI data books or data sheets is permissible only if reproduction is without alteration and is accompanied by all associated warranties, conditions, limitations, and notices. Reproduction of this information with alteration is an unfair and deceptive business practice. TI is not responsible or liable for such altered documentation. Information of third parties may be subject to additional restrictions.

Resale of TI products or services with statements different from or beyond the parameters stated by TI for that product or service voids all express and any implied warranties for the associated TI product or service and is an unfair and deceptive business practice. TI is not responsible or liable for any such statements.

TI products are not authorized for use in safety-critical applications (such as life support) where a failure of the TI product would reasonably be expected to cause severe personal injury or death, unless officers of the parties have executed an agreement specifically governing such use. Buyers represent that they have all necessary expertise in the safety and regulatory ramifications of their applications, and acknowledge and agree that they are solely responsible for all legal, regulatory and safety-related requirements concerning their products and any use of TI products in such safety-critical applications, notwithstanding any applications-related information or support that may be provided by TI. Further, Buyers must fully indemnify TI and its representatives against any damages arising out of the use of TI products in such safety-critical applications.

TI products are neither designed nor intended for use in military/aerospace applications or environments unless the TI products are specifically designated by TI as military-grade or "enhanced plastic." Only products designated by TI as military-grade meet military specifications. Buyers acknowledge and agree that any such use of TI products which TI has not designated as military-grade is solely at the Buyer's risk, and that they are solely responsible for compliance with all legal and regulatory requirements in connection with such use.

TI products are neither designed nor intended for use in automotive applications or environments unless the specific TI products are designated by TI as compliant with ISO/TS 16949 requirements. Buyers acknowledge and agree that, if they use any non-designated products in automotive applications, TI will not be responsible for any failure to meet such requirements.

Following are URLs where you can obtain information on other Texas Instruments products and application solutions:

Products

| | |
|-----------------------------|--|
| Amplifiers | amplifier.ti.com |
| Data Converters | dataconverter.ti.com |
| DLP® Products | www.dlp.com |
| DSP | dsp.ti.com |
| Clocks and Timers | www.ti.com/clocks |
| Interface | interface.ti.com |
| Logic | logic.ti.com |
| Power Mgmt | power.ti.com |
| Microcontrollers | microcontroller.ti.com |
| RFID | www.ti-rfid.com |
| RF/IF and ZigBee® Solutions | www.ti.com/lprf |

Applications

| | |
|--------------------|--|
| Audio | www.ti.com/audio |
| Automotive | www.ti.com/automotive |
| Broadband | www.ti.com/broadband |
| Digital Control | www.ti.com/digitalcontrol |
| Medical | www.ti.com/medical |
| Military | www.ti.com/military |
| Optical Networking | www.ti.com/opticalnetwork |
| Security | www.ti.com/security |
| Telephony | www.ti.com/telephony |
| Video & Imaging | www.ti.com/video |
| Wireless | www.ti.com/wireless |

Mailing Address: Texas Instruments, Post Office Box 655303, Dallas, Texas 75265
Copyright © 2009, Texas Instruments Incorporated