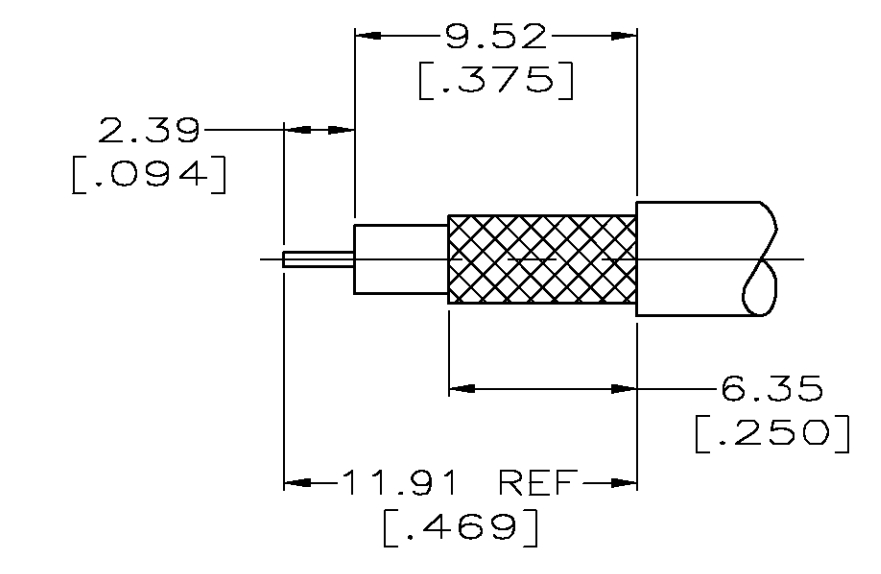
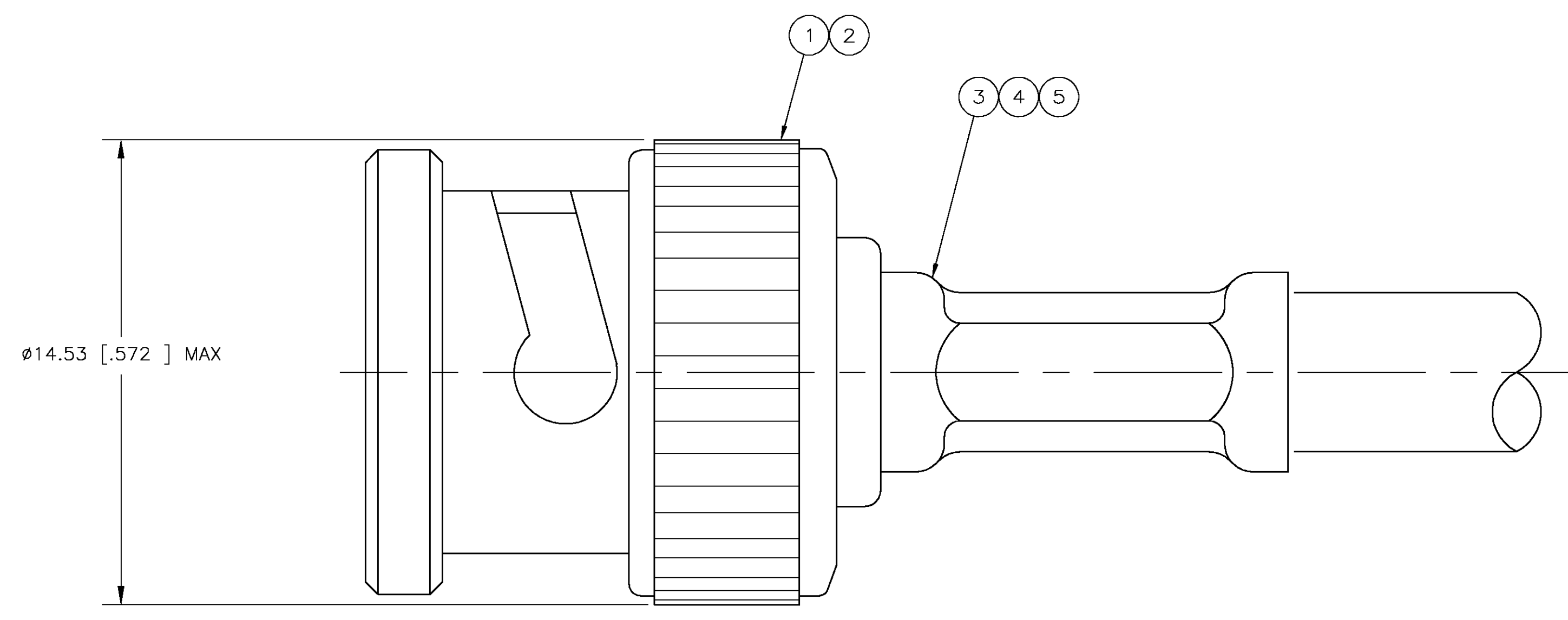
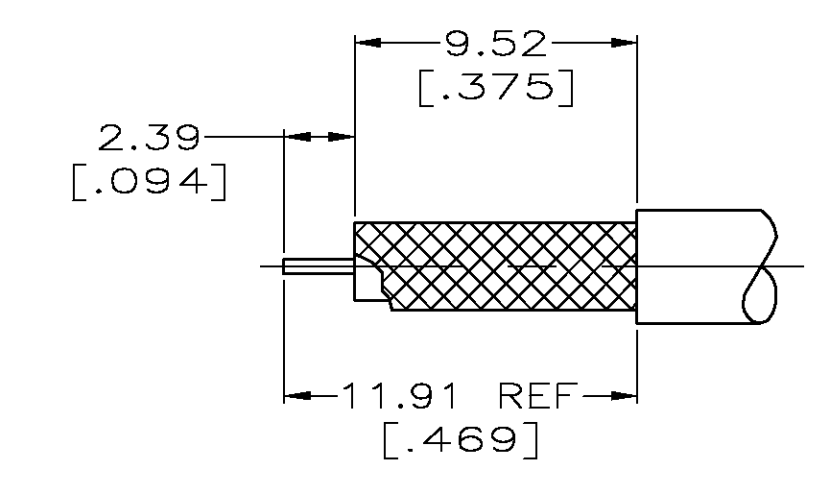


- △ USE PRO-CRIMPER II: 354940-1
- 2. USE INSTRUCTION SHEET 9766
- △ SPECIAL PACKAGING: BULK PACKAGE 25 PIECES
- △ SPECIAL PACKAGING: BULK PACKAGE 100 PIECES



RECOMMENDED STRIP LENGTH
SCALE 4:1



RECOMMENDED STRIP LENGTH
SCALE 4:1
(FOR 413589-5 AND 1-413589-2 ONLY)

△	CUSTOM CABLE: C/C= $\phi 0.021$, DIELECTRIC= $\phi 0.122$, JACKET= $\phi 0.173$	1.07 [.042]	5.41 [.213]	852922-1	-	-	221132-3	1-413657-0	413653-5	2-413589-1
OBSOLETE	MONTRÖSE 8466-3 AND 8299-3	1.07 [.042]	5.41 [.213]	852922-1	-	-	221132-3	1-413657-2	413653-5	1-413589-8
△	BELDEN 8218 AND JIS 2.5C-2V	1.07 [.042]	4.52 [.178]	852922-2	-	-	3-221132-3	413657-4	413653-2	1-413589-7
△	BELDEN 8218 AND JIS 2.5C-2V	1.07 [.042]	4.52 [.178]	852922-2	-	-	3-221132-3	413657-4	413653-2	1-413589-6
△	JIS 2.5C-2W	1.07 [.042]	5.41 [.213]	852922-1	-	-	221132-3	413657-4	413653-2	1-413589-5
△	JIS 3C-2W	1.07 [.042]	6.48 [.255]	852922-1	-	-	3-221132-6	1-413657-0	413653-6	1-413589-4
△	AT&T KS 19224 L2 CABLE AND JIS 1.5C-XV	1.07 [.042]	4.52 [.178]	852922-2	227194-2	222001-4	413658-6	413657-6	413653-2	1-413589-3
△	BELDEN 8281, 9231 & AT&T 728 AND JIS 5C-2V	1.07 [.042]	8.23 [.324]	852922-3	-	-	221132-9	413657-8	413653-3	1-413589-2
△	JIS 3C-2V	1.07 [.042]	5.41 [.213]	852922-1	-	-	2-221132-6	1-413657-0	413653-5	1-413589-1
△	AT&T 735A C/C= $\phi 0.016$, DIELECTRIC= $\phi 0.077$, JACKET= $\phi 0.130$	1.07 [.042]	4.52 [.178]	852922-2	-	-	413658-6	413657-4	413653-2	1-413589-0
△	RG-59 TYPE WITH .031 DIA CENTER CONTACT, BELDEN 9266, 9240 & 9259	1.07 [.042]	6.48 [.255]	852922-1	-	-	221132-6	413657-8	413653-1	413589-9
△	RG-179/U, 179A/U, 179B/U, 187/U & 187A/U	1.07 [.042]	4.52 [.178]	852922-2	227194-2	222001-4	413658-9	413657-6	413653-2	413589-8
△	AT&T 734A	1.07 [.042]	6.48 [.255]	852922-1	-	-	2-221132-0	413657-8	413653-4	413589-7
△	TIMES RG-59/U, DOUBLE BRAID, .270 OD JACKET	1.07 [.042]	8.23 [.324]	852922-3	-	-	221132-9	413657-2	413653-1	413589-6
△	BELDEN 8281, 9231 & AT&T 728 AND JIS 5C-2V	1.07 [.042]	8.23 [.324]	852922-3	-	-	221132-9	413657-8	413653-3	413589-5
△	AT&T KS 19224 L2 CABLE AND JIS 1.5C-XV	1.07 [.042]	4.52 [.178]	852922-2	227194-2	222001-4	413658-6	413657-6	413653-2	413589-4
△	BELDEN 8218 AND JIS 2.5C-2V	1.07 [.042]	4.52 [.178]	852922-2	-	-	3-221132-3	413657-4	413653-2	413589-3
△	RG-59/U, 59A/U & 59B/U	1.07 [.042]	6.48 [.255]	852922-1	-	-	221132-6	413657-2	413653-1	413589-2
△	BELDEN 88241	1.07 [.042]	6.48 [.255]	852922-1	-	-	413658-3	413657-2	413653-1	413589-1
	FOR USE WITH CABLE	CONTACT CRIMP (SQUARE)	FERRULE CRIMP (HEX)	DIE SET △	⑤ TUBING, PLASTIC QTY=1	④ TUBING QTY=1	③ FERRULE QTY=1	② CONTACT QTY=1	① PLUG ASSY QTY=1	PART NUMBER

THIS DRAWING IS A CONTROLLED DOCUMENT.

DIMENSIONS: INCHES	TOLERANCES UNLESS OTHERWISE SPECIFIED:	0 PLC ± -	1 PLC ± -	2 PLC ± 0.41 [0.016]	3 PLC ± -	4 PLC ± -	ANGLES ± -	FINISH -
--------------------	--	-----------	-----------	----------------------	-----------	-----------	------------	----------

APPROVED: R.E. RUTH 4/30/90	DATE: 4-27-90	DRW: D. LAMAN	CHK: R.E. RUTH
NAME: PLUG, 75 OHM, HEX CRIMP, BNC	SIZE: A1	CAGE CODE: 00779	DRAWING NO: 413589
CUSTOMER DRAWING	SCALE: 8:1	SHEET: 1 OF 1	REV: S

Tyco Electronics Corporation
Middletown, PA 17057