

4

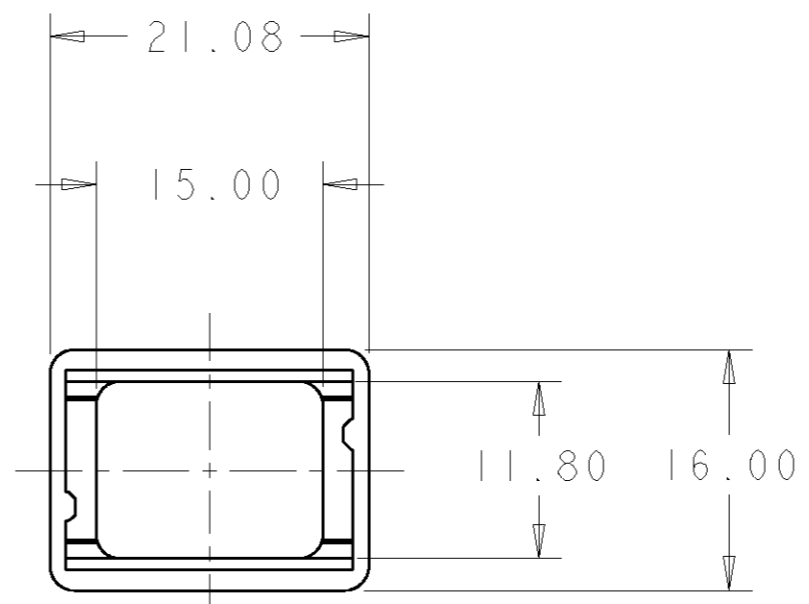
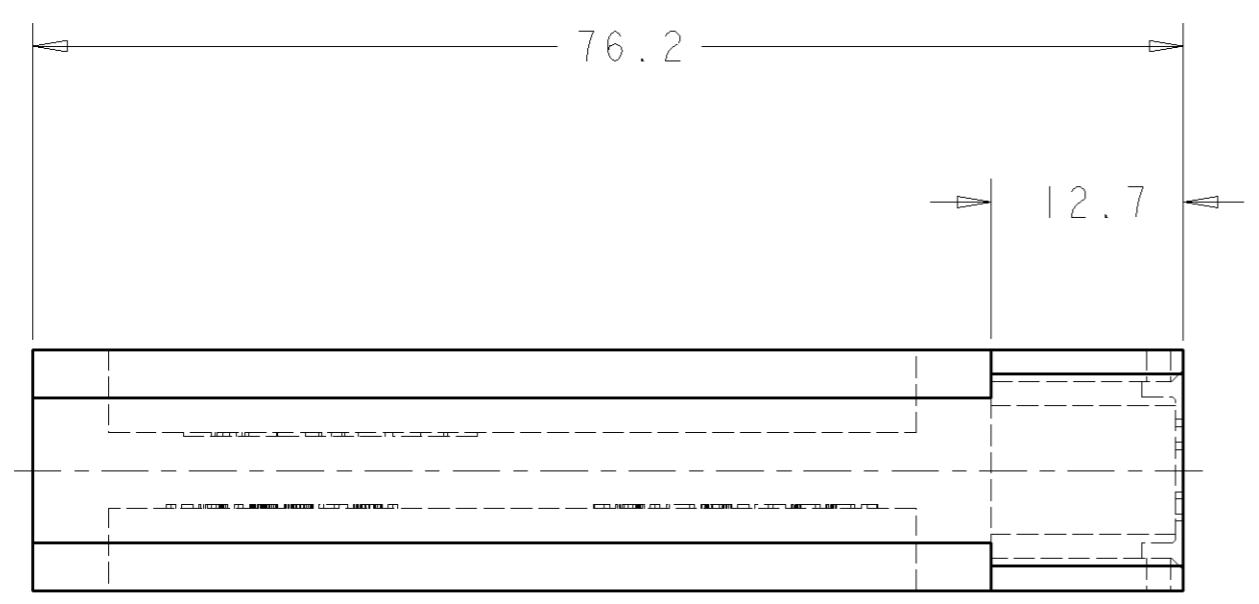
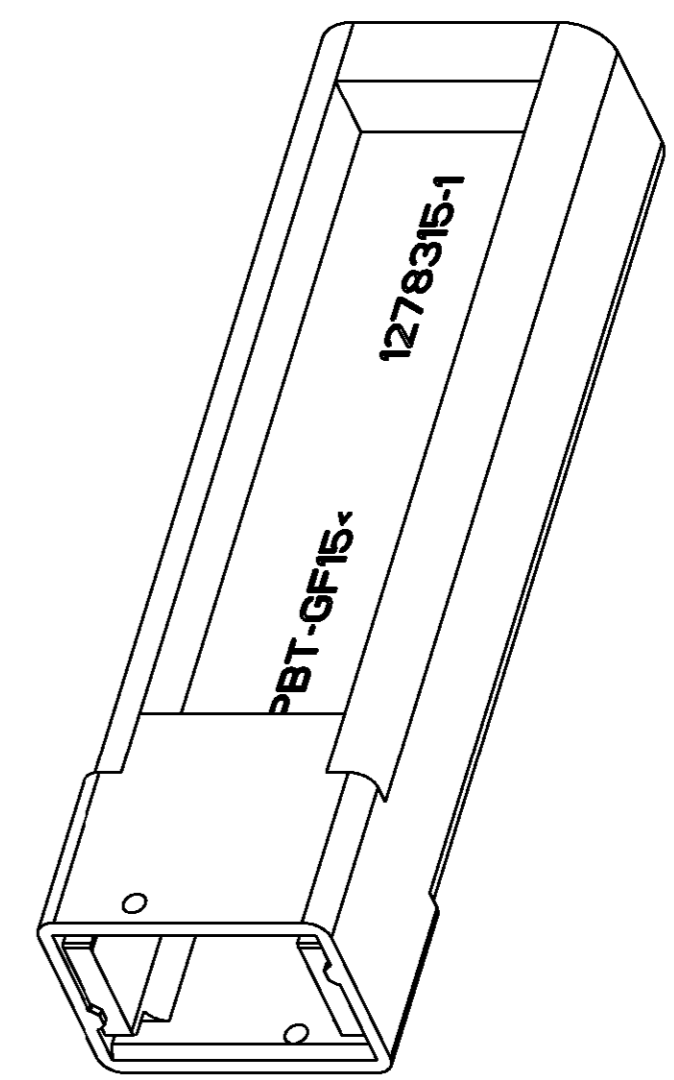
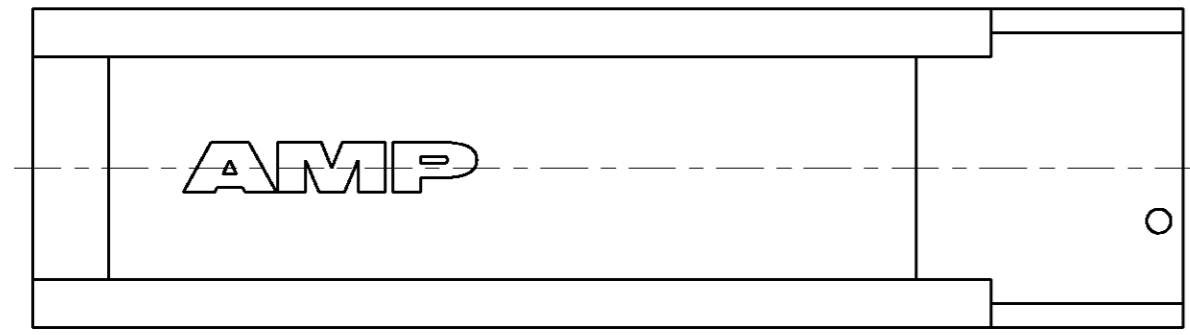
3

2

1

THIS DRAWING IS UNPUBLISHED. RELEASED FOR PUBLICATION
 BY AMP INCORPORATED. ALL RIGHTS RESERVED.

LOC	DIST	REVISIONS					
CE	16	P	LTR	DESCRIPTION	DATE	DWN	APVD
			O	RELEASED PER NPR 98-417	25MAR99	RB	LB
			A	REVISED PER ECN 0A00-0808-99	16SEP99	SH	LB



△ MATERIAL: THERMOPLASTIC; COLOR: BLACK.
 2. TOOL TO BE USED TO INSTALL RETAINING CLIP,
 PART NUMBER 492740-1, ON BACKPLANE HOUSING,
 PART NUMBER 492739-1.

1278315-1
 PART NUMBER

<small>THIS DRAWING IS A CONTROLLED DOCUMENT FOR AMP INCORPORATED. IT IS SUBJECT TO CHANGE AND THE CONTROLLING ENGINEERING ORGANIZATION SHOULD BE CONTACTED FOR THE LATEST REVISION.</small>		DWN R. BUCHEISTER 25MAR99 CHK L. BARKUS 25MAR99 APVD E. ABENDSCHEIN 25MAR99	AMP AMP Incorporated Harrisburg, PA 17105-3608
DIMENSIONS: mm	TOLERANCES UNLESS OTHERWISE SPECIFIED: 0 PLC ± 1 PLC ±0.5 2 PLC ±0.13 3 PLC ±0.013 4 PLC ±0.0001 ANGLES ± FINISH -	PRODUCT SPEC - APPLICATION SPEC - WEIGHT -	NAME TOOL, RETAINING CLIP, BACKPLANE LIGHTRAY MPX SIZE A2 CAGE CODE 00779 DRAWING NO. 1278315 RESTRICTED TO -
MATERIAL △		CUSTOMER DRAWING	SCALE 2:1 SHEET 1 OF 1 REV A