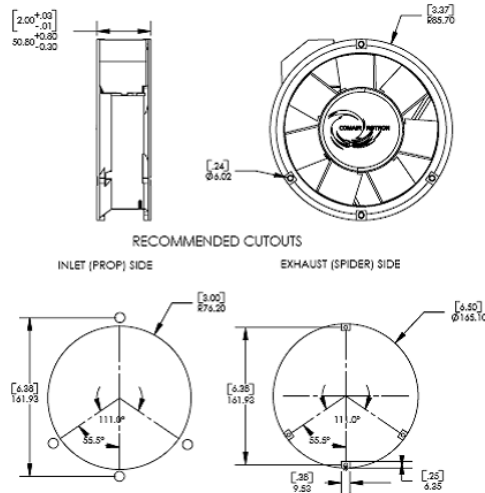


Patriot DC



MECHANICAL DRAWING



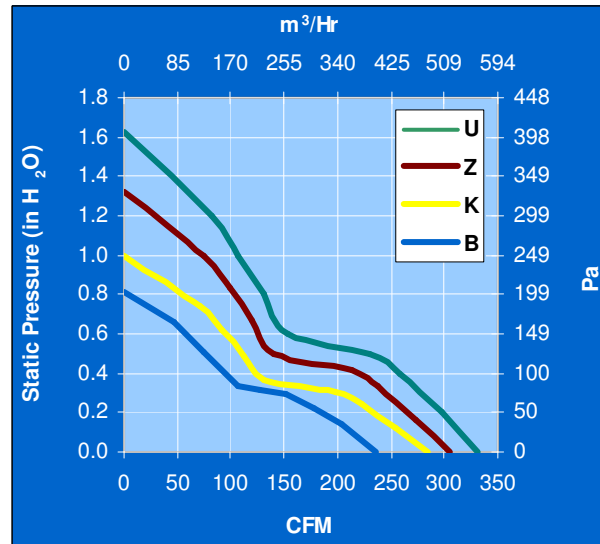
STANDARD FEATURES

- Size: 171.5mm x 50.8mm deep (6.75" x 2.00")
- Operating Temperature: -10°C to +70°C
- Storage Temperature: -40°C to +85°C
- Weight: 840g (1.84 lbs.)
- Dual Ball Bearings
- Venturi: Metal Alloy, Black
- Termination: Lead Wires

BENEFITS

- Outstanding CFM Performance in High Pressure Systems
- Dependability with an 18 Month Warranty
- Extended Bearing Life
- Feature Flexibility with Digital Design
- Available with Standard Open Collector Tachometer and PWM

PERFORMANCE GRAPH



172 X 51 mm

Model Number	Rated Voltage	Operating Voltage Range	Rated Current	Rated Input Power	Speed RPM	Rated Airflow		Rated Air Pressure		Noise dBA
	VDC	VDC	Amps	Watts		CFM	m ³ /Hr	in H ₂ O	Pa	
PQ12B	12	6 - 14	2.17	26	3500	235	399	0.81	202	54
PQ24B	24	16 - 32	0.83	20	3500	235	399	0.81	202	54
PQ48B	48	28 - 72	0.42	20	3500	235	399	0.81	202	54
PQ24K	24	16 - 32	1.80	43	4200	285	484	1.2	290	58
PQ48K	48	28 - 72	0.90	43	4200	285	484	1.2	290	58
PQD24Z	24	16 - 32	1.30	32	4502	305	518	1.5	368	60
PQD48Z	48	28 - 72	0.67	32	4502	305	518	1.5	368	60
PQD24U	24	16 - 32	1.70	41	4830	330	564	1.7	423	64
PQD48U	48	28 - 72	0.85	41	4830	330	564	1.7	423	64

COMAIR ROTRON, INC

8929 Terman Court, San Diego, CA 92121
 Ph (858) 348-6200 Fax (858) 566-4577
 E-mail: sales@comairrotron.com,
 Web: www.comairrotron.com



approvals pending