



SPECIFICATION
FOR ELECTRO-MAGNET TRANSDUCER

TOTAL PAGE 07 www.be-star.com RoHS

Customer		Model Name	BMT1612XH14 LF
Customer P/N		Product No.	020301
Date	22 Apr.2019	Issue No.	BS/TET01.088C1
Page	01 of 07	Issue Date	2019/04/22

Approval:

- 1.Characteristics
- 2.Dimension
- 3.Reliability Test
- 4.Packing
- 5.Notice
- 6.History change record

Drawn by	Checked by	Approved by	Customer approved
包丽萍	李梅芳	徐 波	

BESTAR HOLDING CO.,LTD

No.199 HuangHe West Road,New district,ChangZhou,JiangSu Province,P.R.China

Tel: +86 519 88222567 **Fax:** +86 519 88222551

E-mail:wu@be-star.com **http://**www.be-star.com

BMT1612XH14 LF

1.Characteristics

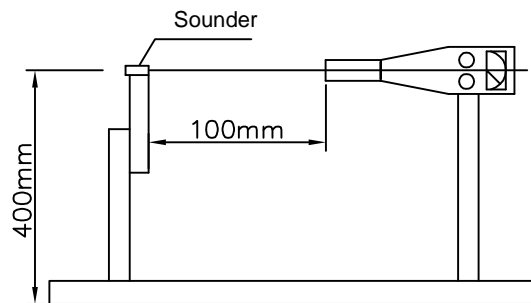
1.1Technical terms

No.	Item	Specification
1.	Operating Voltage (VDC)	8...15V
2.	Rated Voltage(VDC)	12V
3.	a)Sound Output Level at 10cm	min.88dB
4.	a)Rated Current	max.30mA
5.	a)Resonant Frequency	2300±300Hz
6.	b)Response Time	max.50 ms
7.	Operating Temperature	-40...+85°C
8.	Storage Temperature	-40...+85°C
9.	Weight	7g
a)Value applying rated voltage(DC)		
b)Value applying (Min.operating DC voltage)		

1.2 Test method:

Standard text Fixture

No reaction in space with in 400mm in all direction

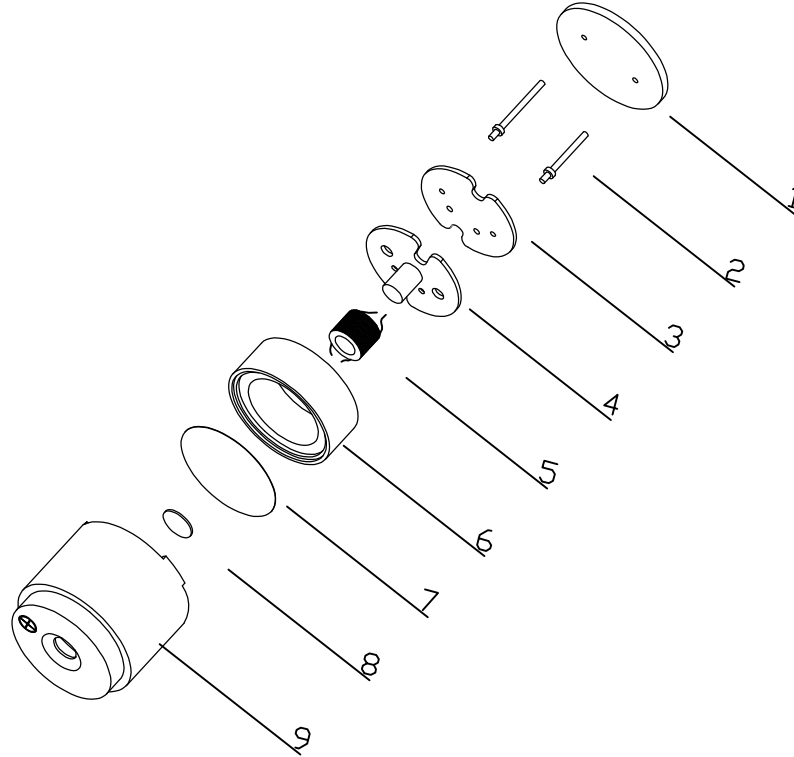


This print and information there in are proprietary to BeStar Holding Co., Ltd. and shall not be used in whole or in part without its written content

D	19/04/22	包丽萍		Date:	19/04/22	BMT1612XH14 LF	
C	09/03/12	魏奉玲		Drawn by:	包丽萍		
B	06/05/06	宋文娟		Checked by:	李梅芳	Transducer	
Rev.	Date	Drawn	Note	Approved by:	徐波		
BESTAR HOLDING CO.,LTD						DRG NO: BS/TET01.088C1	Page:2 of 7
www.be-star.com wu@be-star.com							

BMT1612XH14 LF

1.3 Part List



No	Part Name	Material
1.	Epoxy(black)	Two-component
2.	Pin	Brass H62
3.	PCB	Epoxy+Cu
4.	T-Yoke	DT4E+SPCC
5.	Voice coil	Cu
6.	Magnet ring	Magnetic plastic
7.	Membrane	1J50
8.	Weight piece	SPCC
9.	Housing(black)	PBT+15%Glass

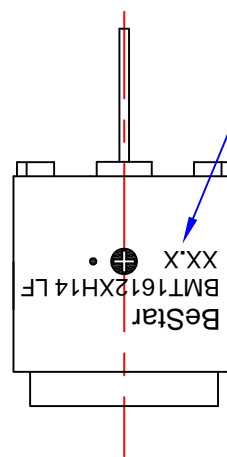
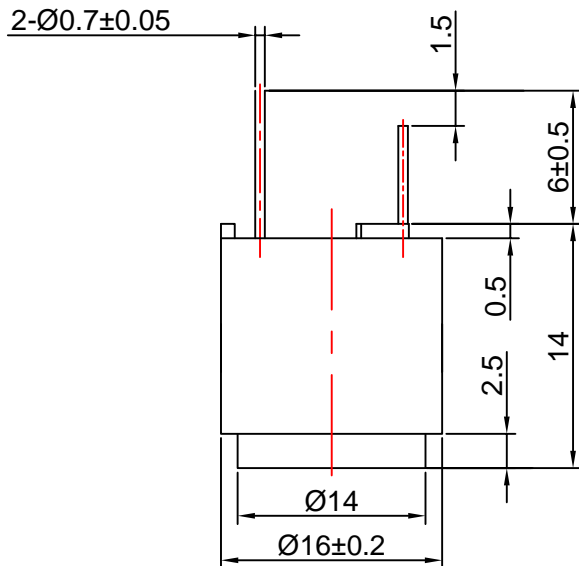
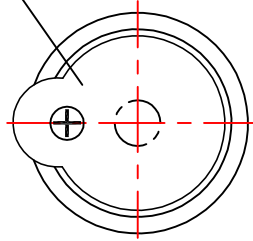
This print and information there in are proprietary to BeStar Holding Co., Ltd. and shall not be used in whole or in part without its written content

D	19/04/22	包丽萍		Date:	19/04/22	BMT1612XH14 LF	
C	09/03/12	魏奉玲		Drawn by:	包丽萍		
B	06/05/06	宋文娟		Checked by:	李梅芳	Transducer	
A	Rev.	Date	Drawn	Note	Approved by:		徐波
BESTAR HOLDING CO.,LTD						DRG NO: BS/TET01.088C1	Page:3 of 7
www.be-star.com wu@be-star.com							

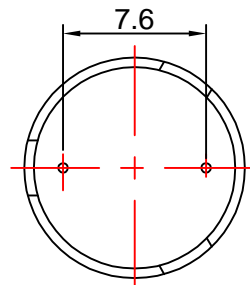
BMT1612XH14 LF

2.Dimension

masking label



Remark:
Color of printing:golden
"XX.X" means "year.month"
E.g : Apr, 2018 is "18.D"



Tolerance:±0.3 Unit:mm

This print and information there in are proprietary to BeStar Holding Co., Ltd. and shall not be used in whole or in part without its written content

D	19/04/22	包丽萍		Date:	19/04/22	BMT1612XH14 LF	
C	09/03/12	魏奉玲		Drawn by:	包丽萍		
B	06/05/06	宋文娟		Checked by:	李梅芳	Transducer	
Rev.	Date	Drawn	Note	Approved by:	徐波		
BESTAR HOLDING CO.,LTD						DRG NO: BS/TET01.088C1	Page:4 of 7
www.be-star.com wu@be-star.com							

BMT1612XH14 LF

3. Reliability test

3.1 high temperature test

Temperature **+85° C**
Duration **96hrs**

3.2 low temperature test

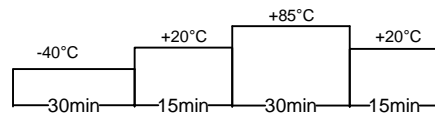
Temperature **-40° C**
Duration **96hrs**

3.3 life test in normal temperature

Power supply **rated voltage**
Duration **1000hrs**

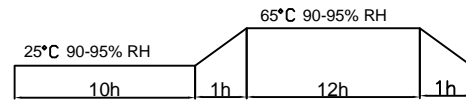
3.4 temperature cycle test

Cycles **5**



3.5 Humidity cycle test

cycles **10**



all these tests above should be measured after leaving normal temperature for 2hrs.

3.6 Drop test

Height **70cm**
(to 10mm thickness woodenboard)
Direction **3**

3.7 Solderability test

Solderability temperature **255±5° C**
Heat applying time **3±0.5sec**

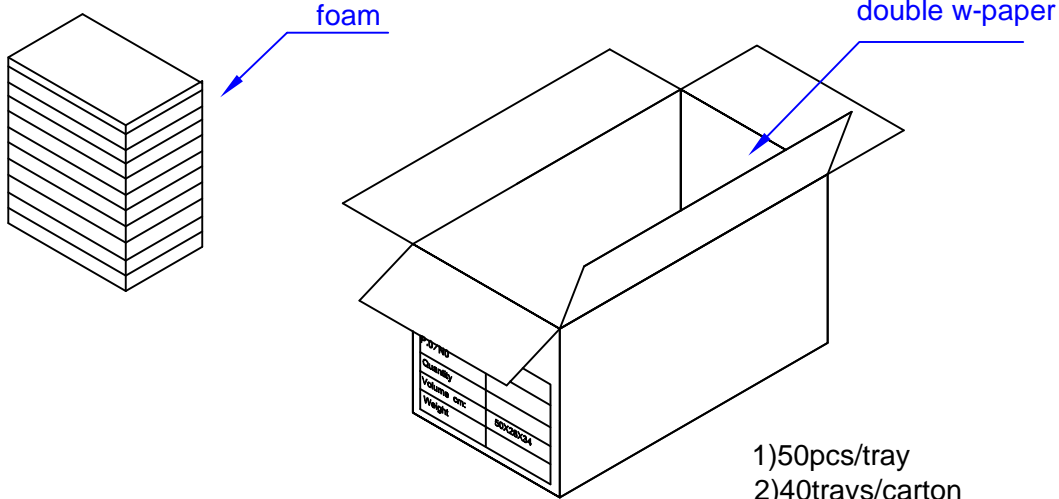
Notice: All specification must be satisfied in this condition except SPL.SPL shall be 80dB or more

This print and information there in are proprietary to BeStar Holding Co., Ltd. and shall not be used in whole or in part without its written content

D	19/04/22	包丽萍		Date:	19/04/22	BMT1612XH14 LF	
C	09/03/12	魏奉玲		Drawn by:	包丽萍		
B	06/05/06	宋文娟		Checked by:	李梅芳	Transducer	
Rev.	Date	Drawn	Note	Approved by:	徐波		
BESTAR HOLDING CO.,LTD						DRG NO: BS/TET01.088C1	Page:5 of 7
www.be-star.com wu@be-star.com							

BMT1612XH14 LF

4. Packing



- 1)50pcs/tray
- 2)40trays/carton
- 3)2000 pcs/carton in total
- 4)carton size 50x28x34cm

5. Notice

5.1 The products mustn't be washed

5.2 Storage Condition

The products should be stored in the room ,where the temperature/humidity is stable. And avoid such places where there are large temperature changes. Please store the products at the following conditions:

Temperature: -10 to + 40°C Humidity: 15 to 85% R.H.

5.3 Expire Date on Storage

Expire date (Shelf life) of the products is six months after delivered under the conditions of a sealed and an unopened package. Please use the products within six months after delivered.

If you store the products for a long time (more than six months), use carefully because the products may be degraded in the solderability and/or rusty. Please confirm solderability and characteristics for the products regularly.

5.4 Notice on Product Storage

(1) Please do not store the products in a chemical atmosphere (Acids, Alkali, Bases, Organic gas, Sulfides and so on), because the characteristics may be reduced at quality, and/or be degraded in the solderability due to the storage in a chemical atmosphere.

(2) Please use the products immediately after the package is opened, because the characteristics may be reduced at quality, and/or be degraded in the solderability due to storage under the poor condition.

This print and information there in are proprietary to BeStar Holding Co., Ltd. and shall not be used in whole or in part without its written content

D	19/04/22	包丽萍		Date:	19/04/22	BMT1612XH14 LF	
C	09/03/12	魏奉玲		Drawn by:	包丽萍		
B	06/05/06	宋文娟		Checked by:	李梅芳	Transducer	
Rev.	Date	Drawn	Note	Approved by:	徐波		
BESTAR HOLDING CO.,LTD						DRG NO: BS/TET01.088C1	Page:6 of 7
www.be-star.com wu@be-star.com							

