

4

3

2

1

THIS DRAWING IS UNPUBLISHED.

RELEASED FOR PUBLICATION

,19 .

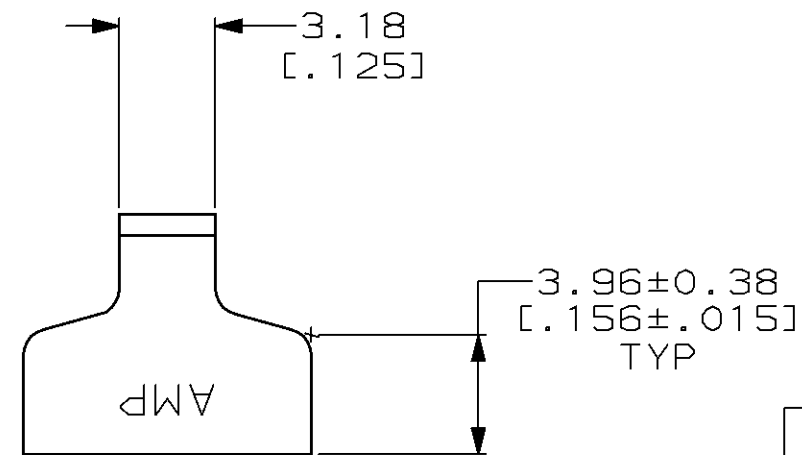
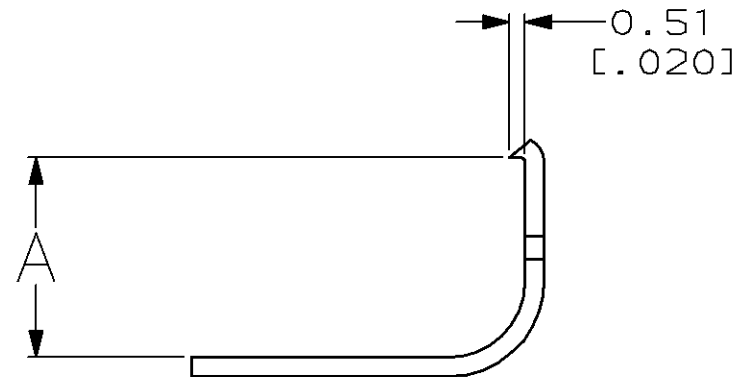
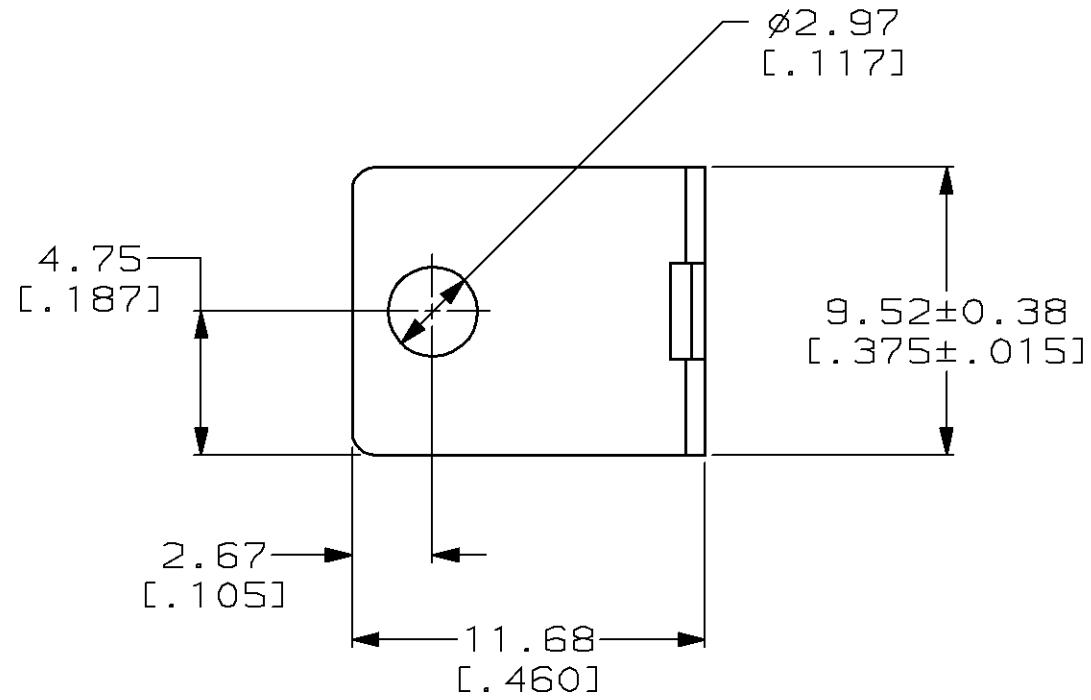
© COPYRIGHT 19

BY AMP INCORPORATED. ALL RIGHTS RESERVED.

LOC FT DIST 8

REVISIONS

P	LTR	DESCRIPTION	DATE	DWN	APVD
	D	REDRAWN W/O CHANGE PER EC 0320-98-96	20 NOV 97	-	-



9.14 [.360]	201918-2
6.60 [.260]	201918-1
A	PART NUMBER

THIS DRAWING IS A CONTROLLED DOCUMENT.		DWN B. CARBO 20 NOV 97	AMP Incorporated Harrisburg, PA 17105-3608															
DIMENSIONS: mm [INCHES]		CHK R. STONE 09 DEC 97																
TOLERANCES UNLESS OTHERWISE SPECIFIED:		APVD G. STEINHAUER 16 DEC 97	NAME SPRING CATCH, LOCKING, 21 & 26 POSITION BLOCK, M SERIES															
<table border="1"> <tr><td>0 PLC</td><td>±-</td></tr> <tr><td>1 PLC</td><td>±-</td></tr> <tr><td>2 PLC</td><td>±0.13 [.005]</td></tr> <tr><td>3 PLC</td><td>±-</td></tr> <tr><td>4 PLC</td><td>±-</td></tr> <tr><td>ANGLES</td><td>±-</td></tr> </table>		0 PLC	±-	1 PLC	±-	2 PLC	±0.13 [.005]	3 PLC	±-	4 PLC	±-	ANGLES	±-	PRODUCT SPEC -	SIZE A3	CAGE CODE 00779	DRAWING NO C-201918	RESTRICTED TO -
0 PLC	±-																	
1 PLC	±-																	
2 PLC	±0.13 [.005]																	
3 PLC	±-																	
4 PLC	±-																	
ANGLES	±-																	
MATERIAL STAINLESS STEEL		FINISH -	WEIGHT -	CUSTOMER DRAWING		SCALE 4:1	SHEET 1 OF 1	REV D										