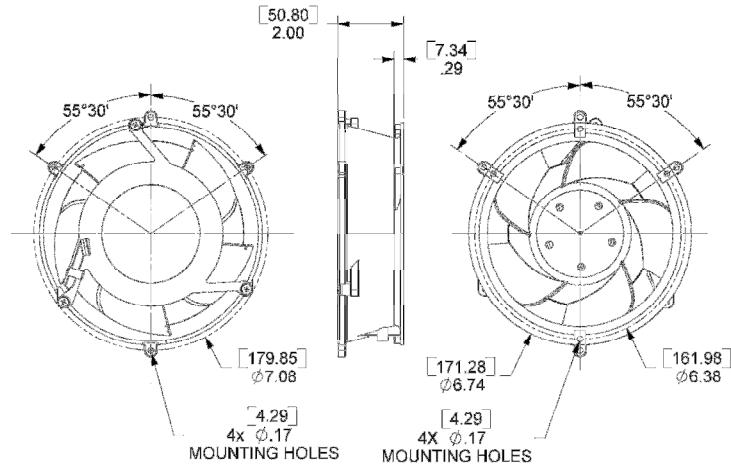


Mixtus 6.8



MECHANICAL DRAWING



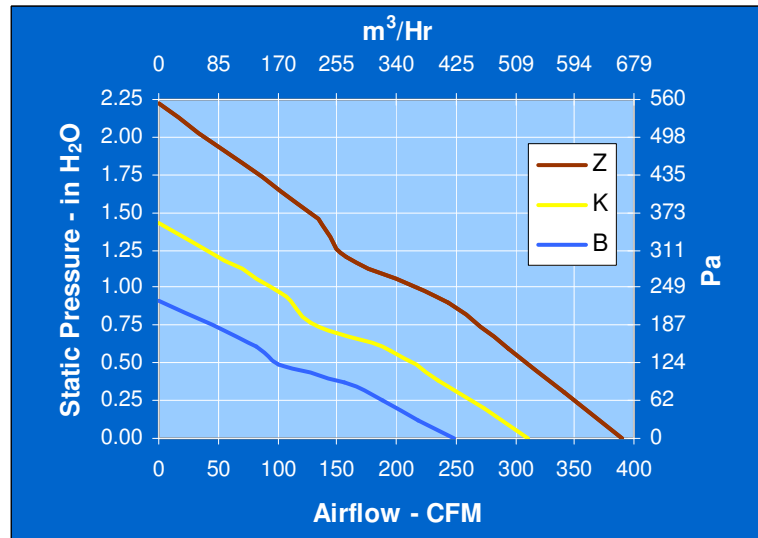
STANDARD FEATURES

- Size: 171.28mm x 50.8mm, 6.74" x 2.00"
- Acoustic: 69.1 dBA
- Nominal Operating Voltage: 36-72 VDC
- Operating Temperature: -10°C to +70°C
- Storage Temperature: -40°C to +80°C
- Permanently Lubricated Ball Bearings
- Termination: Lead Wires
- Two Piece, Die Cast Aluminum Venturi
- 12.0" 20 AWG, UL 1061 Style Leadwires
- Propeller: UL94V-0 PBT

BENEFITS

- High Pressure DC Cooling with multiple configurations to meet customers needs
- Outstanding Airflow
- True Dependability With an 18 Month Warranty
- Expected Life of 50,000 Hours @ 40° C
- High Performance Competitively Priced Fan
- Available Standard with Open Collector Tachometer & PWM

Performance Graph



172 X 51 mm

Model Number	Rated Voltage	Operating Voltage Range	Rated Current	Rated Input Power	Speed	Rated Airflow		Rated Air Pressure		Noise
	VDC	VDC				CFM	m ³ /Hr	in H ₂ O	Pa	
MFX24B	24	16 - 32	1.0	25	3232	250	423	0.91	227	59.4
MFX48B	48	24 - 72	0.5	25	3232	250	423	0.91	227	59.4
MFX24K	24	16 - 32	2.0	49	4040	311	529	1.43	355	64.3
MFX48K	48	24 - 72	1.0	49	4040	311	529	1.43	355	64.3
MFX24Z	24	16 - 32	4.0	96	5050	390	661	2.23	555	69.1
MFX48Z	48	24 - 72	2.0	96	5050	390	661	2.23	555	69.1

COMAIR ROTRON, INC

8929 Terman Court, San Diego, CA 92121
 Ph (858) 348-6200 Fax (858) 566-4577
 E-mail: sales@comairrotron.com,
 Web: www.comairrotron.com

