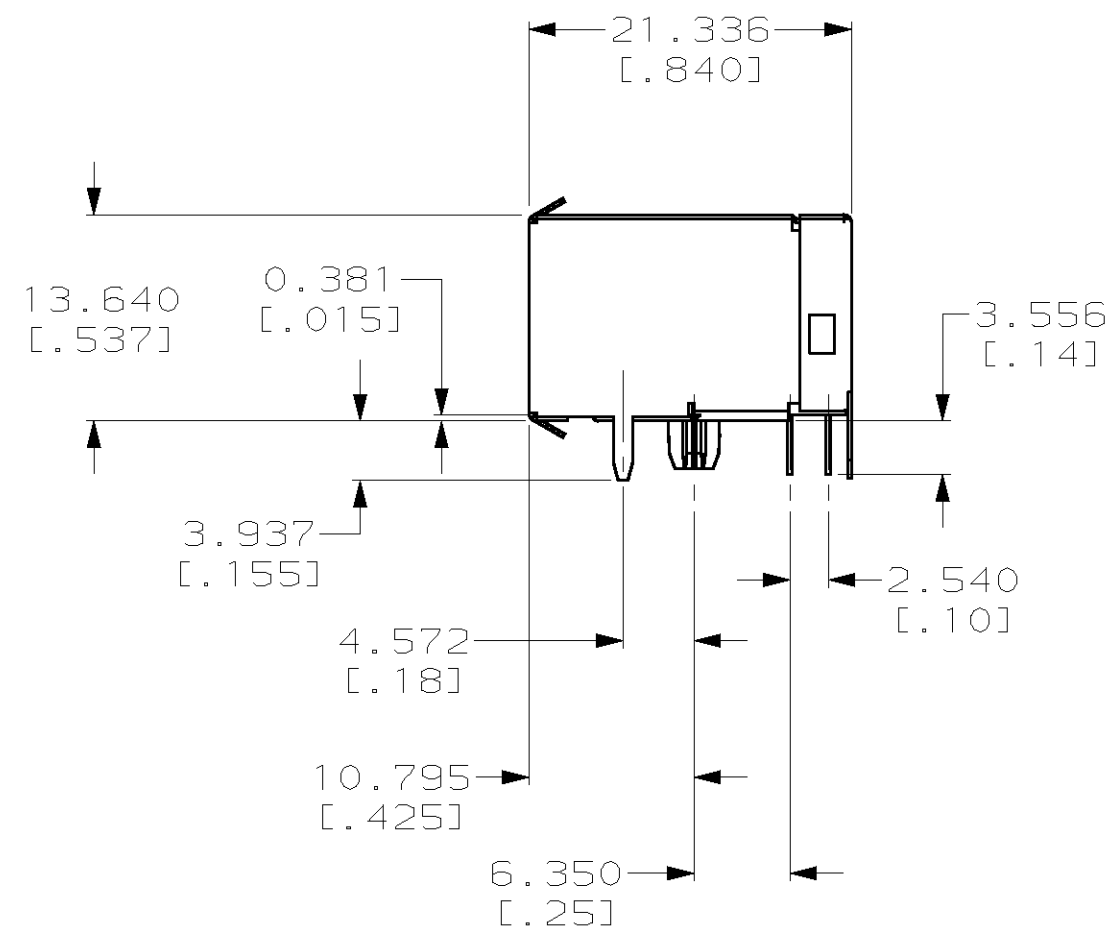
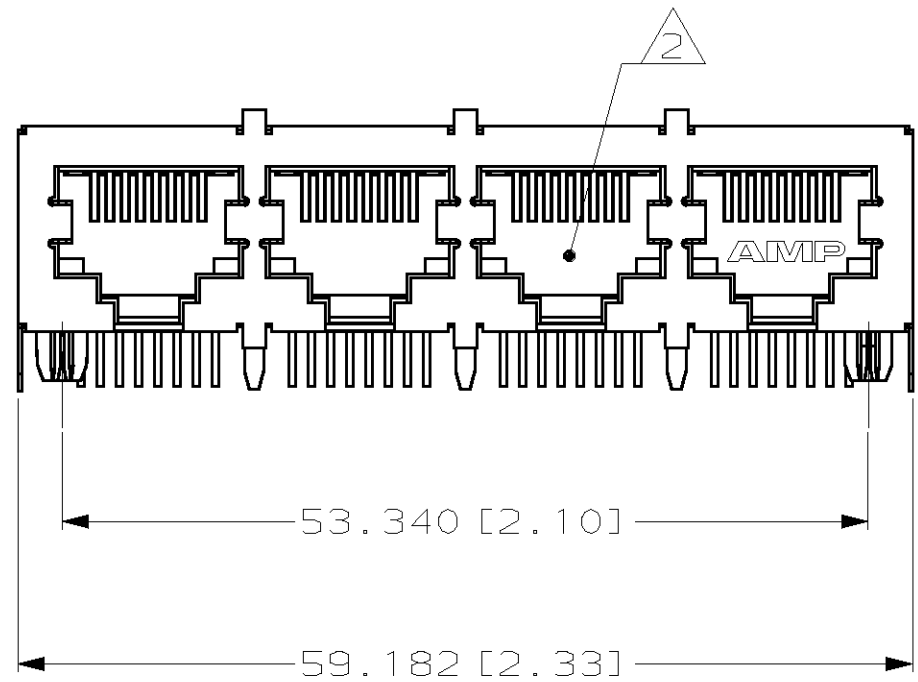
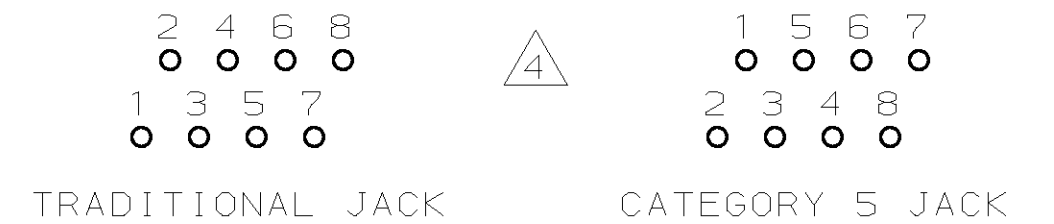
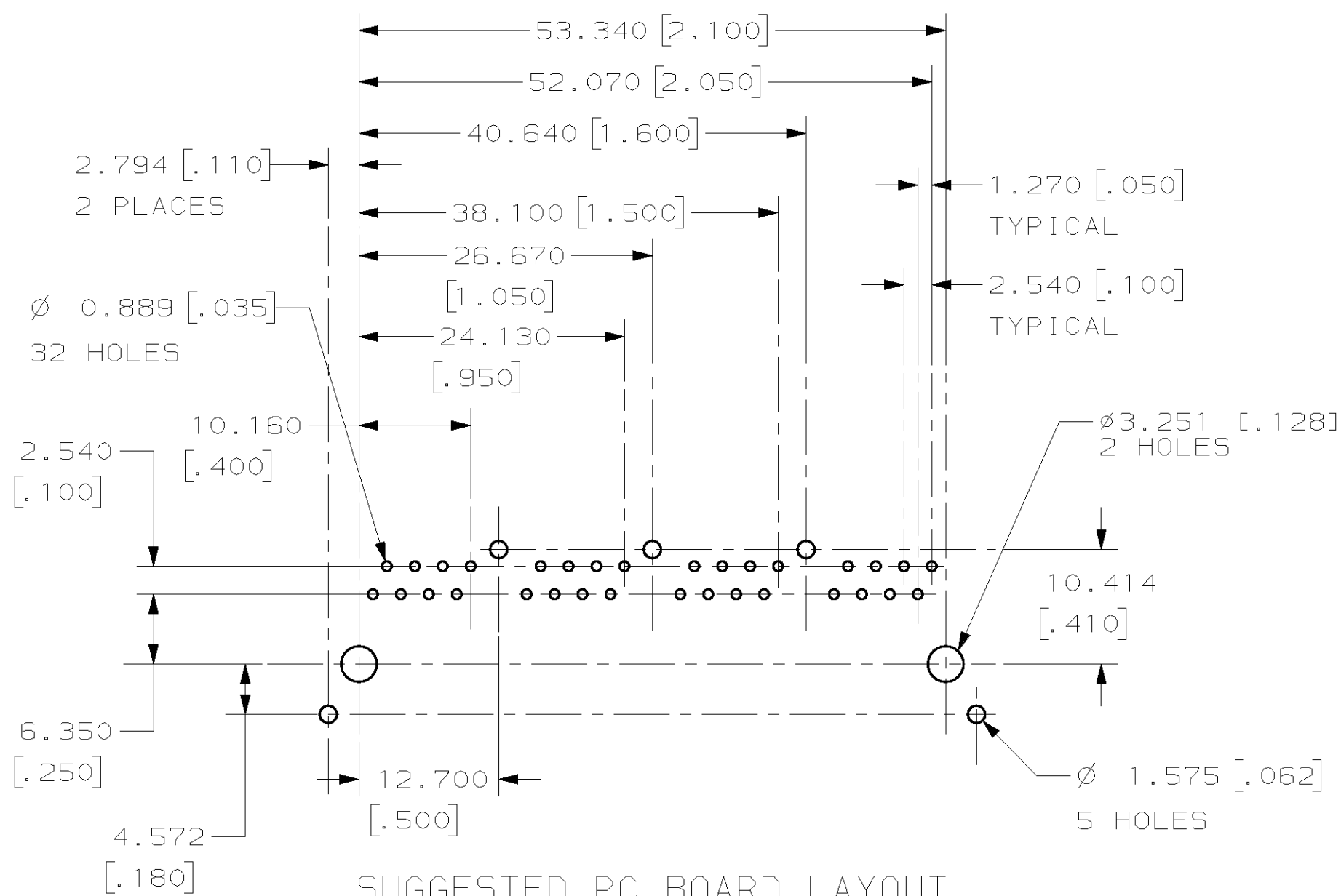


THIS DRAWING IS UNPUBLISHED. RELEASED FOR PUBLICATION .19  
 (C) COPYRIGHT 19 BY AMP INCORPORATED. ALL RIGHTS RESERVED.

| LOC | DIST | REVISIONS   |                      |         |         |
|-----|------|-------------|----------------------|---------|---------|
| P   | LTR  | DESCRIPTION | DATE                 | DWN     | APVD    |
| AA  | 22   | C           | REV; EC 067A-0210-98 | 08FEB99 | DLD CMB |



- 1 MATERIAL: HOUSING - PCT POLYESTER, BLACK, IR COMPATIBLE, UL 94V-0. TERMINALS - 0.33[.013] THICK PH05 BRONZE PLATED WITH 1.27µm[.000050] MINIMUM HARD GOLD ON LOCALIZED AREA AND 3.81µm [.000150] MINIMUM TIN-LEAD IN SOLDER AREA OVER 1.27µm [.000050] MINIMUM NICKEL UNDERPLATE.
- 2 JACK CAVITY CONFORMS TO FCC RULES AND REGULATIONS, PART 68 SUBPART F.
- 3. ALL DIMENSIONS ARE NOMINAL UNLESS OTHERWISE SPECIFIED.
- 4 CAUTION: CATEGORY 5 JACK SOLDER TAIL POSITIONS DO NOT FOLLOW SAME NUMBER SEQUENCE AS THAT OF THE TRADITIONAL JACKS.



SUGGESTED PC BOARD LAYOUT  
 COMPONENT SIDE  
 SEE APPLICATION SPECIFICATION

|   |  |                              |  |                    |
|---|--|------------------------------|--|--------------------|
| THIS DRAWING IS A CONTROLLED DOCUMENT FOR AMP INCORPORATED. IF IS SUBJECT TO CHANGE AND THE CONTROLLING ENGINEERING ORGANIZATION SHOULD BE CONTACTED FOR THE LATEST REVISION. |  | DWN<br>W. LONG<br>3-8-94     | AMP Incorporated<br>Harrisburg, PA 17105-3608  |                    |
| DIMENSIONS:<br>mm [INCHES]  |  | CHK<br>B. FOX<br>3-16-94     | NAME<br>MODULAR JACK ASSEMBLY,<br>PORT, 8 POSITION, RIGHT ANGLE,<br>CATEGORY 5, PC BOARD GROUND SHIELD |                    |
| TOLERANCES UNLESS OTHERWISE SPECIFIED:<br>0 PLC ±-<br>1 PLC ±-<br>2 PLC ±0.25[.01]<br>3 PLC ±0.13[.005]<br>4 PLC ±-<br>ANGLES ±-<br>FINISH                                    |  | APVD<br>G. REED<br>3-16-94   | DRAWING NO.<br>A2 00779 C-558524   |                    |
| MATERIAL  |  | PRODUCT SPEC<br>108-1392     | SIZE<br>A2   | CAGE CODE<br>00779 |
|   |  | APPLICATION SPEC<br>114-2048 | SCALE<br>2:1   | SHEET<br>1 OF 1    |
|   |  | WEIGHT<br>-                  | REV<br>C   |                    |
|   |  | CUSTOMER DRAWING             |  |                    |

558524

558524-1  
 PART NUMBER