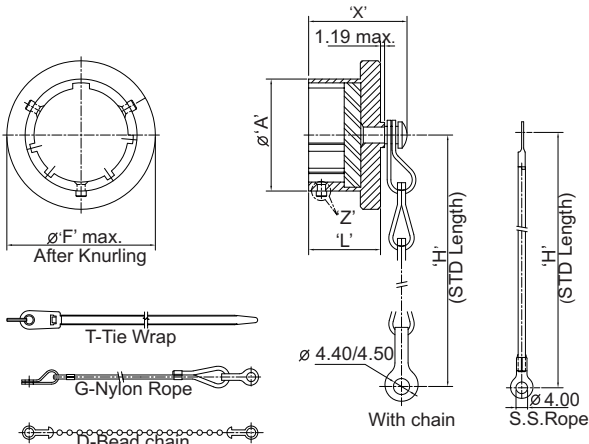


Ordering Information (MIL Part Number)

JANMS3180 10 C W L

- Designates Plug Dust Cover
- Shell Size: 08, 10, 12, 14, 16, 18, 20, 22 & 24
- Style:
 - C - With Chain
 - R - With SS Rope
- Class:
 - A - Hard Anodize black finish
 - W - Cadmium plate finish
- Length:
 - L - 127.0 + 12.7/-6.35 chain/rope in lieu of std. length

Note: For non. std. long "L" Contact factory



Ordering Information (Proprietary Part Number)

IMB3180 08 A F N H

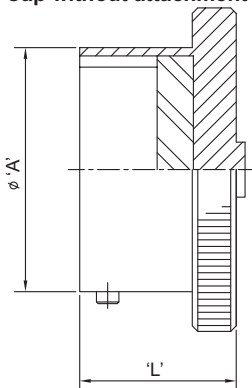
- Designates Plug Dust Cover
- Shell Size: 08, 10, 12, 14, 16, 18, 20, 22 & 24
- Class: Aluminium
 - A - Hard anodic
 - B - Zinc nickel finish
 - F - 48 hrs. electroless nickel
 - W - 500 hrs. cadmium olive drab
 - EB - Cad. free zinc cobolt -olive drab finish
 - FB - Cad. free zinc cobolt - black finish
 - T- PT FE nickel finish
 - SD- Zinc Ni Black finish
- Type of attachment
 - D - bead chain passivated
 - F - Wire rope with teflon jacket
 - G - Nylon cord
 - S - Sash chain passivated
 - X - None
- Type of end link:
 - N - Solid ring
 - T - Tie wrap
 - X - None
- Length of attachment:
 - H - Standard length
 - For non- standard 'H', length has to be specified in mm.

All Dimensions are in mm

Shell Size	ø A Ref.	ø F Max. Overall.	H +12.70/-6.35	L Max. Length	X Max. Overall	ø F +0.00/-0.08 For Heavy Duty
08	12.01	18.26	76.20	14.27	19.84	22.10
10	14.99	21.44				24.86
12	19.05	25.40				29.24
14	22.22	28.58				32.41
16	25.40	31.75	101.60	15.88	21.44	35.58
18	28.58	34.92				38.22
20	31.75	38.10				41.94
22	34.92	41.28				45.11
24	38.10	44.45		16.71	22.22	48.18

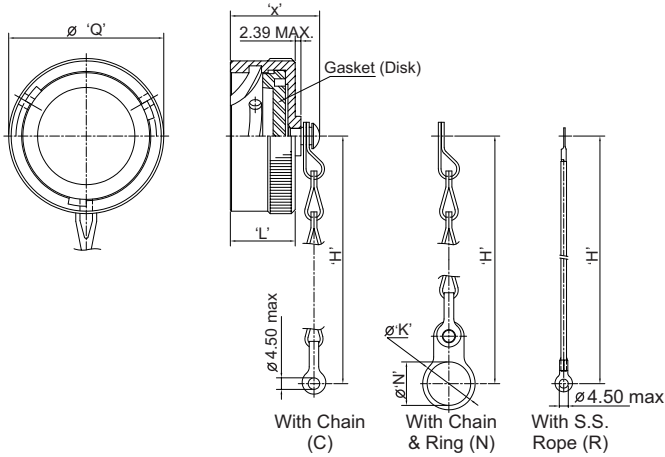
All Dimensions for reference only

Cap without attachment



Ordering information IMB3180 -08 - A - V1

- Plug Dust Cover
- Shell Size : 08,10,12,14,16,18,20,22 & 24
- Class:
 - A - Hard Anodic
 - W - Aluminium, 500 hrs. Cadmium Olive Drab
 - F - Aluminium, 48 hrs. electroless nickel
 - T- Nickel PTFE finish
- Variant



Ordering Information (MIL Part Number)

JANMS3181 10 C W L

Designates Receptacle Dust Cover

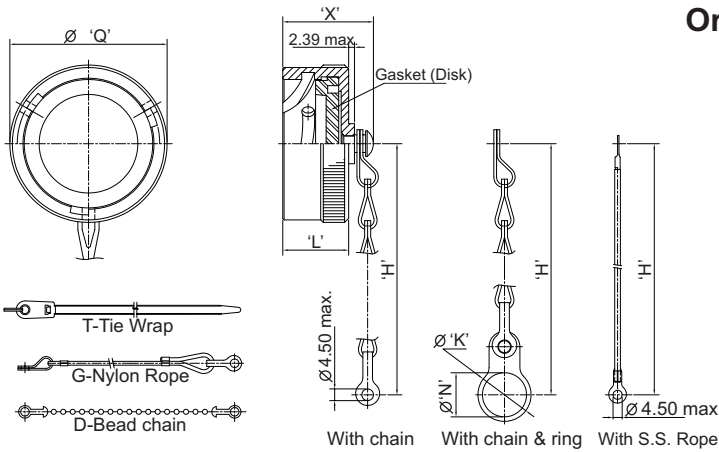
Shell Size: 08, 10, 12, 14, 16, 18, 20, 22 & 24

Style:
C - With Chain
N - With Chain & Ring.
R - With SS Rope

Class:
A - Hard Anodize black finish
W - Cadmium plate finish

Length:
L - 127.0 + 12.7/-6.35 chain/rope in lieu of std. length
Leave blank for std.length

Note: For non. std. long "L" Contact factory



Ordering Information (Proprietary Part Number)

IMB3181 08 A F N H

Designates Receptacle Duct Cover

Shell Size: 08, 10, 12, 14, 16, 18, 20, 22 & 24

Class: Aluminium
A - Hard anodic
B - Zinc nickel finish
F - 48 hrs. electroless nickel
W - 500 hrs. cadmium olive drab
EB - Cad. free zinc cobolt -olive drab finish
FB - Cad. free zinc cobolt - black finish
T- PT FE nickel finish
SD- Zinc Ni Black finish

Type of attachment
D -Bead chain passivated
F - Wire rope with teflon jacket
G - Nylon cord
S - Sash chain passivated
X - None

Type of end link:
N - Solid ring
T -Tie wrap
X - None

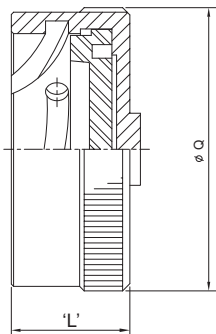
Length of attachment:
H - Standard length
For non- standard 'H', length has to be specified in mm.

All Dimensions are in mm

Shell Size	H +12.70/ -6.35	Ø K MAX.	L Max.	Ø N MIN	Ø Q MIN	X Max.
08	20.62	14.68	18.64			
10	76.20	25.40		17.86	21.82	
12		30.18	14.27	22.63	25.40	21.44
14		36.67		25.81	28.58	
16	88.90	39.67		28.98	31.75	
18		42.88		32.16	34.92	
20		46.02		35.33	38.10	
22	101.60	49.23		38.51	41.28	
24		52.37	15.29	41.68	44.45	22.22

All Dimensions for reference only

Cap without attachment



Ordering information IMB3181 -08 - A - V1

Designates: Receptacle Dust Cover

Shell Size : 08, 10, 12, 14, 16, 18, 20, 22 & 24

Class:
A - Hard Anodic
W - Aluminium, 500 hrs. Cadmium Olive Drab
F - Aluminium, 48 hrs. electroless nickel
T- Nickel PTFE finish

Variant