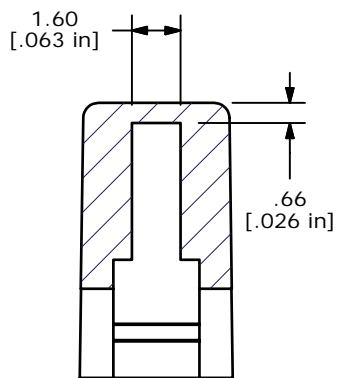
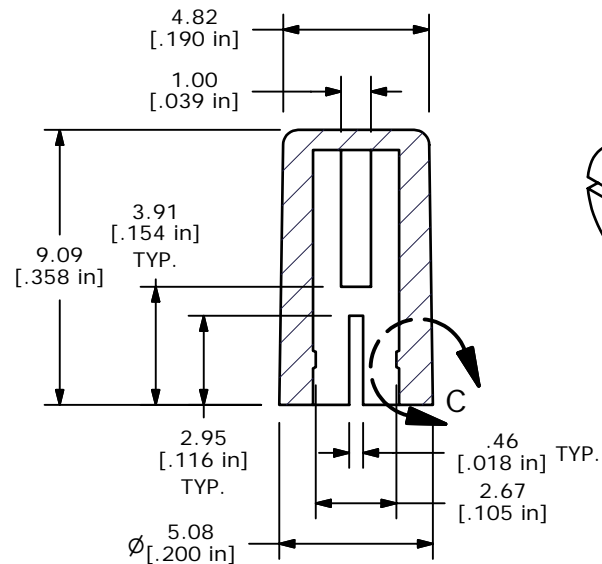


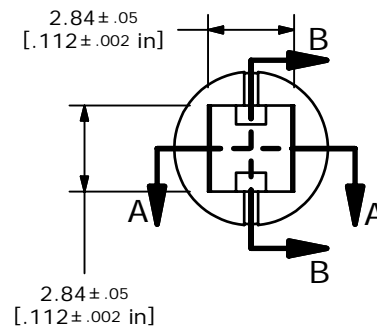
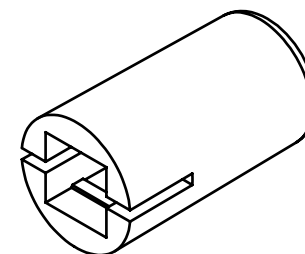
DETAIL C
SCALE 16 : 1



SECTION B-B
SCALE 4 : 1



SECTION A-A
SCALE 4 : 1



- NOTES:
1. ALL DIMENSIONS IN MM [INCH]
 2. GENERAL TOLERANCE: X.XX=±0.15
 - ▲ 3. MATERIAL: ABS, UL94V0
 - ▲ 4. COLOR: WHITE
 5. ▲ DENOTES CRITICAL PARAMETER.

E-SWITCH®

B	15250	UPDATED DESCRIPTION	9/8/05	PH
A	15107	RELEASED FOR PRODUCTION	8/4/05	BK
REV	PCR NO	DESCRIPTION	DATE	BY

E-SWITCH®				
TITLE 1RWHT				
SCALE	DATE	DR	DWG	REV
4:1	8/4/2005	BK	Q800301	B

THE INFORMATION CONTAINED IN THIS DOCUMENT IS PROPRIETARY TO E-SWITCH AND IS NOT TO BE COPIED OR TRANSFERRED