

TABLE 1	
AHSP P/N	TOTAL LENGTH (mm)
NJMMLK-0006	500 ±10
NJMMLK-0001	1000 ±20
NJMMLK-0007	1500 ±30
NJMMLK-0002	2000 ±40
NJMMLK-0008	2500 ±50
NJMMLK-0003	3000 ±60
NJMMLK-0009	3500 ±70
NJMMLK-0004	4000 ±80
NJMMLK-0010	4500 ±90
NJMMLK-0005	5000 ±100

REVISIONS						
ZONE	REV	ECN	DESCRIPTION	BY	DATE	APPROVED
	4.0	RVAR-22071101	CHANGE BOM ITEM 4 PN FROM 023-R075-050 TO 023-R075-059. ADD ITEM 1 OD CALLOUTS TO TABLE 2 AND BEND R. DETAIL VIEW. ADD NET COVERING GRAPHICS.	R. VASSAR	07/26/2022	M. AYZENBERG
	5.0	RVAR-22083102	ADD PNs -0007 AND -0008 TO TABLE 1. CHANGE BOM ITEM 4 PN FROM 023-R075-059 TO 023-R075-050. REMOVE ITEM 1 OD CALLOUTS IN TABLE 2 AND BEND R. DETAIL VIEW. REMOVED NET COVERING GRAPHICS.	R. VASSAR	8/15/2022	M. AYZENBERG
	6.0	RVAR-23021401	ADD PNs -0006, -0009, -0004, -0010 AND -0005 TO TABLE 1. CHANGE P-DRAW BOM ITEM 4 PN FROM 023-R075-050 TO 023-R075-059. ADD ITEM 1 OD CALLOUTS IN TABLE 1 AND BEND RADIUS DETAIL VIEWS. ADD NET COVERING GRAPHICS. ADD "UACK" STAMP TO SH 1.	R. VASSAR	2/14/2023	M. HUSSAIN

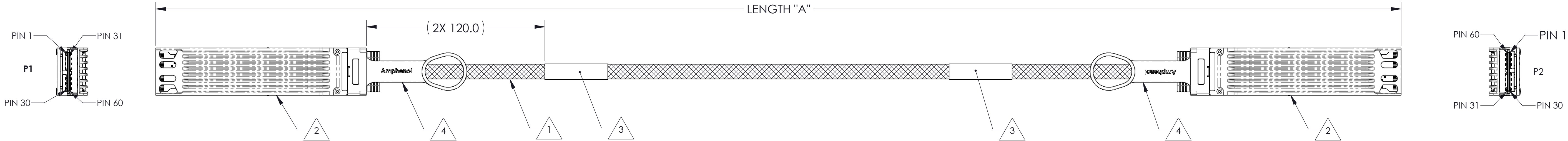
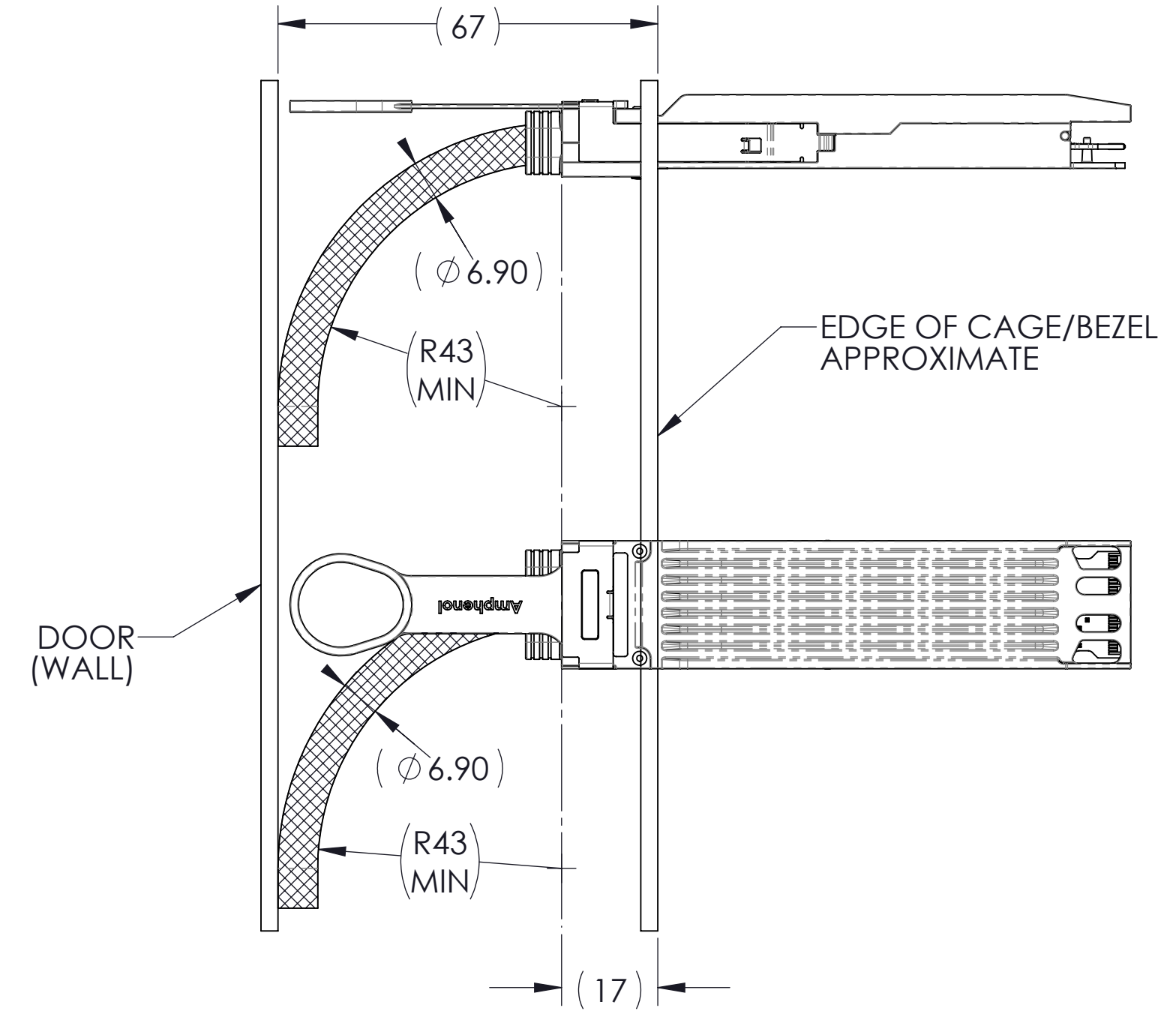


TABLE 2	
ITEM No.	DESCRIPTION
1	32 AWG, 16-PR, VW1 WITH PROTECTIVE PLASTIC NET COVERING VW-1 NJACK, (ø6.90)
2	PLUG, OSFP, REFERENCE "OSFP MSA"
3	LABEL - WRAPPED, AHSP P/N, REV, DATE CODE, LENGTH, CoO & SERIAL NUMBER
4	PULL TAB, BLUE



- 7. UL LABEL MUST BE ON THE SHIPPING CARTON PER SUBJECT 764 OF THE UL COMPONENT WIRING HARNESS (ZPFW2) FILE #E86140. CSA LABEL MUST BE ON SHIPPING CARTON.
 - 6. PACKAGE COMPLETED ASSY IN AN APPROPRIATELY SIZED ESD BAG.
 - 5. EPROM CONTENT SHALL BE COMPLIANT WITH SFF-8636 SPECIFICATIONS FOR 100GBASE-CR4. EPROM REVISION IS EQUAL TO AHSP PART NUMBER REVISION.
 - 4. CABLE ASSEMBLIES MUST MEET SHIELDING EFFECTIVENESS REQUIREMENTS OF 35dB FROM 1-10GHz AND 30dB FROM 10-18GHz.
 - 3. COMPLIANT TO EU DIRECTIVE 2011/65/EU - RoHS2.
 - 2. ASSEMBLIES SHALL BE COMPLIANT TO 100GBASE-CR4 SPECIFICATION.
 - 1. THIS DRAWING IS RESERVED FOR AMPHENOL
- NOTES: UNLESS OTHERWISE SPECIFIED

TOLERANCES		DWN 04/13/2021 R. VASSAR	Amphenol AHSP A Division of Amphenol Corporation 200 Innovative Way, Suite 201, Nashua, N.H. 03062 (603) 879-3000
0.0	± 0.1	CHK 05/03/2021 M. AYZENBERG	
0.00	± 0.08	APVD 05/03/2021 M. AYZENBERG	
ANGLES	± 1.0°		
UNLESS OTHERWISE SPECIFIED DIMENSIONS ARE IN mm			TITLE OSFP, 112G, LINEAR ACTIVE, 32AWG
PART NO.		REV	
SEE TABLE 1		N/A	
DRAWING NO.		REV	
C-NJMMLK-0099		6.0	
SIZE	D	SCALE	Sheet 1 of 2
		1:1	

UK CA CE (UKCA, CE marks)

Pb (Pb-free mark)

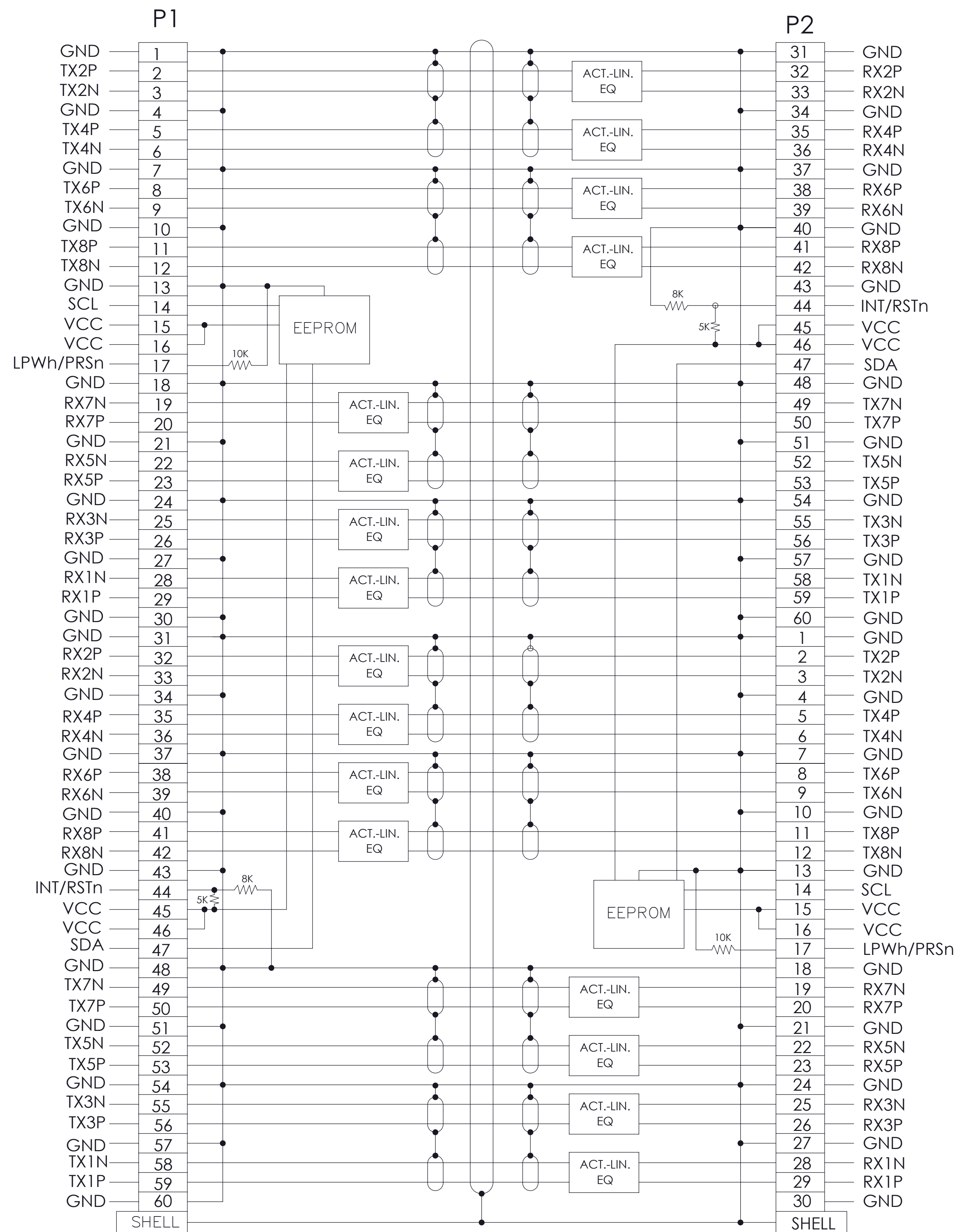
S (RoHS mark)

Amphenol RoHS 2011/05/EU

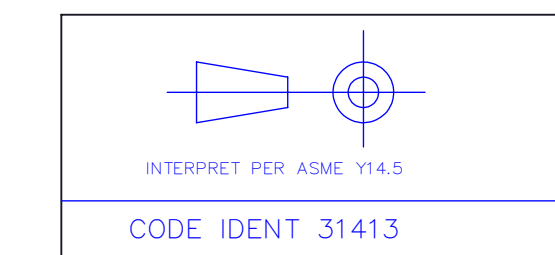
INTERPRET PER ASME Y14.5

CODE IDENT 31413

REVISIONS						
ZONE	REV	ECN	DESCRIPTION	BY	DATE	APPROVED
-	-	-	SEE SHEET 1	-	-	-



TOLERANCES	DWN	04/13/2021	R. VASSAR	Amphenol AHSP A Division of Amphenol Corporation 200 Innovative Way, Suite 201, Nashua, N.H. 03062 (603) 879-3000
0.0	± 0.1	CHK	05/03/2021	
0.00	± 0.08	APVD	05/03/2021	
ANGLES	± 1.0°		M. AYZENBERG	TITLE OSFP, 112G, LINEAR ACTIVE, 32AWG



CODE IDENT 31413

CUSTOMER USE DRAWING

PART NO.	REV
SEE TABLE 1	N/A
DRAWING NO.	REV
C-NJMMLK-0099	6.0
SIZE D	SCALE 1:1
Sheet 2 of 2	