

1

2

3

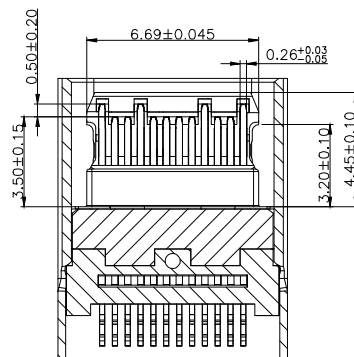
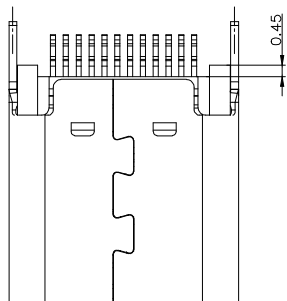
4

5

6

7

A



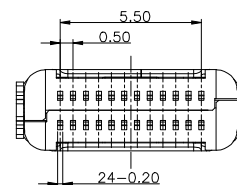
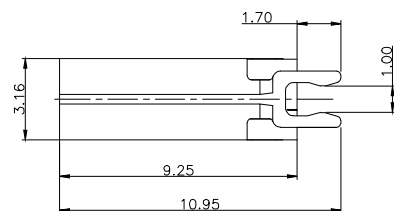
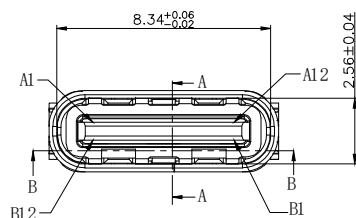
SECTION B-B

NOTES:
SPECIFICATION:

1. CURRENT RATING: 5.0A MAX
2. VOLTAGE: 100 VAC
3. TEMPERATURE RANGE: -30 °C ~ 85 °C
4. CONTACT RESISTANCE: 40 MILLIONHM MAX
5. INSULATION RESISTANCE: 100 MEGOHMS MIN.
6. LNSERTION FORCE : 5N~20N
7. UNMATING FORCE: 8N~20N
8. DURABILITY: 10,000 CYCLES

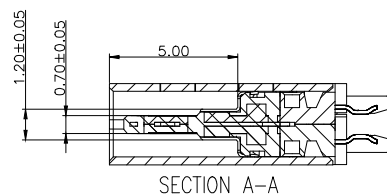
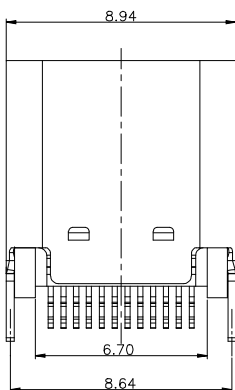
B

C



D

E



SECTION A-A

5	SHELL	STAINLESS STEEL	NI Plated	1PCS
4	SPRING	STAINLESS STEEL	---	1SET
3	SHIELDING PLATE	STAINLESS STEEL	---	1PCS
2	CONTACT	COPPER ALLOY	TIN/Au/NI Plated	1SET
1	HOUSING	HIGH TEMPERATURE PLASTIC	BLACK	1PCS
NO.	DESCRIPTION	MATERIAL	REMARKS	QTY

F

G

RoHS compliant
Unit: mm

Scale Free

TOLERANCE

X.X ±0.38

X.XX ±0.25

X.XXX ±0.15

DIM TOL

X° ±2°

①

Drawn

18.03.2022

Luca

Id.

Modification

Date

Name

Date

Name

Description: USB Connector

USB3.2 GEN1 TYPE C / FEMALE / 180°

ASSMANN WSW-No.

A-USBC-32F1-EG-KST02

Drawing-No.

ASS 9325 CO

rev00

Customer-No.

Sheet
1/3

ASSMANN
WSW components

1

2

3

4

5

6

7

SV5151

1

2

3

4

5

6

7

A

B

C

D

E

F

RECOMMENDED P.C.B. LAYOUT (T:0.8mm)

TOLERANCE UNSPECIFIED $\pm 0.05\text{mm}$

USB TYPE-C FULL-FEATURED RECEPTACLE INTERFACE PIN ASSIGNMENTS

PIN	Signal Name	Description	PIN	Signal Name	Description
A1	GND	Ground return	B12	GND	Ground return
A2	SSTXp1	Positive half of first SuperSpeed TX differential pair	B11	SSRXp1	Positive half of first SuperSpeed RX differential pair
A3	SSTXn1	Negative half of first SuperSpeed TX differential pair	B10	SSRXn1	Negative half of first SuperSpeed RX differential pair
A4	VBUS	Bus Power	B9	VBUS	Bus Power
A5	CC1	Configuration Channel	B8	SBU2	Sideband Use (SBU)
A6	Dp1	Positive half of the USB 2.0 differential pair-Position 1	B7	Dn2	Negative half of the USB 2.0 differential pair-Position 2
A7	Dn1	Negative half of the USB 2.0 differential pair-Position 1	B6	Dp2	Positive half of the USB 2.0 differential pair-Position 2
A8	SBU1	Sideband Use(SBU)	B5	CC2	Configuraation Channel
A9	VBUS	Bus Power	B4	VBUS	Bus Power
A10	SSRXn2	Negative half of second SuperSpeed RX differential pair	B3	SSTXn2	Negative half of second SuperSpeed TX differential pair
A11	SSRXp2	Positive half of second SuperSpeed RX differential pair	B2	SSTXp2	Positive half of second SuperSpeed TX differential pair
A12	GND	Ground return	B1	GND	Ground return

G

RoHS compliant
 Unit: mm

Scale Free

TOLERANCE

X.X ± 0.38 X.XX ± 0.25 X.XXX ± 0.15

DIM TOL

X° $\pm 2^\circ$

①

Drawn

18.03.2022

Luca

Id.

Modification

Date

Name

Date

Name

Description: USB Connector

USB3.2 GEN1 TYPE C / FEMALE / 180°

ASSMANN WSW-No.

A-USBC-32F1-EG-KST02

Drawing-No.

ASS 9325 CO

rev00

Customer-No.

Sheet

2/3

1

2

3

4

5

6

7

SV5151

1

2

3

4

5

6

7

A

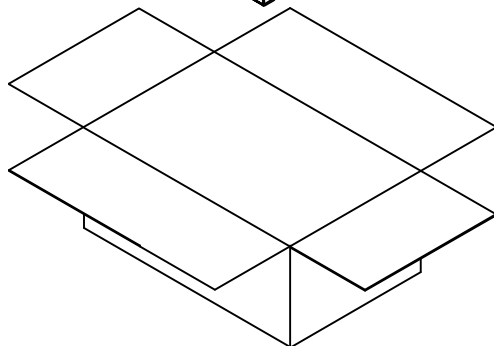
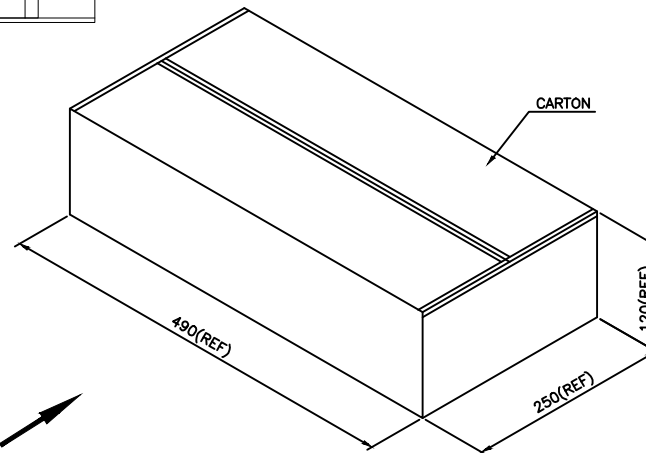
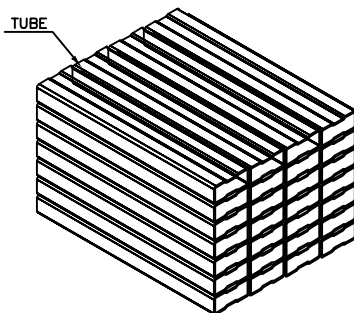
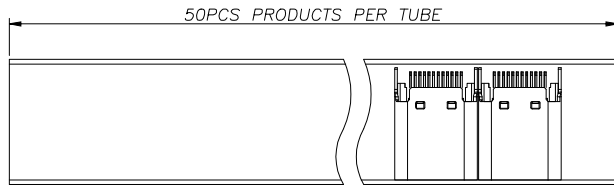
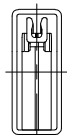
B

C

D

E

F



	TUBE	CARTON
CONNECTOR (PCS)	50	12000

RoHS compliant
Unit: mm

Scale	Free
-------	------

TOLERANCE	
-----------	--

X.X	±0.38
-----	-------

X.XX	±0.25
------	-------

X.XXX	±0.15
-------	-------

DIM	TOL
-----	-----

X°	±2°
----	-----

Id.	Drawn	18.03.2022	Luca
Id.	Modification	Date	Name



Date	Name
18.03.2022	Luca
18.03.2022	Luca

Description: USB Connector	
USB3.2 GEN1 TYPE C / FEMALE / 180°	
ASSMANN WSW-No. A-USBC-32F1-EG-KST02	
Drawing-No.	rev00
ASS 9325 CO	
Customer-No.	Sheet 3/3

1

2

3

4

5

6

7