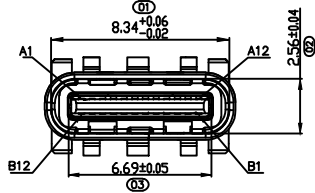
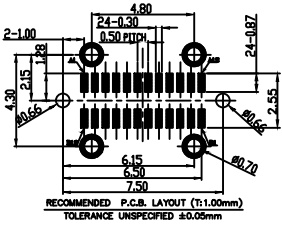


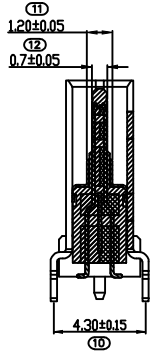
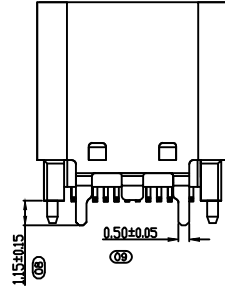
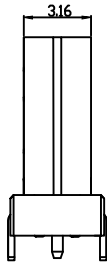
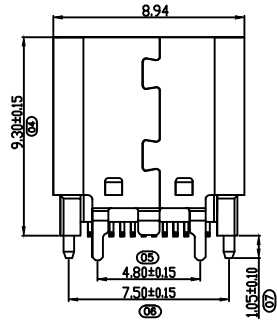
A



B

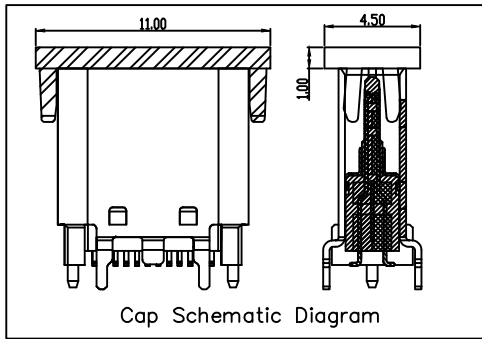
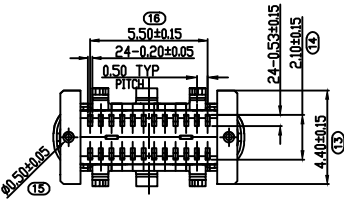


C



D

E



PIN NUMBER	SIGNAL NAME	PIN NUMBER	SIGNAL NAME
A1	GND	B12	GND
A2	SSTXp1	B11	SSRXp1
A3	SSTXn1	B10	SSRXn1
A4	VBUS	B9	VBUS
A5	CC1	B8	SBU2
A6	Dp1	B7	Dn2
A7	Dn1	B6	Dp2
A8	SBU1	B5	CC2
A9	VBUS	B4	VBUS
A10	SSRXn2	B3	SSTXn2
A11	SSRXp2	B2	SSTXp2
A12	GND	B1	GND

- NOTES:**
 1.MATERIAL:
 1.1 HOUSING: LCP+30%GF UL94V-0 BLACK
 1.2 CONTACT: C7025 T=0.15mm;
 Au 1u" PALTERD ON CONTACT AREA & G/F SOLDER AREA PLATED
 OVER 50u" min Ni
 1.3 SHELL: SUS304 T=0.30mm ; 50U" MIN Ni PLATED OVERALL
 1.4 MID PLATE: SUS301 T=0.15mm;
 2.SPECIFICATION:
 2.1 CURRENT RATING: 5A
 2.2 CONTACT RESISTANCE: 40mΩ MAX(initial value)
 50mΩ MAX(after test)
 2.3 INSULATION RESISTANCE: 100MΩ MIN
 2.4 WITHSTANDING VOLTAGE: 100V AC R.M.S.
 2.5 INSERTION FORCE: 5-20N UNINSERTION FORCE: 5-20N (after test)
 UNMATING FORCE: 8-20N UNMATING FORCE: 6-20N (after test)
 2.6 DURABILITY: 1000CYCLES.
 2.7 HIGH TEMPERATURE RESISTANCE: SMT reflow soldering (peak 260±5°), plastic can not have blister,
 Poor melting glue, discoloration, warping deformation within the tolerance range ;
 2.8 THE PRODUCT SHALL BE TESTED FOR SOLDERING AND THE SOLDERING AREA SHALL REACH MORE
 THAN 95%
 2.9 Salt spray: 48H min
 3. OPERATING TEMPERATURE: -30°C~ +85°C

F

RoHS compliant
Unit: mm

G	Scale	Free					Date	Name	Description: USB Connector	
	TOLERANCE						Drawn	08.06.2022	Luca	USB3.2 GEN1 TYPE C / FEMALE / VERTICAL
	X.X	±0.38					Approved	03.05.2023	Luca	ASSMANN WSW-No.
	X.XX	±0.25								A-USBC-32F1-EG-GSR09
	X.XXX	±0.15								Drawing-No.
H	DIM	TOL	①	Update packing quantity	03.05.2023	Luca	ASSMANN WSW components	ASS 9322 CO rev01		
	X°	±2°	②	Drawn	08.06.2022	Luca		Customer-No.	Sheet 1/2	
			Id.	Modification	Date	Name				

1

2

3

4

5

6

7

A

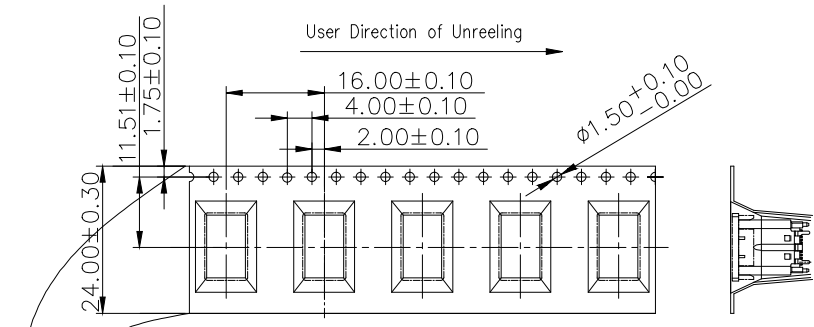
B

C

D

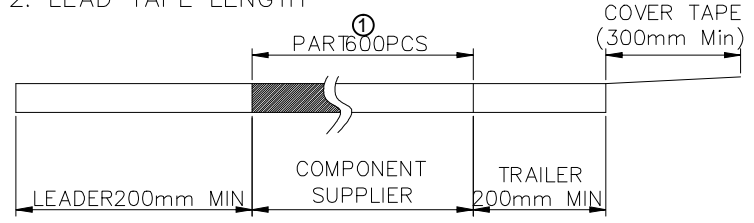
E

F



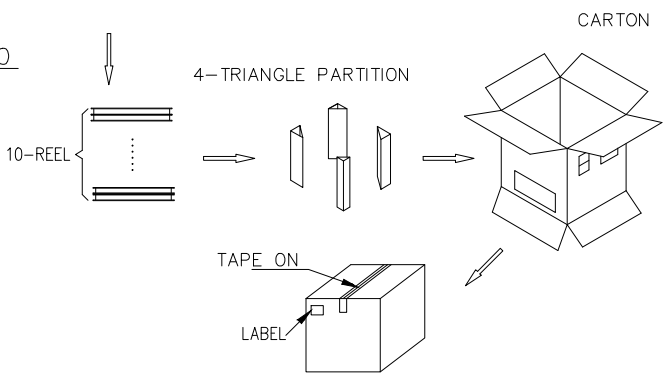
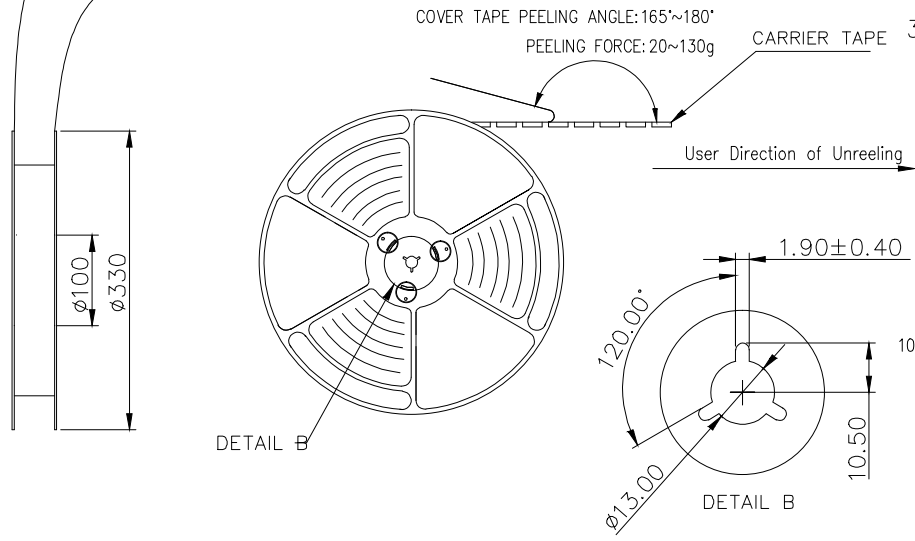
NOTES

- 1. NUMBER OF CONNECTORS: 600PCS/REEL ①
- 2. LEAD TAPE LENGTH



COVER TAPE PEELING ANGLE: 165°~180°
 PEELING FORCE: 20~130g
 CARRIER TAPE

- 3. QUANTITY: 6000PCS/CARTON ①



RoHS compliant
 Unit: mm

Scale	Free						Date	Name
TOLERANCE						Drawn	08.06.2022	Luca
X.X	±0.38					Approved	03.05.2023	Luca
X.XX	±0.25							
X.XXX	±0.15							
DIM	TOL	①	Update packing quantity	03.05.2023	Luca			
X°	±2°	②	Drawn	08.06.2022	Luca			
		Id.	Modification	Date	Name			

Description: USB Connector	
USB3.2 GEN1 TYPE C / FEMALE / VERTICAL	
ASSMANN WSW-No. A-USBC-32F1-EG-GSR09	
Drawing-No.	ASS 9322 CO
Customer-No.	rev01
	Sheet 2/2

1

2

3

4

5

6

7