

1

2

3

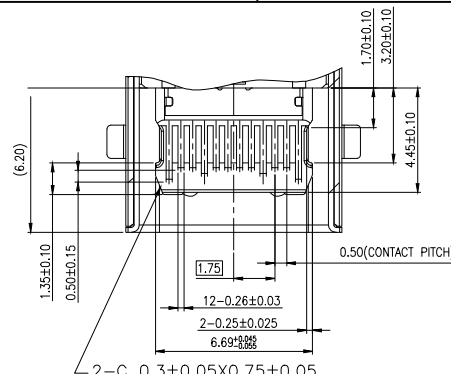
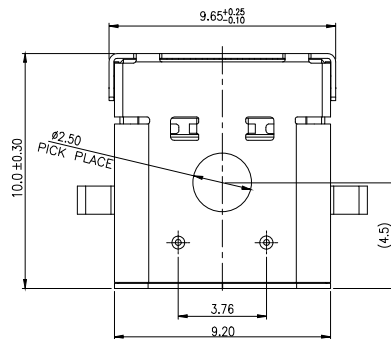
4

5

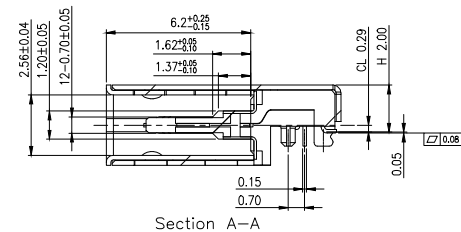
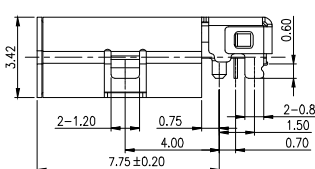
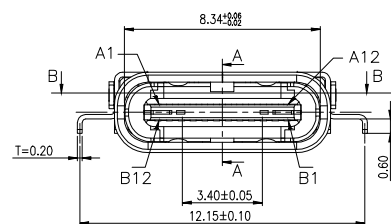
6

7

A



SECTION B-B



Section A-A

NOTES:

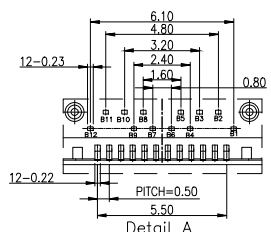
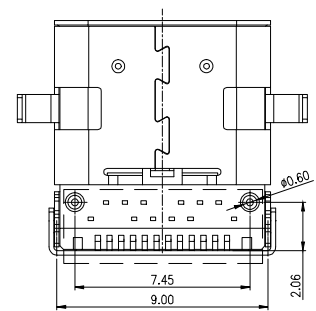
- 1.MATERIAL:  
HOUSING: LCP UL94 V-0, BLACK  
CONTACT: COPPER ALLOY,  
G/F PLATED ON CONTACT AREA,  
G/F, PLATED ON SOLDER AREA,  
40u" NICKEL PLATING OVER ALL.  
  
SHELL: SUS304-H, T=0.30±0.03mm  
40u" NICKEL PLATING OVER ALL.  
EMI SHILD: SUS304-H, T=0.12±0.03mm  
LATCH: SUS301-H, T=0.15±0.03mm
- 2.MECHANICAL:  
INSERTION: 5~20N.  
EXTRACTION: 8~20N.  
DURABILITY: 10000 CYCLES
- 3.ELECTRICAL:  
CURRENT: 5A MIN FOR VBUS;  
0.25A MIN FOR OTHER.  
VOLTAGE: 5VAC MAX  
WITHSTANDING VOLTAGE: 100V AC.  
CONTACT RESISTANCE: 40mΩ MAX.  
INSULATION RESISTANCE: 100MΩ MIN.
- 4.ENVIRONMENTAL  
TEMPERATURE RANGE -25°C ~ +85°C

C

D

E

F



Detail A

G

**RoHS compliant**  
Unit: mm

|           |       |
|-----------|-------|
| Scale     | Free  |
| TOLERANCE |       |
| X.X       | ±0.38 |
| X.XX      | ±0.25 |
| X.XXX     | ±0.15 |
| DIM       | TOL   |
| X°        | ±2°   |

|          |              |            |      |
|----------|--------------|------------|------|
| Drawn    | 18.03.2022   | Luca       |      |
| Approved | 18.03.2022   | Luca       |      |
| ①        | Drawn        | 18.03.2022 | Luca |
| Id.      | Modification | Date       | Name |

|                                   |       |
|-----------------------------------|-------|
| Description: USB Connector        |       |
| USB3.2 GEN1 TYPE C / FEMALE / 90° |       |
| ASSMANN WSW-No.                   |       |
| A-USBC-32F1-EA-GRR03              |       |
| Drawing-No.                       |       |
| ASS 9276 CO                       | rev00 |
| Customer-No.                      |       |
| Sheet 1/3                         |       |

H

1

2

3

4

5

6

7

1

2

3

4

5

6

7

A

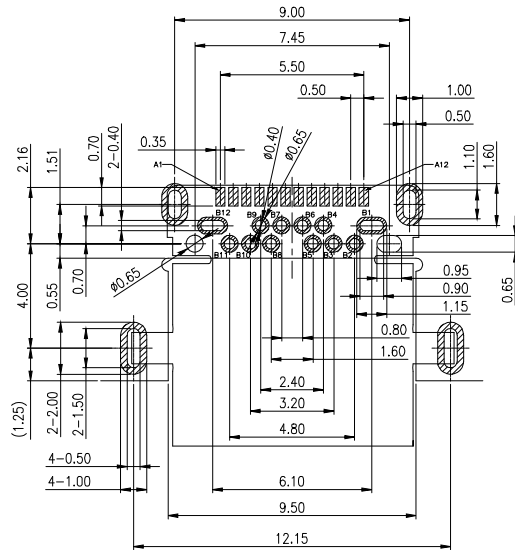
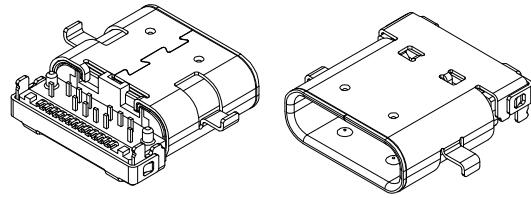
B

C

D

E

F



RECOMMEND P.C.B LAYOUT(COMPONENT SIDE)  
TOLERANCE FOR PCB LAYOUT IS ± 0.05

USB TYPE-C FULL-FEATURED RECEPTACLE INTERFACE PIN ASSIGNMENTS

| PIN | Signal Name | Description   | PIN | Signal Name | Description   |
|-----|-------------|---|-----|-------------|---|
| A1  | GND         | Ground return   | B12 | GND         | Ground return   |
| A2  | SSTXp1      | Positive half of first SuperSpeed TX differential pair    | B11 | SSRXp1      | Positive half of first SuperSpeed RX differential pair    |
| A3  | SSTXn1      | Negative half of first SuperSpeed TX differential pair    | B10 | SSRXn1      | Negative half of first SuperSpeed RX differential pair    |
| A4  | VBUS        | Bus Power   | B9  | VBUS        | Bus Power   |
| A5  | CC1         | Configuration Channel                                     | B8  | SBU2        | Sideband Use (SBU)  |
| A6  | Dp1         | Positive half of the USB 2.0 differential pair-Position 1 | B7  | Dn2         | Negative half of the USB 2.0 differential pair-Position 2 |
| A7  | Dn1         | Negative half of the USB 2.0 differential pair-Position 1 | B6  | Dp2         | Positive half of the USB 2.0 differential pair-Position 2 |
| A8  | SBU1        | Sideband Use(SBU)   | B5  | CC2         | Configuraation Channel                                    |
| A9  | VBUS        | Bus Power   | B4  | VBUS        | Bus Power   |
| A10 | SSRXn2      | Negative half of second SuperSpeed RX differential pair   | B3  | SSTXn2      | Negative half of second SuperSpeed TX differential pair   |
| A11 | SSRXp2      | Positive half of second SuperSpeed RX differential pair   | B2  | SSTXp2      | Positive half of second SuperSpeed TX differential pair   |
| A12 | GND         | Ground return   | B1  | GND         | Ground return   |

G

**RoHS compliant**  
Unit: mm

|       |      |
|-------|------|
| Scale | Free |
|-------|------|

|           |  |
|-----------|--|
| TOLERANCE |  |
|-----------|--|

|     |       |
|-----|-------|
| X.X | ±0.38 |
|-----|-------|

|      |       |
|------|-------|
| X.XX | ±0.25 |
|------|-------|

|       |       |
|-------|-------|
| X.XXX | ±0.15 |
|-------|-------|

|     |     |
|-----|-----|
| DIM | TOL |
|-----|-----|

|    |     |
|----|-----|
| X° | ±2° |
|----|-----|

|          |              |      |
|----------|--------------|------|
| Drawn    | 18.03.2022   | Luca |
| Approved | 18.03.2022   | Luca |
| Id.      | Modification | Date |

|            |      |
|------------|------|
| Date       | Name |
| 18.03.2022 | Luca |
| 18.03.2022 | Luca |
|            |      |

|                                   |           |
|-----------------------------------|-----------|
| Description: USB Connector        |           |
| USB3.2 GEN1 TYPE C / FEMALE / 90° |           |
| ASSMANN WSW-No.                   |           |
| A-USBC-32F1-EA-GRR03              |           |
| Drawing-No.                       |           |
| ASS 9276 CO                       | rev00     |
| Customer-No.                      | Sheet 2/3 |

H

1

2

3

4

5

6

7

1

2

3

4

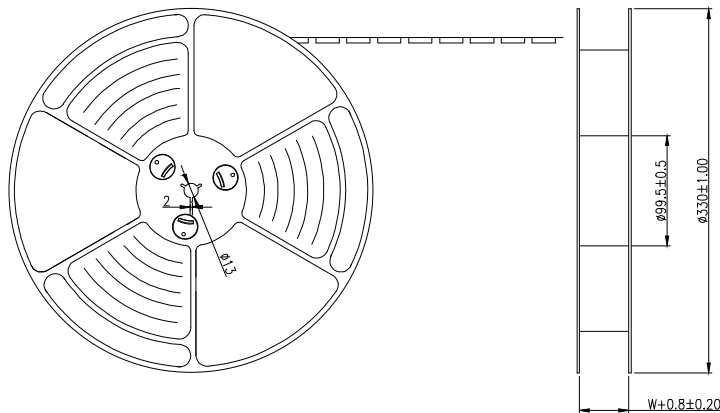
5

6

7

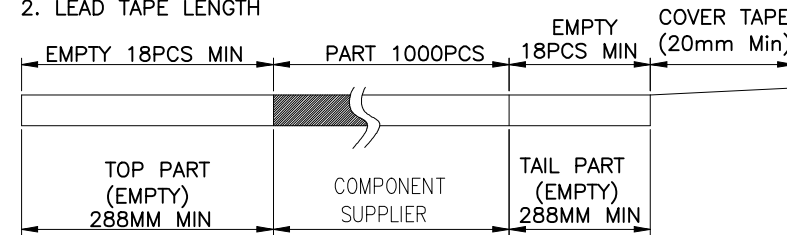
A

PULL OUT DIRECTEON



NOTES

- 1. NUMBER OF CONNECTORS: 1000PCS/REEL
- 2. LEAD TAPE LENGTH



3. QUANTITY: 10000PCS/CARTON

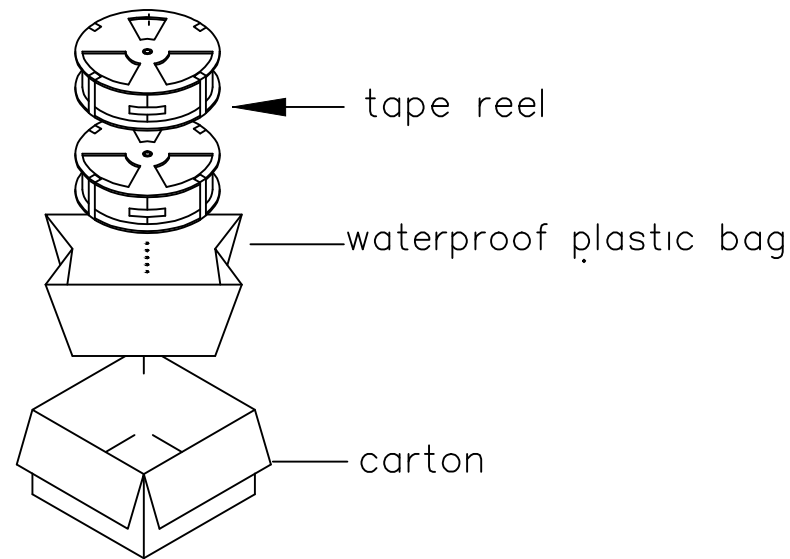
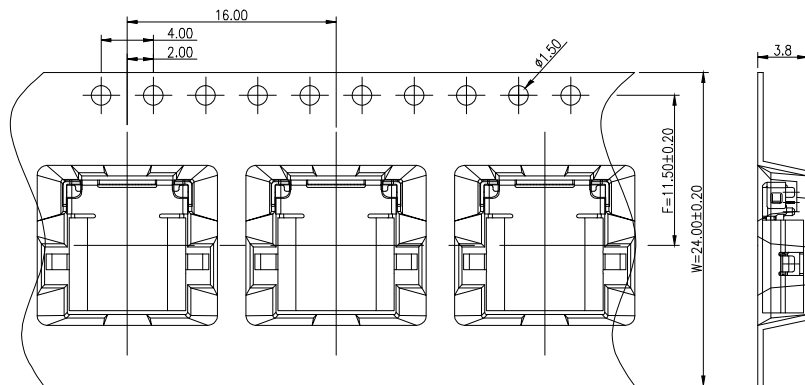
B

C

D

E

F



G

**RoHS compliant**  
Unit: mm

|           |               |
|-----------|---------------|
| Scale     | Free          |
| TOLERANCE |               |
| X.X       | $\pm 0.38$    |
| X.XX      | $\pm 0.25$    |
| X.XXX     | $\pm 0.15$    |
| DIM       | TOL           |
| X°        | $\pm 2^\circ$ |
| ①         | Drawn         |
| Id.       | Modification  |

|            |            |       |            |      |
|------------|------------|-------|------------|------|
| Date       | Name       | Drawn | 18.03.2022 | Luca |
| Approved   | 18.03.2022 | Luca  |            |      |
| 18.03.2022 | Luca       |       |            |      |
| Date       | Name       |       |            |      |

|                                   |  |
|-----------------------------------|--|
| Description: USB Connector        |  |
| USB3.2 GEN1 TYPE C / FEMALE / 90° |  |
| ASSMANN WSW-No.                   |  |
| A-USBC-32F1-EA-GRR03              |  |
| Drawing-No.                       |  |
| ASS 9276 CO                       |  |
| Customer-No.                      |  |

|           |
|-----------|
| rev00     |
| Sheet 3/3 |



1

2

3

4

5

6

7