

1

2

3

4

5

6

7

A

B

C

D

E

F

G

H

NOTES:

1.MATERIAL:

HOUSING: LCP UL94V-0 BLACK
 CONTACT: C7025 G/F PLATED ON CONTACT AREA,
 60u" MATTE TIN PLATED ON SOLDER AREA,
 30u" NI UNDERPLATED OVERALL.
 SHELL: SUS316 30u" NI PLATED OVERALL
 LATCH: SUS301 NO PLATING
 HOOK: SUS301 60u" MATTE TIN PLATED

2.ELECTRIAL CHARACTERISTICS:

CURRENT: 5A FOR VBUS
 0.25A FOR OTHER
 VOLTAGE: 5V
 WITHSTANDING VOLTAGE: 100V AC
 CONTACT RESISTANCE: 40mΩ MAX
 INSULATION RESISTANCE: 100MΩ MIN

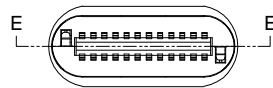
3.MECHANICAL CHARACTERISTICS:

INSERTION FORCE: 5-20N
 EXTRACTION FORCE: 8-20N
 DURABILITY: 10000 CYCLES

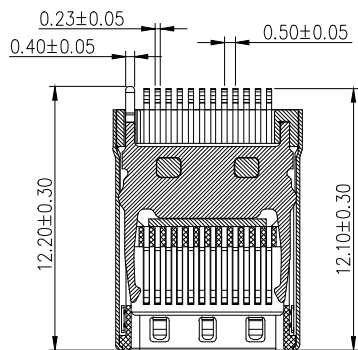
Order Code:

A-USBC-32M1-EG-xST01

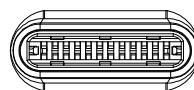
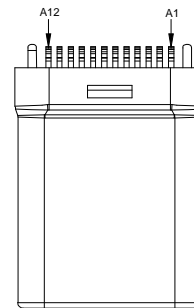
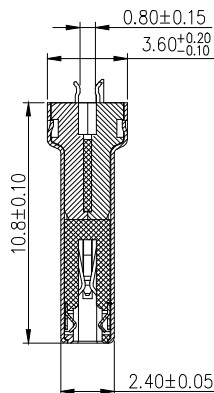
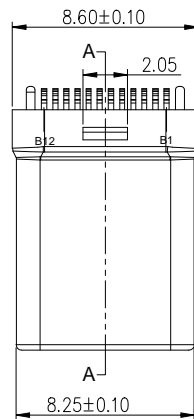
K: Au-flash
 H: Au 30u"



SECTION E-E



SECTION A-A



RoHS compliant
 Unit: mm

Scale	Free
TOLERANCE	
X.X	±0.38
X.XX	±0.25
X.XXX	±0.15
DIM	TOL
X°	±2°
①	Drawn
Id.	Modification

Date	Name	Description: USB Connector
15.03.2022	Luca	TYPE C / USB3.2 Gen1 / MALE / Tube PACKING
15.03.2022	Luca	ASSMANN WSW-No. A-USBC-32M1-EG-xST01
15.03.2022	Luca	Drawing-No. ASS 9265 CO
		rev00
		Customer-No.
		Sheet 1/1



1

2

3

4

5

6

7