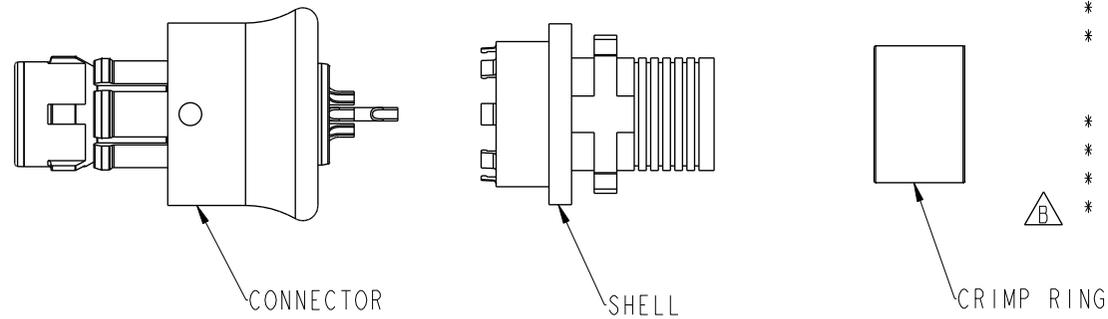
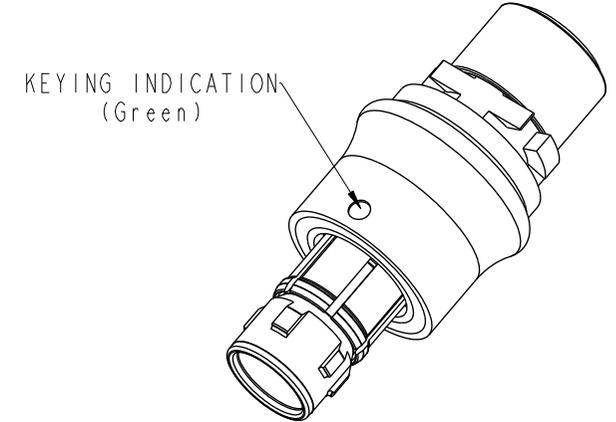
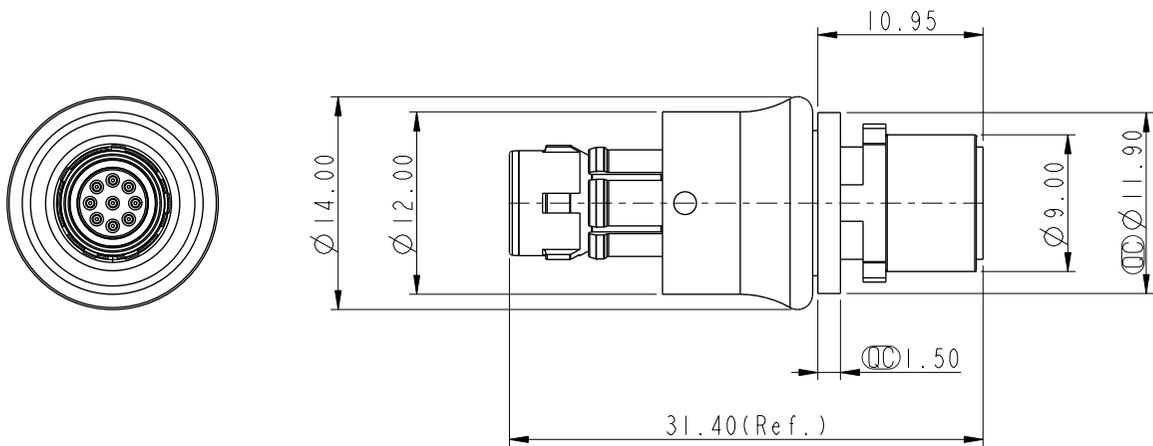


THIS DOCUMENT IS SUBJECT TO CHANGE WITHOUT NOTICE. IT IS CONFIDENTIAL AND A PROPERTY OF AMPHENOL LTW. DISCLOSURE TO THIRD PARTY HAS TO BE AUTHORIZED BY AMPHENOL LTW.

REV.	ECN NO.	DATE	SIGN	DESCRIPTION
A		2021/03/16	Vincent Huang	Rev.02 to A
B	C211268	2021/08/17	Vincent Huang	$\triangle B$ XI



- Notes:
- \* RoHS Compliant
  - \*  $\text{CC}$  Important Dimensions.
  - \* Waterproof Rate: IPX8(Mated, 1m 2hr)
  - \* Connector:  
Housing: Metal.  
Pin: Copper Alloy, Gold Plated.
  - \* Shell: Metal.
  - \* Crimp Ring: Metal.
  - \* Use Cable OD Max: 5.5mm
  - \* Crimp Ring is packed separately in PE bag.

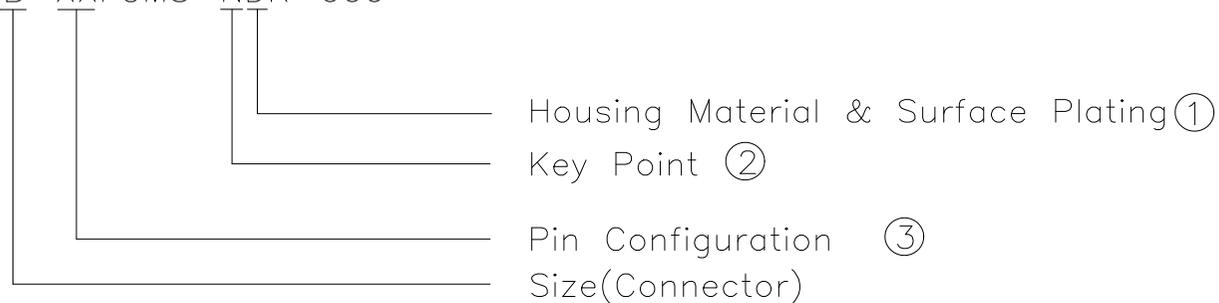
UNIT:mm	
TOLERANCE	
$\pm 0.5$ mm	

TITLE FLO, DY-SER, SIZE 0, 09P, FI MM, SOLDER			
SCALE 2:1	SIZE A4	SHEET 1 OF 2	
REV. B	WC-REV. .0	$\text{CC}$ : Inspection item	

**Amphenol LTW**  
安費諾亮泰企業股份有限公司

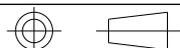
ITEM NO	DRAWN BY Vincent Huang	DATE 2020/08/20
DWG NO FDYB-XXFGMS-NDK-000	CHECKED BY Aric Ko	DATE 2020/08/20
CUSTOMER ALTW	APPROVED BY Max Yang	DATE 2020/08/20

FDYB-XXFGMS-NDK-000



Code ①	Housing Material & Surface Plating	Code ②	Key Point				
	D		N (Green)				
	AL ALLOY/BK Cr	Graphic					
Code ③	Pin Configuration (Solder Definition)						
Graphic	 2 PIN	 3 PIN	 4 PIN	 5 PIN	 7 PIN	 9 PIN	 10 PIN

UNIT:mm



TOLERANCE

±0.5 mm

TITLE FLO, DY-SER, SIZE 0, 09P, FI MM, SOLDER			
SCALE 2:1	SIZE A4	SHEET 2 OF 2	
REV. B	WC-REV. .0	QC: Inspection item	

**Amphenol LTW**  
安費諾亮泰企業股份有限公司

ITEM NO	DRAWN BY Vincent Huang	DATE 2020/08/20
DWG NO FDYB-XXFGMS-NDK-000	CHECKED BY Aric Ko	DATE 2020/08/20
CUSTOMER ALTW	APPROVED BY Max Yang	DATE 2020/08/20