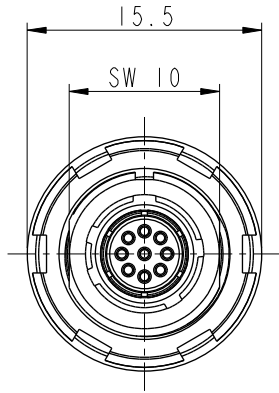
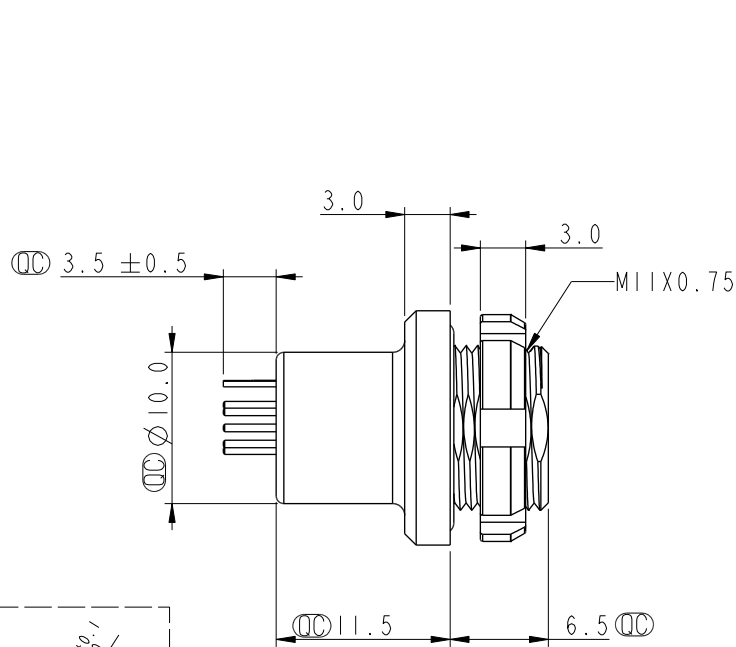
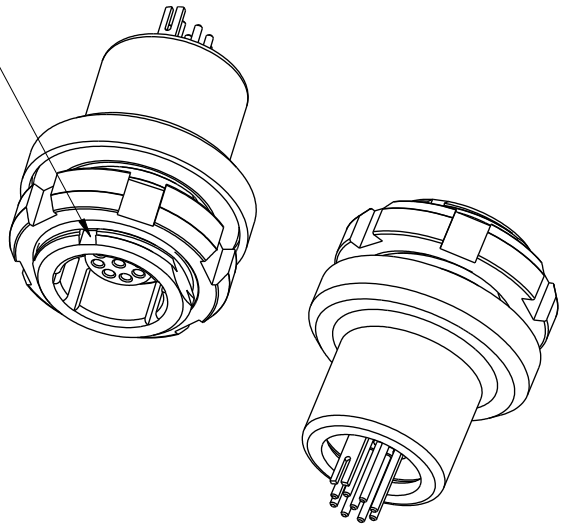


REV.	ECN NO.	DATE	SIGN	DESCRIPTION
A		2021/04/30	Vincent Huang	Initial Released.
B	C211268	2021/08/17	Vincent Huang	XI



KEYING INDICATION  
(Green)



- Note:
- \* RoHS Compliant
  - \* Important Dimension
  - \* Waterproof Rate: IPX8, Mated 1m/2h.
  - \* Connector
    - Housing: Thermoplastic, Natural.
    - Pin: Copper Alloy, Gold Plated
    - O-Ring: Rubber, Black.
  - \* Shield: Metal.
  - \* Nut: Metal.
  - \* O-Ring: Rubber, Black.
  - \* For Panel Thickness Max 3.0mm.
  - \* Recommend pcb thickness: 2.0mm.
  - \* O-Ring is assembled on connectors.
  - \* Nut is packed separately in PE bag.

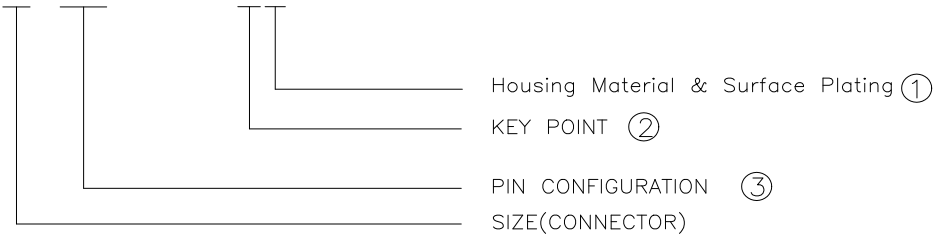
Recommended  
Panel Cut-Out

UNIT:mm		TITLE FLOS, DY-SER, SZ 0, PANEL F S/NUT, F, PCB S, 5KEY GN			<b>Amphenol LTW</b> 安費諾亮泰企業股份有限公司	ITEM NO	DRAWN BY	DATE
	TOLERANCE	SCALE 2:1	SIZE A4	SHEET 1 OF 2		DWG NO	CHECKED BY	DATE
	.X ±0.25 .XX ±0.1 .XXX ±0.05 ANGLES ±1	REV. B	WC-REV. .0	Inspection item		FDYB-XXEFP-NDK-001	APPROVED BY	DATE
					CUSTOMER	ALTW	Max Yang	2021/04/30

THIS DOCUMENT IS SUBJECT TO CHANGE WITHOUT NOTICE. IT IS CONFIDENTIAL AND A PROPERTY OF Amphenol LTW. DISCLOSURE TO THIRD PARTY HAS TO BE AUTHORIZED BY Amphenol LTW.

THIS DOCUMENT IS SUBJECT TO CHANGE WITHOUT NOTICE. IT IS CONFIDENTIAL AND A PROPERTY OF Amphenol LTW. DISCLOSURE TO THIRD PARTY HAS TO BE AUTHORIZED BY Amphenol LTW.

# FDYB-XXEFP-NDK-001



Code ①	Housing Material & Surface Plating	Code ②	Key Point
	D		N (Green)
	AL ALLOY/BK Cr	Graphic	
Code ③	Pin Configuration (Solder Definition)		
Graphic			
	2 PIN	3 PIN	4 PIN
	5 PIN	7 PIN	9 PIN
	10 PIN		10 PIN

PCB Layout

2 PIN	3 PIN	4 PIN	5 PIN	7 PIN	9 PIN	10 PIN

UNIT:mm

TOLERANCE	
.X	±0.25
.XX	±0.1
.XXX	±0.05
ANGLES	±1°

TITLE FLOS, DY-SER, SZ 0, PANEL F S/NUT, F, PCB S, 5KEY GN			
SCALE 2:1	SIZE A4	SHEET 2 OF 2	
REV. B	WC-REV. .0	QC: Inspection item	

**Amphenol LTW**  
安費諾亮泰企業股份有限公司

ITEM NO	DRAWN BY	DATE
DWG NO FDYB-XXEFP-NDK-001	Vincent Huang	2021/04/30
CUSTOMER ALTW	CHECKED BY Aric Ko	DATE 2021/04/30
	APPROVED BY Max Yang	DATE 2021/04/30

DATE	2021/04/30
DATE	2021/04/30
DATE	2021/04/30