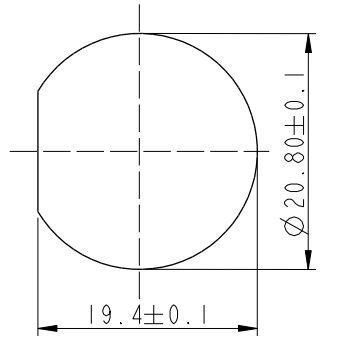


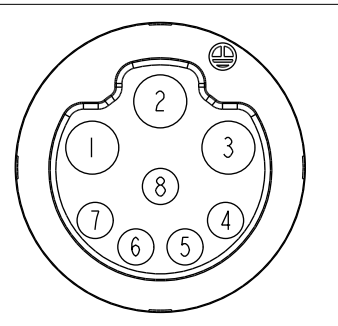
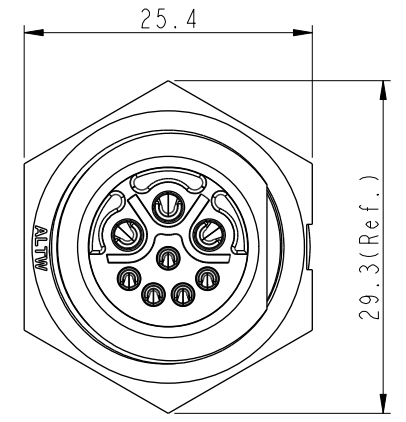
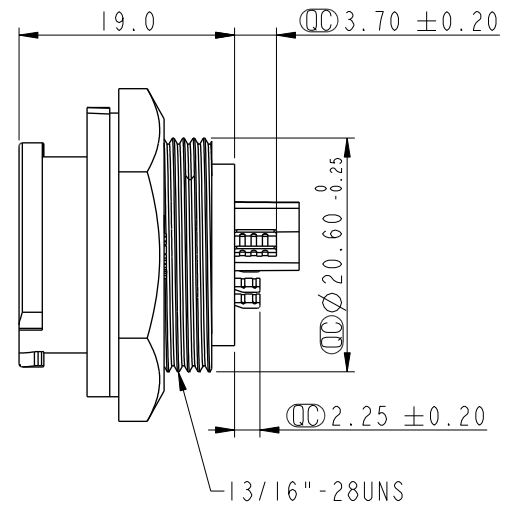
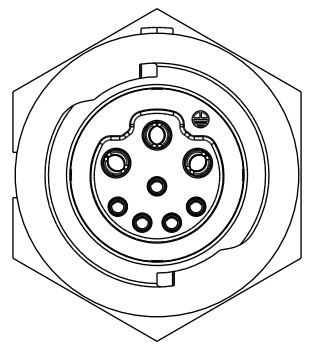
THIS DOCUMENT IS SUBJECT TO CHANGE WITHOUT NOTICE. IT IS CONFIDENTIAL AND A PROPERTY OF AMPHENOL LTW. DISCLOSURE TO THIRD PARTY HAS TO BE AUTHORIZED BY AMPHENOL LTW.

REV.	ECN NO.	DATE	SIGN	DESCRIPTION
B	C190470	2019/03/20	Vicky	Change Note
C	C220628	2022/05/09	Vicky	$\triangle C$ X4
D	C230084	2023/01/30	Vicky	$\triangle D$ XI

$\triangle C$ CBD-XXRMFS-QC8001
 XX: No. Of Pin

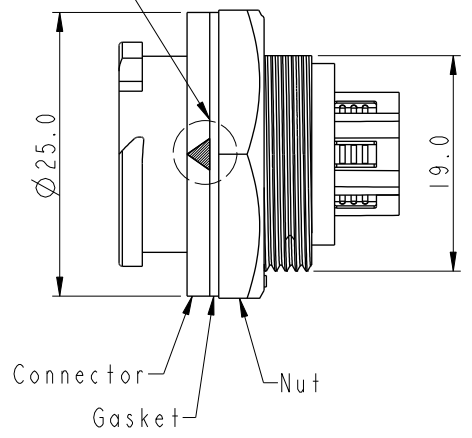


Recommended Panel Cut-Out



8P
Pin Assignments Front View

CC White Printing



- $\triangle B \triangle C$
 Note:
 * RoHS Compliant
 * CC Important dimension
 * $\triangle D$ Waterproof rate: IP68, unmated 1m/24h
 * Connector
 Housing: Thermoplastic, Black
 Pin: Copper Alloy, Gold plated
 * Nut: Thermoplastic, Black
 * Gasket: Rubber, Gray
 * For panel thickness max: 4.2mm
 * Gasket and nut are packed separately in pe bag

UNIT: mm		
TOLERANCE	.X ±0.25	
	.XX ±0.1	
	.XXX ±0.05	
ANGLES	±1°	

TITLE XLOK, C-10A+5A, REAR FASTENED M, F, SOLDER, PUSH LOCK $\triangle C$		
SCALE 3:2	SIZE A4	SHEET 1 OF 1
REV. D	WC-REV. A.3	CC : Inspection item

Amphenol LTW
 安費諾亮泰企業股份有限公司

ITEM NO.	DRAWN BY Vicky	DATE 2019-03-20
DWG NO. $\triangle C$ CBD-XXRMFS-QC8001	CHECKED BY Rita	DATE 2019-03-20
CUSTOMER ALTW	APPROVED BY Max	DATE 2019-03-20