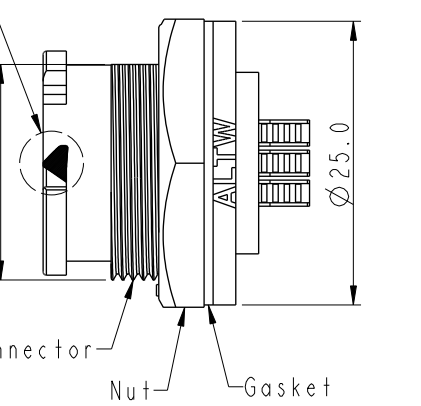
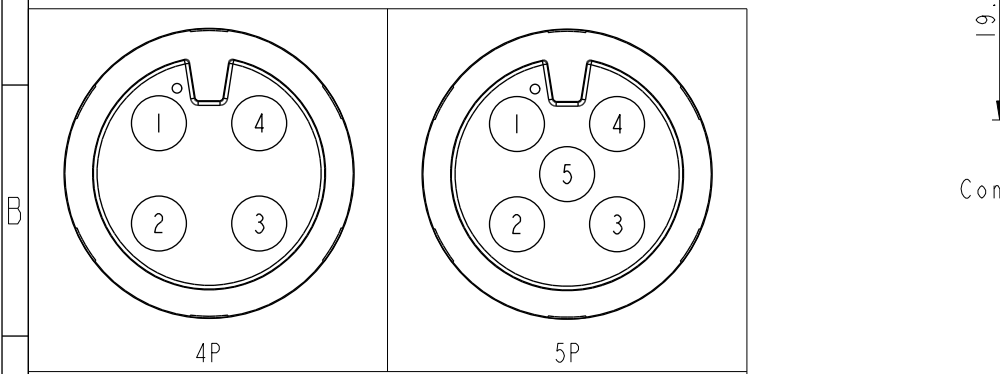
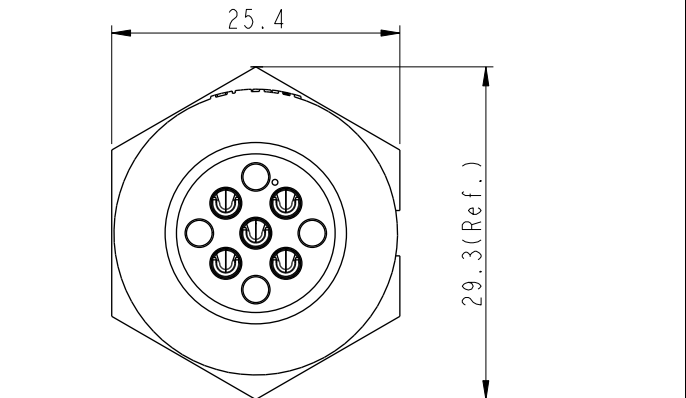
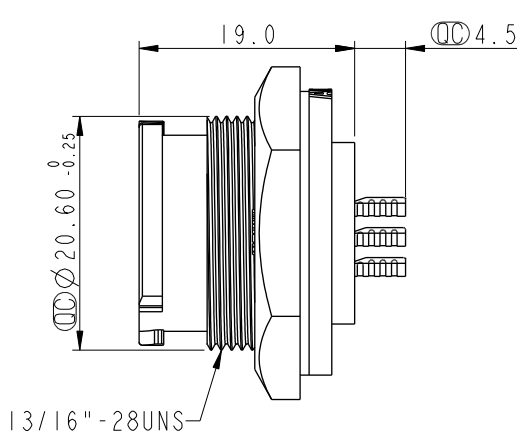
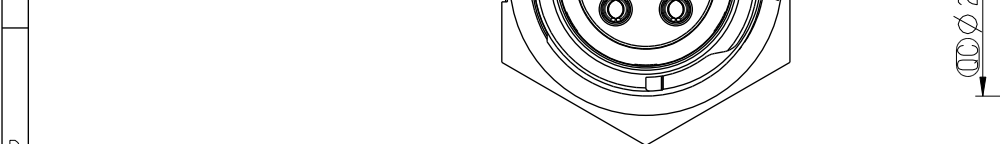
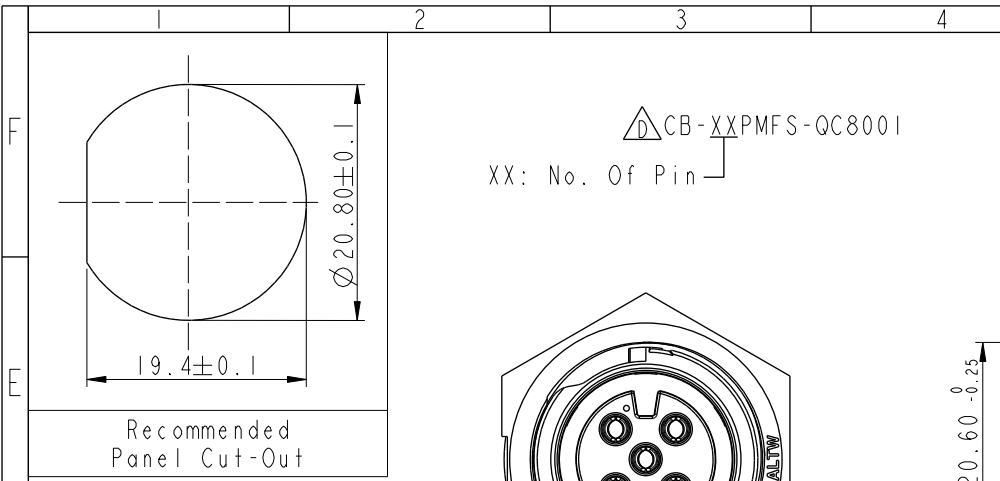


THIS DOCUMENT IS SUBJECT TO CHANGE WITHOUT NOTICE. IT IS CONFIDENTIAL AND A PROPERTY OF AMPHENOL LTW. DISCLOSURE TO THIRD PARTY HAS TO BE AUTHORIZED BY AMPHENOL LTW.

REV.	ECN NO.	DATE	SIGN	DESCRIPTION
C	C190470	2019/03/20	Vicky	Change Note
D	C220628	2022/05/09	Vicky	△D X4
E	C230084	2023/01/30	Vicky	△E XI



- Note:
- \* RoHS Compliant
  - \* Ⓞ Important dimension
  - \* Waterproof rate: IP68, unmated 1m/24h
  - \* Connector
  - Housing: Thermoplastic, Black
  - Pin: Copper Alloy, Gold plated
  - \* Nut: Thermoplastic, Black
  - \* Gasket: Rubber, Gray
  - \* Use with waterproof cap or dust cap  
Panel thickness max: 3.0mm
  - \* Use without waterproof cap or dust cap  
Panel thickness max: 4.2mm
  - \* Gasket and nut are packed separately in pe bag

UNIT: mm		TITLE XLOK, C-10A, FRONT FASTENED M, F, SOLDER, PUSH LOCK
TOLERANCE .X ±0.25 .XX ±0.1 .XXX ±0.05 ANGLES ±1°	SCALE 3:2	SIZE A4
	REV. E	SHEET 1 OF 1
	WC-REV. A.3	Ⓞ Inspection item

ITEM NO		DRAWN BY	DATE
		Vicky	2019-03-20
DWG NO		CHECKED BY	DATE
△CB-XXPMFS-QC8001		Rita	2019-03-20
CUSTOMER		APPROVED BY	DATE
ALTW		Max	2019-03-20

**Amphenol LTW**  
安費諾亮泰企業股份有限公司