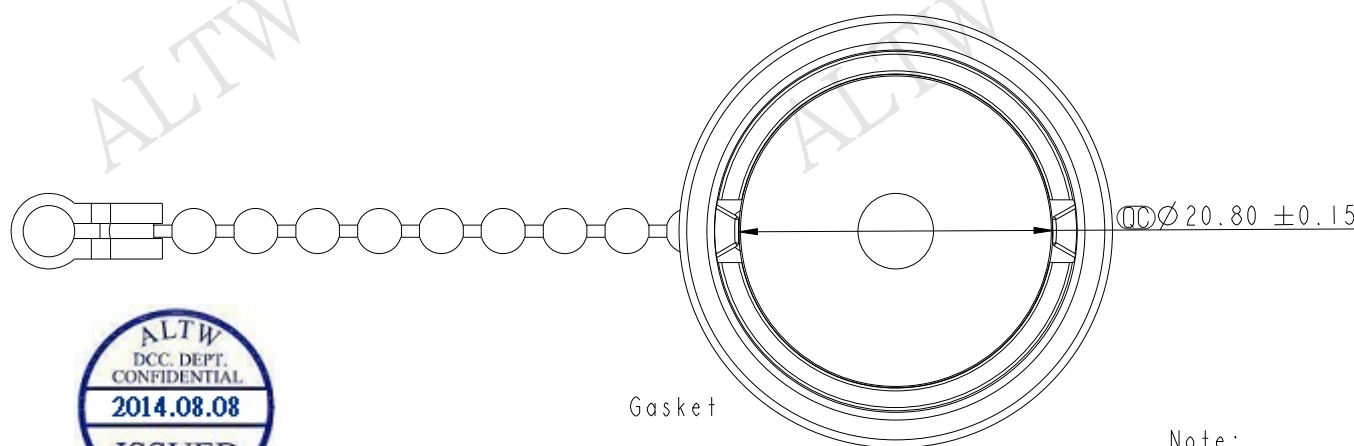
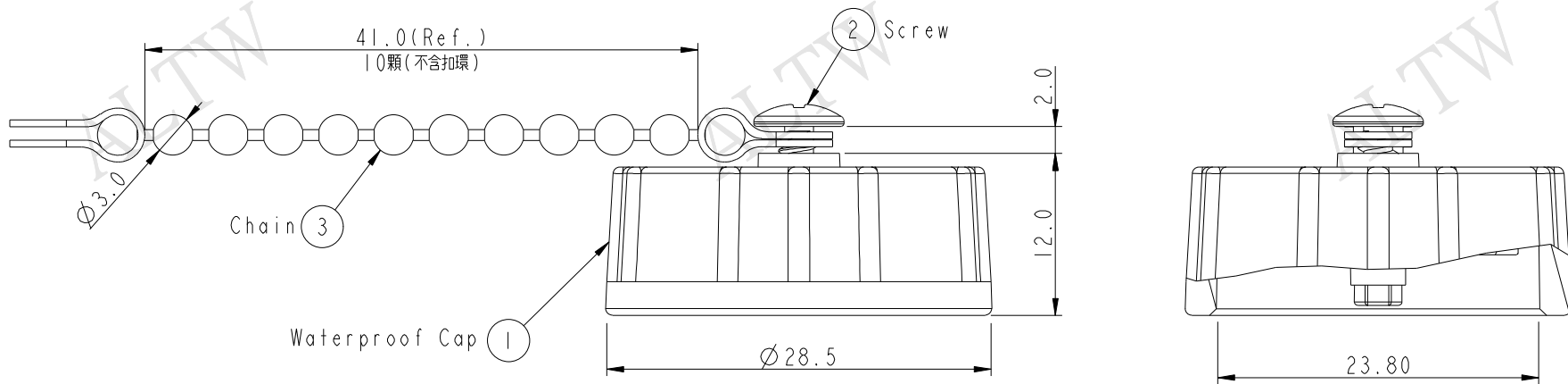


REV.	ECN NO.	DATE	SIGN	DESCRIPTION
A		2014-07-29	Feng_Li	Change 01 To A



ALTW
CONFIDENTIAL
2014-07-29
R&D DEPT.

ALTW
DCC. DEPT.
CONFIDENTIAL
2014.08.08
ISSUED

Note:
 * \varnothing Important Dimension To Check.
 * Waterproof Rate: IP67.
 * Cap: Nylon+GF, Black.
 * Gasket: Silicone 60, Black.
 * Screw is not allowed to tight (Chain be revolve)
 不可將螺絲鎖緊 (鏈條要可旋轉)

UNIT: mm			TITLE Waterproof Cap For Male Conn. D Size Lock Type (Use in USB & RJ)
TOLERANCE .X ±0.25 .XX ±0.1 .XXX ±0.05 ANGLES ±1°	SCALE 2:1	SIZE A4	SHEET 1 OF 1
REV. A	WC-REV. A.1	\varnothing : Inspection item	

Amphenol LTW
安費諾亮泰企業股份有限公司

ITEM NO. CAP-WADMLPB2	DRAWN BY Feng_Li	DATE 2014-07-29
DWG NO. CAP-WADMLPB2	CHECKED BY Di_Lu	DATE 2014-07-29
CUSTOMER ALTW	APPROVED BY Jerry	DATE 2014-07-29

THIS DOCUMENT IS SUBJECT TO CHANGE WITHOUT NOTICE. IT IS CONFIDENTIAL AND A PROPERTY OF AMPHENOL LTW. DISCLOSURE TO THIRD PARTY HAS TO BE AUTHORIZED BY AMPHENOL LTW.