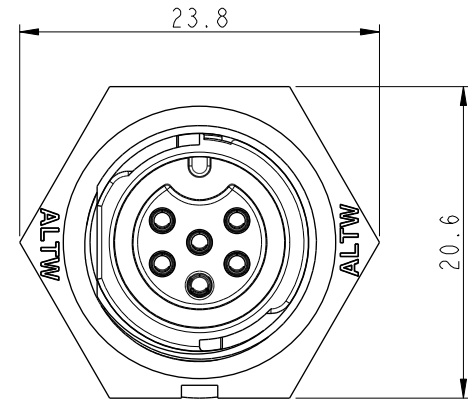
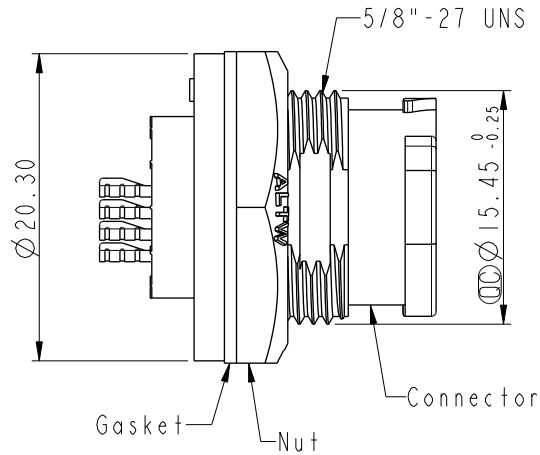
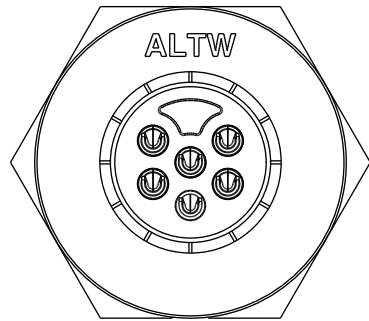
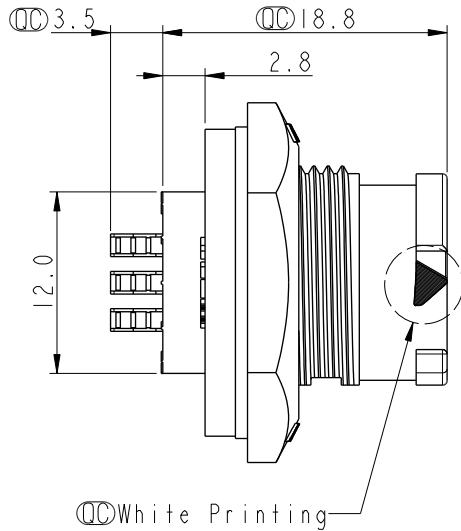


REV.	ECN NO.	DATE	SIGN	DESCRIPTION
B	C190411	2019/03/19	Vicky	Change Note
C	C220466	2022/04/13	Ruru	$\triangle C$ X7
D	C230086	2023/01/31	Ruru	$\triangle D$ XI

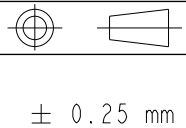


$\triangle C$   
BD-XXPMFS-QC8001  
XX: No. Of Pin



- Note:  $\triangle B \triangle C$
- \* RoHS Compliant
  - \*  $\text{CC}$  Important dimension
  - $\triangle D$  \* Waterproof rate: IP68, unmated 1m/24h
  - \* Connector
  - Housing: Thermoplastic, Black
  - Pin: Copper alloy, Gold plated
  - \* Nut: Thermoplastic, Black
  - \* Gasket: Rubber, Gray
  - \* Use with waterproof cap or dust cap  
Panel thickness max: 3.0mm
  - \* Use without waterproof cap or dust cap  
Panel thickness max: 4.0mm
  - \* Gasket and nut are packed separately  
in pe bag

UNIT:mm  
TOLERANCE



TITLE XLOK, B-5A, FRONT FASTENED M, F, SOLDER, PUSH LOCK $\triangle C$		
SCALE 2:1	SIZE A4	SHEET 1 OF 2
REV. D	WC-REV. A.3	$\text{CC}$ : Inspection item

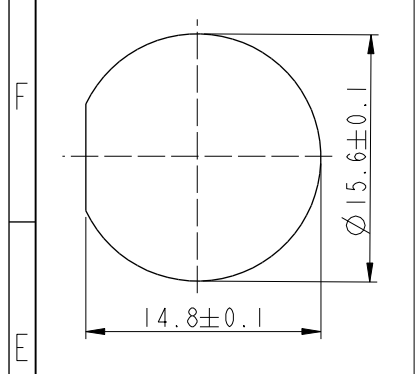
**Amphenol LTW**  
安費諾亮泰企業股份有限公司

ITEM NO.	DRAWN BY Vicky	DATE 2019-03-19
DWG NO. BD-XXPMFS-QC8001 $\triangle C$	CHECKED BY Rita	DATE 2019-03-19
CUSTOMER ALTW	APPROVED BY Max	DATE 2019-03-19

THIS DOCUMENT IS SUBJECT TO CHANGE WITHOUT NOTICE. IT IS CONFIDENTIAL AND A PROPERTY OF Amphenol LTW. DISCLOSURE TO THIRD PARTY HAS TO BE AUTHORIZED BY Amphenol LTW.

THIS DOCUMENT IS SUBJECT TO CHANGE WITHOUT NOTICE. IT IS CONFIDENTIAL AND A PROPERTY OF Amphenol LTW. DISCLOSURE TO THIRD PARTY HAS TO BE AUTHORIZED BY Amphenol LTW.

1 2 3 4 5 6 7 8



Recommended Panel Cut-out

F  
E

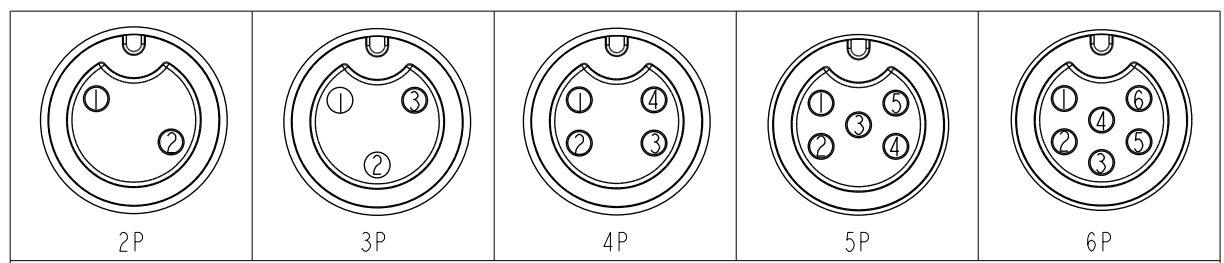
D

C

B

A

△



Pin Assignment Front View

UNIT: mm		
TOLERANCE	.X ± 0.25 mm	

TITLE XLOK, B-5A, FRONT FASTENED M, F, SOLDER, PUSH LOCK △		
SCALE 2:1	SIZE A4	SHEET 2 OF 2
REV. C	WC-REV. A.3	QC: Inspection item

**Amphenol LTW**  
安費諾亮泰企業股份有限公司

ITEM NO	DWG NO	CUSTOMER
	BD-XXPMFS-QC8001 △	ALTW

DRAWN BY Vicky	CHECKED BY Rita	APPROVED BY Max
-------------------	--------------------	--------------------

DATE 2019-03-19	DATE 2019-03-19	DATE 2019-03-19
--------------------	--------------------	--------------------

1 2 3 4 5 6 7 8 W10814-03-01A2