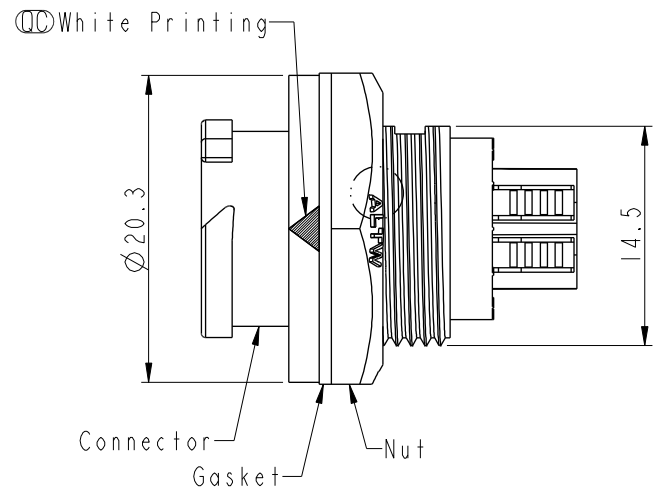
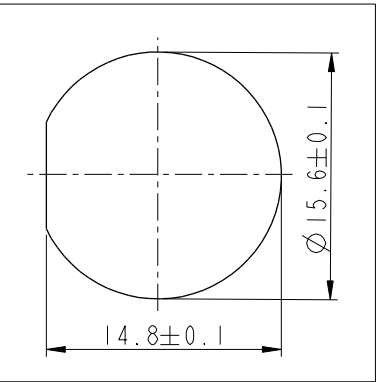
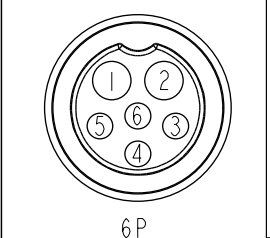
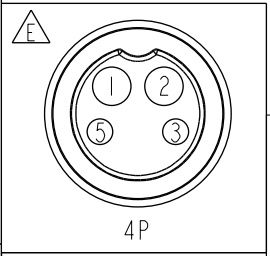
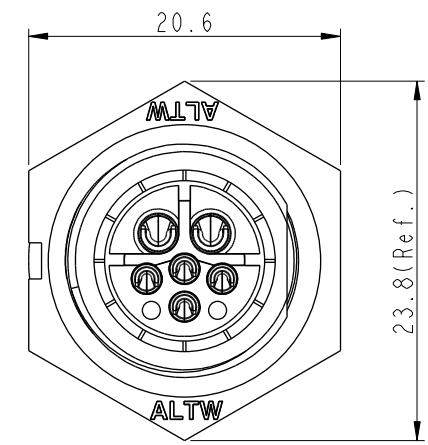
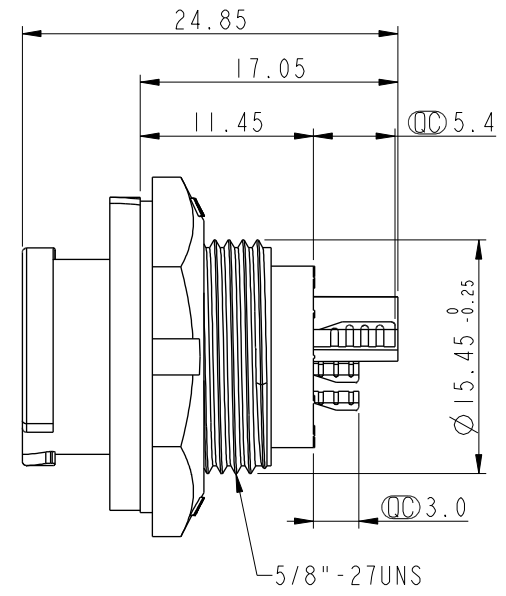
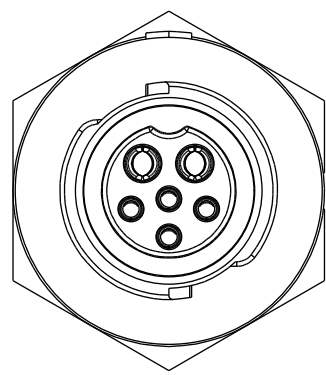


THIS DOCUMENT IS SUBJECT TO CHANGE WITHOUT NOTICE. IT IS CONFIDENTIAL AND A PROPERTY OF Amphenol LTW. DISCLOSURE TO THIRD PARTY HAS TO BE AUTHORIZED BY Amphenol LTW.

REV.	ECN NO.	DATE	SIGN	DESCRIPTION
C	C220644	2022/04/28	Ruru	X4
D	C230086	2023/01/31	Ruru	XI
E	C240009	2024/01/03	Arvin Chan	XI

BBD-XXRMFS-QC8001
XX: No. Of Pin



- Note:
- * RoHS Compliant
 - * Important dimension
 - * Waterproof rate: IP68, unmated 1m/24h
 - * Connector
 - Housing: Thermoplastic, Black
 - Pin: Copper alloy, Gold plated
 - * Nut: Thermoplastic, Black
 - * Gasket: Rubber, Gray
 - * For panel thickness max: 4.5mm
 - * Gasket and nut are packed separately in pe bag

Pin Assignment Front View

Recommended Panel Cut-out

UNIT:mm			TITLE XLOK, B-10A+5A, REAR FASTENED M, F, SOLDER, PUSH LOCK
TOLERANCE	.X ±0.25		SCALE 2:1
.XX ±0.1			SIZE A4
.XXX ±0.05			SHEET 1 OF 1
ANGLES ±1°			REV. E
			WC-REV. A.3
			Inspection item

Amphenol LTW
安費諾亮泰企業股份有限公司

ITEM NO	DRAWN BY	DATE
	Arvin Chan	2024-01-03
DWG NO	CHECKED BY	DATE
BBD-XXRMFS-QC8001	Fisher Wang	2024-01-03
CUSTOMER	APPROVED BY	DATE
ALTW	Fred Lee	2024-01-03