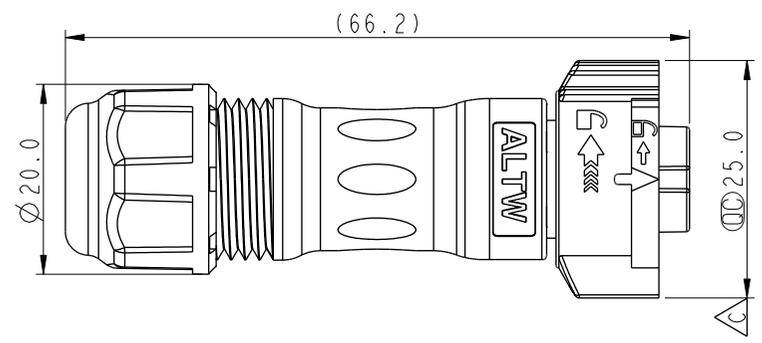
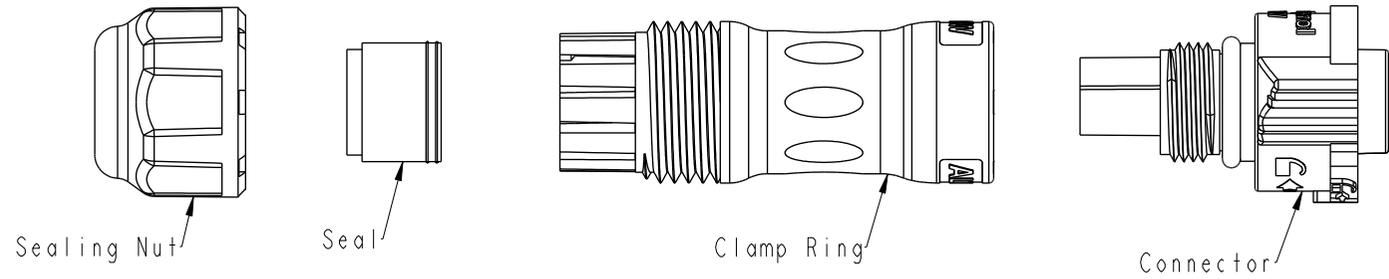
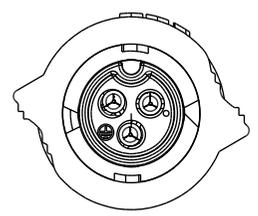
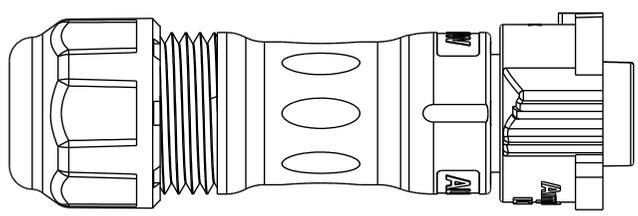


THIS DOCUMENT IS SUBJECT TO CHANGE WITHOUT NOTICE. IT IS CONFIDENTIAL AND A PROPERTY OF AMPHENOL LTW. DISCLOSURE TO THIRD PARTY HAS TO BE AUTHORIZED BY AMPHENOL LTW.

REV.	ECN NO.	DATE	SIGN	DESCRIPTION
B	C191299	2019/07/26	Jane	Update Ordering Information
C	C192018	2019/11/15	Vicky	△C X4
D	C231240	2023/09/22	Ruru	△D X2



BB-XXBFMA-QL8XPP  
 △D XX: No. Of Pin  
 S: With Red Color Seal 1, Cable OD 5.0~6.0mm.  
 M: With Yellow Color Seal 2, Cable OD 6.0~8.0mm.  
 L: With Blue Color Seal 3, Cable OD 8.0~10.0mm.  
 A: With Seal 1 & Seal 2 & Seal 3.



Pin Assignments Front View	2 Pin	3 Pin

- △C Note:
- \* ∅ Important Dimension
  - \* Waterproof Rate: IP68, mated 1m/24h
  - \* Housing: Thermoplastic, Black
  - \* Pin: Copper Alloy, Gold Plated
  - \* Clamp Ring: Thermoplastic, Black
  - \* Sealing Nut: Thermoplastic, Black
  - \* Seals: Rubber
  - △D \* One set unassembled in one pe bag

A	UNIT:mm		TITLE	XLOK, B-10A, CABLE W/O SR F, M, FI CRIMP, XLOK		ITEM NO	DRAWN BY	DATE						
	TOLERANCE	±0.5 mm	SCALE			1:1	SIZE	A4	SHEET	1 OF 1	DWG NO	BB-XXBFMA-QL8XPP △C	CHECKED BY	Brady
			REV.	D	WC-REV.	A.5	QC: Inspection item	CUSTOMER	ALTW	APPROVED BY	Neo	DATE	2019-07-26	

**Amphenol LTW**  
 安費諾亮泰企業股份有限公司