



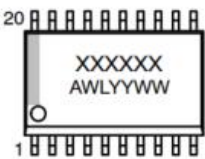
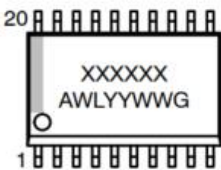
# Final Product/Process Change Notification

Document #:FPCN25572X20

Issue Date:29 Nov 2023

<b>Title of Change:</b>	Update to <b>FPCN25572X</b> - Info for SOICW-20 Only		
<b>Proposed First Ship date:</b>	23 Feb 2024 or earlier if approved by customer		
<b>Contact Information:</b>	Contact your local onsemi Sales Office or <a href="mailto:logic.fpcn@onsemi.com">logic.fpcn@onsemi.com</a>		
<b>PCN Samples Contact:</b>	Contact your local onsemi Sales Office. Sample requests are to be submitted no later than 30 days from the date of first notification, Initial PCN or Final PCN, for this change. Samples delivery timing will be subject to request date, sample quantity and special customer packing/label requirements.		
<b>Additional Reliability Data:</b>	Contact your local onsemi Sales Office or <a href="mailto:ChangKit.Mok@onsemi.com">ChangKit.Mok@onsemi.com</a>		
<b>Type of Notification:</b>	This is a Final Product/Process Change Notification (FPCN) sent to customers. FPCNs are issued 90 days prior to implementation of the change. onsemi will consider this change accepted, unless an inquiry is made in writing within 30 days of delivery of this notice. To do so, contact <a href="mailto:PCN.Support@onsemi.com">PCN.Support@onsemi.com</a>		
<b>Marking of Parts/ Traceability of Change:</b>	Custom source on label will show TW instead of US to indicate new die source from Vanguard. Changed material may be identified by plant code or lot code too.		
<b>Change Category:</b>	Assembly Change, Wafer Fab Change		
<b>Change Sub-Category(s):</b>	Manufacturing Site Transfer, Datasheet/Product Doc change		
<b>Sites Affected:</b>			
<b>onsemi Sites</b>	<b>External Foundry/Subcon Sites</b>		
onsemi Carmona, Philippines	Greatek Electronics Inc., Taiwan		
	Vanguard International Semiconductor, Taiwan		
<b>Description and Purpose:</b>			
With reference to <b>FPCN25572X</b> , this FPCN presents the information solely for SOICW-20 package.			
	<b>From</b>	<b>To</b>	
<b>Fab Site</b>	Tower Semiconductor	Vanguard International Semiconductor (VIS)	
<b>Wafer Size</b>	150 mm	200 mm	
	<b>From</b>	<b>To</b>	
<b>Assembly Site</b>	onsemi Carmona, Greatek	onsemi Carmona	Greatek
<b>Bond Wire</b>	0.8 mil Au, 0.8 mil Cu	1 mil PCC	1 mil PCC
<b>Die Attach</b>	CRM-1076WB	CRM-1076WB	EN4900GC
<b>Mold Compound</b>	G600, G700	G600	G600F

➤ **Marking change for specified parts listed in the marking embedded excel file:**

	From	To
<b>Product Marking Change</b>	 <p>XXXXXX = Specific Device Code            A = Assembly Location            WL, L = Wafer Lot Number            Y = Year            WW, YW = Work Week</p>	 <p>XXXXXX = Specific Device Code            A = Assembly Location            L/WL = Wafer Lot            Y/YY = Year            W/WW = Work Week            ■ or G = Pb-Free Package</p>

➤ **Case outline drawing update:**

	From	To
<b>Case Outline Document</b>	CASE 751D-05	CASE 751BJ-01

**Reliability Data Summary:**

➤ Refer to embedded excel RMS O89396 and O89402.

**To view attachments:**

1. Download pdf copy of the PCN to your computer
2. Open the downloaded pdf copy of the PCN
3. Click on the paper clip icon available on the menu provided in the left/bottom portion of the screen to reveal the Attachment field
4. Then click on the attached file.

**Electrical Characteristics Summary:**

	From	To
<b>Datasheet</b>	Current Revision	New Revision
<b>Absolute Max Voltage Rating</b>	7 V	6.5 V



# Final Product/Process Change Notification

Document #:FPCN25572X20

Issue Date:29 Nov 2023

## List of Affected Parts:

**Note:** Only the standard (off the shelf) part numbers are listed in the parts list. Any custom parts affected by this PCN are shown in the customer specific PCN addendum in the PCN email notification, or on the **PCN Customized Portal**.

Part Number	Qualification Vehicle
MC74HC541ADWR2G	MC74HC244ADWR2G, NLV74HC244ADWR2G
MC74ACT244DWR2G	MC74HC244ADWR2G, NLV74HC244ADWR2G
MC74HCT541ADWR2G	MC74HC244ADWR2G, NLV74HC244ADWR2G
MC74AC244DWR2G	MC74HC244ADWR2G, NLV74HC244ADWR2G
MC74ACT273DWR2G	MC74HC244ADWR2G, NLV74HC244ADWR2G
MC74AC541DWR2G	MC74HC244ADWR2G, NLV74HC244ADWR2G
74ACT245SCX	MC74HC244ADWR2G, NLV74HC244ADWR2G
MC74AC374DWR2G	MC74HC244ADWR2G, NLV74HC244ADWR2G
MC74HC273ADWR2G	MC74HC244ADWR2G, NLV74HC244ADWR2G
MC74ACT245DWR2G	MC74HC244ADWR2G, NLV74HC244ADWR2G
MM74HC244WMX	MC74HC244ADWR2G, NLV74HC244ADWR2G
MC74ACT541DWR2G	MC74HC244ADWR2G, NLV74HC244ADWR2G
MC74AC574DWR2G	MC74HC244ADWR2G, NLV74HC244ADWR2G
MC74AC245DWR2G	MC74HC244ADWR2G, NLV74HC244ADWR2G
MC74HC574ADWR2G	MC74HC244ADWR2G, NLV74HC244ADWR2G
MC74AC273DWR2G	MC74HC244ADWR2G, NLV74HC244ADWR2G
MC74HC245ADWR2G	MC74HC244ADWR2G, NLV74HC244ADWR2G
74AC244SCX	MC74HC244ADWR2G, NLV74HC244ADWR2G
MM74HC573WMX	MC74HC244ADWR2G, NLV74HC244ADWR2G
MC74HC573ADWR2G	MC74HC244ADWR2G, NLV74HC244ADWR2G
74AC541SCX	MC74HC244ADWR2G, NLV74HC244ADWR2G
MC74HC244ADWR2G	MC74HC244ADWR2G, NLV74HC244ADWR2G
MM74HC245AWMX	MC74HC244ADWR2G, NLV74HC244ADWR2G
MC74AC373DWR2G	MC74HC244ADWR2G, NLV74HC244ADWR2G
MC74ACT573DWR2G	MC74HC244ADWR2G, NLV74HC244ADWR2G
MM74HCT541WMX	MC74HC244ADWR2G, NLV74HC244ADWR2G
MC74AC573DWR2G	MC74HC244ADWR2G, NLV74HC244ADWR2G
MC74HCT244ADWR2G	MC74HC244ADWR2G, NLV74HC244ADWR2G
74ACT541SCX	MC74HC244ADWR2G, NLV74HC244ADWR2G



# Final Product/Process Change Notification

Document #:FPCN25572X20

Issue Date:29 Nov 2023

MC74ACT373DWR2G	MC74HC244ADWR2G, NLV74HC244ADWR2G
MM74HCT574WMX	MC74HC244ADWR2G, NLV74HC244ADWR2G
74AC240SCX	MC74HC244ADWR2G, NLV74HC244ADWR2G
MC74HCT245ADWR2G	MC74HC244ADWR2G, NLV74HC244ADWR2G
MC74HC540ADWR2G	MC74HC244ADWR2G, NLV74HC244ADWR2G
MM74HC374WM	MC74HC244ADWR2G, NLV74HC244ADWR2G
74ACT244SCX	MC74HC244ADWR2G, NLV74HC244ADWR2G
74AC245SCX	MC74HC244ADWR2G, NLV74HC244ADWR2G
MC74HC373ADWR2G	MC74HC244ADWR2G, NLV74HC244ADWR2G
MC74HCT273ADWR2G	MC74HC244ADWR2G, NLV74HC244ADWR2G
MC74HCT574ADWR2G	MC74HC244ADWR2G, NLV74HC244ADWR2G
MM74HC373WMX	MC74HC244ADWR2G, NLV74HC244ADWR2G
MC74HC374ADWR2G	MC74HC244ADWR2G, NLV74HC244ADWR2G
MC74ACT540DWR2G	MC74HC244ADWR2G, NLV74HC244ADWR2G
MM74HCT244WMX	MC74HC244ADWR2G, NLV74HC244ADWR2G
74ACT244SC	MC74HC244ADWR2G, NLV74HC244ADWR2G
MC74ACT574DWR2G	MC74HC244ADWR2G, NLV74HC244ADWR2G
MM74HC273WMX	MC74HC244ADWR2G, NLV74HC244ADWR2G
74ACT541SC	MC74HC244ADWR2G, NLV74HC244ADWR2G
MM74HC245AWM	MC74HC244ADWR2G, NLV74HC244ADWR2G
MC74HC245ADWG	MC74HC244ADWR2G, NLV74HC244ADWR2G
MM74HC540WMX	MC74HC244ADWR2G, NLV74HC244ADWR2G
MC74HCT573ADWR2G	MC74HC244ADWR2G, NLV74HC244ADWR2G
MM74HC244WM	MC74HC244ADWR2G, NLV74HC244ADWR2G
74ACT245SC	MC74HC244ADWR2G, NLV74HC244ADWR2G
MC74AC273DWG	MC74HC244ADWR2G, NLV74HC244ADWR2G
74AC244SC	MC74HC244ADWR2G, NLV74HC244ADWR2G
MC74ACT273DWG	MC74HC244ADWR2G, NLV74HC244ADWR2G
MC74ACT244DWG	MC74HC244ADWR2G, NLV74HC244ADWR2G
MC74ACT374DWR2G	MC74HC244ADWR2G, NLV74HC244ADWR2G
MM74HC240WMX	MC74HC244ADWR2G, NLV74HC244ADWR2G
MC74ACT541DWG	MC74HC244ADWR2G, NLV74HC244ADWR2G
MC74AC540DWR2G	MC74HC244ADWR2G, NLV74HC244ADWR2G
MM74HCT245WMX	MC74HC244ADWR2G, NLV74HC244ADWR2G



# Final Product/Process Change Notification

Document #:FPCN25572X20

Issue Date:29 Nov 2023

MM74HC573WM	MC74HC244ADWR2G, NLV74HC244ADWR2G
MM74HC373WM	MC74HC244ADWR2G, NLV74HC244ADWR2G
MC74HC541ADWG	MC74HC244ADWR2G, NLV74HC244ADWR2G
MM74HC541WM	MC74HC244ADWR2G, NLV74HC244ADWR2G
74AC541SC	MC74HC244ADWR2G, NLV74HC244ADWR2G
MC74AC541DWG	MC74HC244ADWR2G, NLV74HC244ADWR2G
MM74HCT244WM	MC74HC244ADWR2G, NLV74HC244ADWR2G
MC74AC245DWG	MC74HC244ADWR2G, NLV74HC244ADWR2G
MC74ACT377DWR2G	MC74HC244ADWR2G, NLV74HC244ADWR2G
MC74HC273ADWG	MC74HC244ADWR2G, NLV74HC244ADWR2G
74AC540SCX	MC74HC244ADWR2G, NLV74HC244ADWR2G
MC74AC574DWG	MC74HC244ADWR2G, NLV74HC244ADWR2G
MC74AC573DWG	MC74HC244ADWR2G, NLV74HC244ADWR2G
MC74ACT245DWG	MC74HC244ADWR2G, NLV74HC244ADWR2G
MM74HC374WMX	MC74HC244ADWR2G, NLV74HC244ADWR2G
MM74HCT245WM	MC74HC244ADWR2G, NLV74HC244ADWR2G
74ACT240SCX	MC74HC244ADWR2G, NLV74HC244ADWR2G
MC74HC244ADWG	MC74HC244ADWR2G, NLV74HC244ADWR2G
MC74ACT573DWG	MC74HC244ADWR2G, NLV74HC244ADWR2G
MC74HCT245ADWG	MC74HC244ADWR2G, NLV74HC244ADWR2G
MC74AC377DWR2G	MC74HC244ADWR2G, NLV74HC244ADWR2G
MC74HC373ADWG	MC74HC244ADWR2G, NLV74HC244ADWR2G
MM74HC541WMX	MC74HC244ADWR2G, NLV74HC244ADWR2G
MC74HC573ADWG	MC74HC244ADWR2G, NLV74HC244ADWR2G
MC74HCT273ADWG	MC74HC244ADWR2G, NLV74HC244ADWR2G
MC74HCT374ADWR2G	MC74HC244ADWR2G, NLV74HC244ADWR2G
MC74HC240ADWR2G	MC74HC244ADWR2G, NLV74HC244ADWR2G
MC74AC374DWG	MC74HC244ADWR2G, NLV74HC244ADWR2G
MC74AC373DWG	MC74HC244ADWR2G, NLV74HC244ADWR2G
MC74HCT244ADWG	MC74HC244ADWR2G, NLV74HC244ADWR2G
MC74ACT640DWR2G	MC74HC244ADWR2G, NLV74HC244ADWR2G
MC74AC244DWG	MC74HC244ADWR2G, NLV74HC244ADWR2G
MM74HC540WM	MC74HC244ADWR2G, NLV74HC244ADWR2G
MM74HCT574WM	MC74HC244ADWR2G, NLV74HC244ADWR2G



# Final Product/Process Change Notification

Document #:FPCN25572X20

Issue Date:29 Nov 2023

MC74HCT541ADWG	MC74HC244ADWR2G, NLV74HC244ADWR2G
MM74HCT573WMX	MC74HC244ADWR2G, NLV74HC244ADWR2G
MM74HC273WM	MC74HC244ADWR2G, NLV74HC244ADWR2G
MC74HC374ADWG	MC74HC244ADWR2G, NLV74HC244ADWR2G
MC74ACT574DWG	MC74HC244ADWR2G, NLV74HC244ADWR2G
MC74HCT373ADWR2G	MC74HC244ADWR2G, NLV74HC244ADWR2G
MC74HC240ADWG	MC74HC244ADWR2G, NLV74HC244ADWR2G
MC74ACT240DWR2G	MC74HC244ADWR2G, NLV74HC244ADWR2G
MM74HCT541WM	MC74HC244ADWR2G, NLV74HC244ADWR2G
MC74HC574ADWG	MC74HC244ADWR2G, NLV74HC244ADWR2G
MC74ACT373DWG	MC74HC244ADWR2G, NLV74HC244ADWR2G
MM74HCT273WM	MC74HC244ADWR2G, NLV74HC244ADWR2G
MC74ACT540DWG	MC74HC244ADWR2G, NLV74HC244ADWR2G
MC74AC240DWR2G	MC74HC244ADWR2G, NLV74HC244ADWR2G
MC74HC540ADWG	MC74HC244ADWR2G, NLV74HC244ADWR2G
MM74HCT273WMX	MC74HC244ADWR2G, NLV74HC244ADWR2G
MC74HCT573ADWG	MC74HC244ADWR2G, NLV74HC244ADWR2G
MC74ACT374DWG	MC74HC244ADWR2G, NLV74HC244ADWR2G
MC74HCT373ADWG	MC74HC244ADWR2G, NLV74HC244ADWR2G
MC74AC540DWG	MC74HC244ADWR2G, NLV74HC244ADWR2G
MM74HC240WM	MC74HC244ADWR2G, NLV74HC244ADWR2G
MM74HCT374WMX	MC74HC244ADWR2G, NLV74HC244ADWR2G
MM74HCT373WMX	MC74HC244ADWR2G, NLV74HC244ADWR2G
MM74HCT374WM	MC74HC244ADWR2G, NLV74HC244ADWR2G
MC74ACT241DWR2G	MC74HC244ADWR2G, NLV74HC244ADWR2G
MC74HCT241ADWR2G	MC74HC244ADWR2G, NLV74HC244ADWR2G
MC74HCT374ADWG	MC74HC244ADWR2G, NLV74HC244ADWR2G

**Appendix A: Changed Products**

**PCN#: FPCN25572X20**  
**Issue Date: Nov 29, 2023**

DIKG: DIGI-KEY (page 1 of 7)

Product	Customer Part Number	Qualification Vehicle	New Part Number	Replacement Supplier
MC74HCT374ADWG		MC74HC244ADWR2G, NLV74HC244ADWR2G	NA	
MM74HC240WM		MC74HC244ADWR2G, NLV74HC244ADWR2G	NA	
MC74AC540DWG		MC74HC244ADWR2G, NLV74HC244ADWR2G	NA	
MC74HCT373ADWG		MC74HC244ADWR2G, NLV74HC244ADWR2G	NA	
MC74ACT374DWG		MC74HC244ADWR2G, NLV74HC244ADWR2G	NA	
MC74HCT573ADWG		MC74HC244ADWR2G, NLV74HC244ADWR2G	NA	
MM74HCT273WMX		MC74HC244ADWR2G, NLV74HC244ADWR2G	NA	
MC74HC540ADWG		MC74HC244ADWR2G, NLV74HC244ADWR2G	NA	
MC74AC240DWR2G		MC74HC244ADWR2G, NLV74HC244ADWR2G	NA	
MC74ACT540DWG		MC74HC244ADWR2G, NLV74HC244ADWR2G	NA	
MM74HCT273WM		MC74HC244ADWR2G, NLV74HC244ADWR2G	NA	
MC74ACT373DWG		MC74HC244ADWR2G, NLV74HC244ADWR2G	NA	
MC74HC574ADWG		MC74HC244ADWR2G, NLV74HC244ADWR2G	NA	
MM74HCT374WM		MC74HC244ADWR2G, NLV74HC244ADWR2G	NA	
MM74HCT373WMX		MC74HC244ADWR2G, NLV74HC244ADWR2G	NA	
MC74ACT240DWR2G		MC74HC244ADWR2G, NLV74HC244ADWR2G	NA	
MM74HCT541WM		MC74HC244ADWR2G, NLV74HC244ADWR2G	NA	
MC74HCT373ADWR2G		MC74HC244ADWR2G, NLV74HC244ADWR2G	NA	
MC74HC240ADWG		MC74HC244ADWR2G, NLV74HC244ADWR2G	NA	
MC74HC374ADWG		MC74HC244ADWR2G, NLV74HC244ADWR2G	NA	

**Appendix A: Changed Products**

**PCN#: FPCN25572X20**  
**Issue Date: Nov 29, 2023**

DIKG: DIGI-KEY (page 2 of 7)

Product	Customer Part Number	Qualification Vehicle	New Part Number	Replacement Supplier
MC74ACT574DWG		MC74HC244ADWR2G, NLV74HC244ADWR2G	NA	
MM74HCT573WMX		MC74HC244ADWR2G, NLV74HC244ADWR2G	NA	
MM74HC273WM		MC74HC244ADWR2G, NLV74HC244ADWR2G	NA	
MC74HCT541ADWG		MC74HC244ADWR2G, NLV74HC244ADWR2G	NA	
MM74HC540WM		MC74HC244ADWR2G, NLV74HC244ADWR2G	NA	
MM74HCT574WM		MC74HC244ADWR2G, NLV74HC244ADWR2G	NA	
MC74HCT244ADWG		MC74HC244ADWR2G, NLV74HC244ADWR2G	NA	
MC74AC244DWG		MC74HC244ADWR2G, NLV74HC244ADWR2G	NA	
MC74AC373DWG		MC74HC244ADWR2G, NLV74HC244ADWR2G	NA	
MC74AC374DWG		MC74HC244ADWR2G, NLV74HC244ADWR2G	NA	
MC74HCT374ADWR2G		MC74HC244ADWR2G, NLV74HC244ADWR2G	NA	
MC74HC240ADWR2G		MC74HC244ADWR2G, NLV74HC244ADWR2G	NA	
MC74HC573ADWG		MC74HC244ADWR2G, NLV74HC244ADWR2G	NA	
MC74HCT273ADWG		MC74HC244ADWR2G, NLV74HC244ADWR2G	NA	
MC74HC373ADWG		MC74HC244ADWR2G, NLV74HC244ADWR2G	NA	
MC74AC377DWR2G		MC74HC244ADWR2G, NLV74HC244ADWR2G	NA	
MM74HC541WMX		MC74HC244ADWR2G, NLV74HC244ADWR2G	NA	
MC74HCT245ADWG		MC74HC244ADWR2G, NLV74HC244ADWR2G	NA	
MC74HC244ADWG		MC74HC244ADWR2G, NLV74HC244ADWR2G	NA	
MC74ACT573DWG		MC74HC244ADWR2G, NLV74HC244ADWR2G	NA	



**Appendix A: Changed Products**

**PCN#: FPCN25572X20**  
**Issue Date: Nov 29, 2023**

DIKG: DIGI-KEY (page 3 of 7)

Product	Customer Part Number	Qualification Vehicle	New Part Number	Replacement Supplier
MM74HCT245WM		MC74HC244ADWR2G, NLV74HC244ADWR2G	NA	
74ACT240SCX		MC74HC244ADWR2G, NLV74HC244ADWR2G	NA	
MC74ACT245DWG		MC74HC244ADWR2G, NLV74HC244ADWR2G	NA	
MM74HC374WMX		MC74HC244ADWR2G, NLV74HC244ADWR2G	NA	
MC74AC573DWG		MC74HC244ADWR2G, NLV74HC244ADWR2G	NA	
MC74AC574DWG		MC74HC244ADWR2G, NLV74HC244ADWR2G	NA	
MC74HC273ADWG		MC74HC244ADWR2G, NLV74HC244ADWR2G	NA	
74AC540SCX		MC74HC244ADWR2G, NLV74HC244ADWR2G	NA	
MC74AC245DWG		MC74HC244ADWR2G, NLV74HC244ADWR2G	NA	
MC74ACT377DWR2G		MC74HC244ADWR2G, NLV74HC244ADWR2G	NA	
MM74HCT244WM		MC74HC244ADWR2G, NLV74HC244ADWR2G	NA	
74AC541SC		MC74HC244ADWR2G, NLV74HC244ADWR2G	NA	
MC74AC541DWG		MC74HC244ADWR2G, NLV74HC244ADWR2G	NA	
MC74HC541ADWG		MC74HC244ADWR2G, NLV74HC244ADWR2G	NA	
MM74HC541WM		MC74HC244ADWR2G, NLV74HC244ADWR2G	NA	
MM74HC573WM		MC74HC244ADWR2G, NLV74HC244ADWR2G	NA	
MM74HC373WM		MC74HC244ADWR2G, NLV74HC244ADWR2G	NA	
MC74AC540DWR2G		MC74HC244ADWR2G, NLV74HC244ADWR2G	NA	
MM74HCT245WMX		MC74HC244ADWR2G, NLV74HC244ADWR2G	NA	
MM74HC240WMX		MC74HC244ADWR2G, NLV74HC244ADWR2G	NA	

**Appendix A: Changed Products**

**PCN#: FPCN25572X20**  
**Issue Date: Nov 29, 2023**

DIKG: DIGI-KEY (page 4 of 7)

Product	Customer Part Number	Qualification Vehicle	New Part Number	Replacement Supplier
MC74ACT541DWG		MC74HC244ADWR2G, NLV74HC244ADWR2G	NA	
MC74ACT244DWG		MC74HC244ADWR2G, NLV74HC244ADWR2G	NA	
MC74ACT374DWR2G		MC74HC244ADWR2G, NLV74HC244ADWR2G	NA	
74AC244SC	74AC244SC-ND	MC74HC244ADWR2G, NLV74HC244ADWR2G	NA	
MC74ACT273DWG		MC74HC244ADWR2G, NLV74HC244ADWR2G	NA	
74ACT245SC		MC74HC244ADWR2G, NLV74HC244ADWR2G	NA	
MC74AC273DWG		MC74HC244ADWR2G, NLV74HC244ADWR2G	NA	
MC74HCT573ADWR2G		MC74HC244ADWR2G, NLV74HC244ADWR2G	NA	
MM74HC244WM	MM74HC244WM-ND	MC74HC244ADWR2G, NLV74HC244ADWR2G	NA	
MM74HC540WMX		MC74HC244ADWR2G, NLV74HC244ADWR2G	NA	
MM74HC245AWM		MC74HC244ADWR2G, NLV74HC244ADWR2G	NA	
MC74HC245ADWG		MC74HC244ADWR2G, NLV74HC244ADWR2G	NA	
MM74HC273WMX		MC74HC244ADWR2G, NLV74HC244ADWR2G	NA	
74ACT541SC		MC74HC244ADWR2G, NLV74HC244ADWR2G	NA	
MC74ACT574DWR2G		MC74HC244ADWR2G, NLV74HC244ADWR2G	NA	
MM74HCT244WMX		MC74HC244ADWR2G, NLV74HC244ADWR2G	NA	
74ACT244SC		MC74HC244ADWR2G, NLV74HC244ADWR2G	NA	
MC74HC374ADWR2G		MC74HC244ADWR2G, NLV74HC244ADWR2G	NA	
MC74ACT540DWR2G		MC74HC244ADWR2G, NLV74HC244ADWR2G	NA	
MC74HCT574ADWR2G		MC74HC244ADWR2G, NLV74HC244ADWR2G	NA	

**Appendix A: Changed Products**

**PCN#: FPCN25572X20**  
**Issue Date: Nov 29, 2023**

DIKG: DIGI-KEY (page 5 of 7)

Product	Customer Part Number	Qualification Vehicle	New Part Number	Replacement Supplier
MM74HC373WMX		MC74HC244ADWR2G, NLV74HC244ADWR2G	NA	
MC74HC373ADWR2G		MC74HC244ADWR2G, NLV74HC244ADWR2G	NA	
MC74HCT273ADWR2G		MC74HC244ADWR2G, NLV74HC244ADWR2G	NA	
74ACT244SCX		MC74HC244ADWR2G, NLV74HC244ADWR2G	NA	
74AC245SCX		MC74HC244ADWR2G, NLV74HC244ADWR2G	NA	
MC74HC540ADWR2G		MC74HC244ADWR2G, NLV74HC244ADWR2G	NA	
MM74HC374WM		MC74HC244ADWR2G, NLV74HC244ADWR2G	NA	
74AC240SCX		MC74HC244ADWR2G, NLV74HC244ADWR2G	NA	
MC74HCT245ADWR2G		MC74HC244ADWR2G, NLV74HC244ADWR2G	NA	
74ACT541SCX		MC74HC244ADWR2G, NLV74HC244ADWR2G	NA	
MC74ACT373DWR2G		MC74HC244ADWR2G, NLV74HC244ADWR2G	NA	
MC74HCT244ADWR2G		MC74HC244ADWR2G, NLV74HC244ADWR2G	NA	
MC74AC573DWR2G		MC74HC244ADWR2G, NLV74HC244ADWR2G	NA	
MC74ACT573DWR2G		MC74HC244ADWR2G, NLV74HC244ADWR2G	NA	
MM74HCT541WMX		MC74HC244ADWR2G, NLV74HC244ADWR2G	NA	
MM74HC245AWMX		MC74HC244ADWR2G, NLV74HC244ADWR2G	NA	
MC74AC373DWR2G		MC74HC244ADWR2G, NLV74HC244ADWR2G	NA	
74AC541SCX		MC74HC244ADWR2G, NLV74HC244ADWR2G	NA	
MC74HC244ADWR2G		MC74HC244ADWR2G, NLV74HC244ADWR2G	NA	
MM74HC573WMX		MC74HC244ADWR2G, NLV74HC244ADWR2G	NA	

**Appendix A: Changed Products**

**PCN#: FPCN25572X20**  
**Issue Date: Nov 29, 2023**

DIKG: DIGI-KEY (page 6 of 7)

Product	Customer Part Number	Qualification Vehicle	New Part Number	Replacement Supplier
MC74HC573ADWR2G		MC74HC244ADWR2G, NLV74HC244ADWR2G	NA	
74AC244SCX		MC74HC244ADWR2G, NLV74HC244ADWR2G	NA	
MC74AC273DWR2G		MC74HC244ADWR2G, NLV74HC244ADWR2G	NA	
MC74HC245ADWR2G		MC74HC244ADWR2G, NLV74HC244ADWR2G	NA	
MC74AC245DWR2G		MC74HC244ADWR2G, NLV74HC244ADWR2G	NA	
MC74HC574ADWR2G		MC74HC244ADWR2G, NLV74HC244ADWR2G	NA	
MC74HC541ADWR2G		MC74HC244ADWR2G, NLV74HC244ADWR2G	NA	
MC74AC574DWR2G		MC74HC244ADWR2G, NLV74HC244ADWR2G	NA	
MC74HCT541ADWR2G		MC74HC244ADWR2G, NLV74HC244ADWR2G	NA	
MC74ACT244DWR2G		MC74HC244ADWR2G, NLV74HC244ADWR2G	NA	
MC74ACT273DWR2G		MC74HC244ADWR2G, NLV74HC244ADWR2G	NA	
MC74AC244DWR2G		MC74HC244ADWR2G, NLV74HC244ADWR2G	NA	
74ACT245SCX		MC74HC244ADWR2G, NLV74HC244ADWR2G	NA	
MC74AC541DWR2G		MC74HC244ADWR2G, NLV74HC244ADWR2G	NA	
MC74HC273ADWR2G		MC74HC244ADWR2G, NLV74HC244ADWR2G	NA	
MC74AC374DWR2G		MC74HC244ADWR2G, NLV74HC244ADWR2G	NA	
MM74HC244WMX		MC74HC244ADWR2G, NLV74HC244ADWR2G	NA	
MC74ACT245DWR2G		MC74HC244ADWR2G, NLV74HC244ADWR2G	NA	
MM74HCT574WMX		MC74HC244ADWR2G, NLV74HC244ADWR2G	NA	
MC74ACT541DWR2G		MC74HC244ADWR2G, NLV74HC244ADWR2G	NA	

---

**Appendix A: Changed Products****PCN#: FPCN25572X20**  
**Issue Date: Nov 29, 2023**

---

DIKG: DIGI-KEY (page 7 of 7)

---

Product	Customer Part Number	Qualification Vehicle	New Part Number	Replacement Supplier
MC74HCT241ADWR2G		MC74HC244ADWR2G, NLV74HC244ADWR2G	NA	