

REV. P-2+	SHEET 1 OF 4	DOCUMENT NO. CF-020400-076
REVISIONS		
LTR	DESCRIPTION	DATE
P-2+	PRELIMINARY DESIGN	04/08/21

CF-020400-076

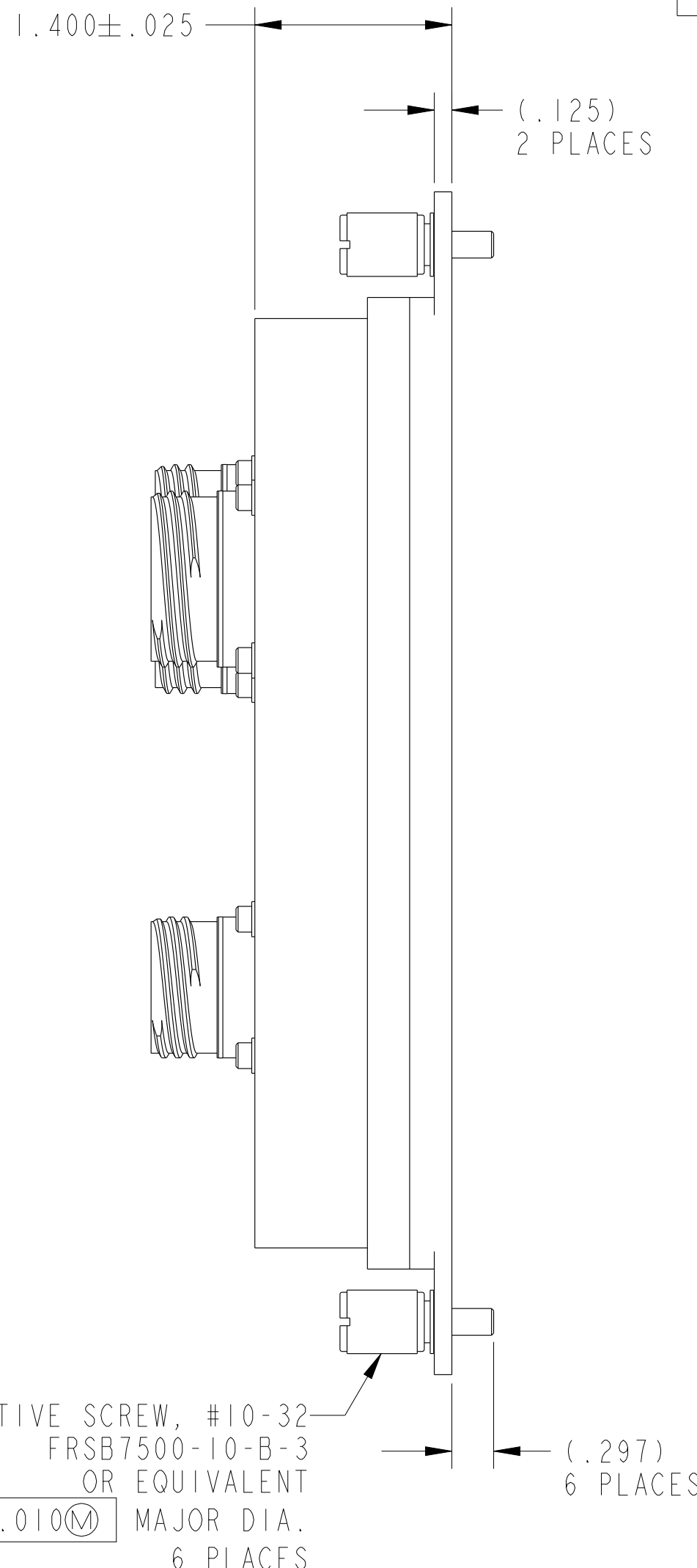
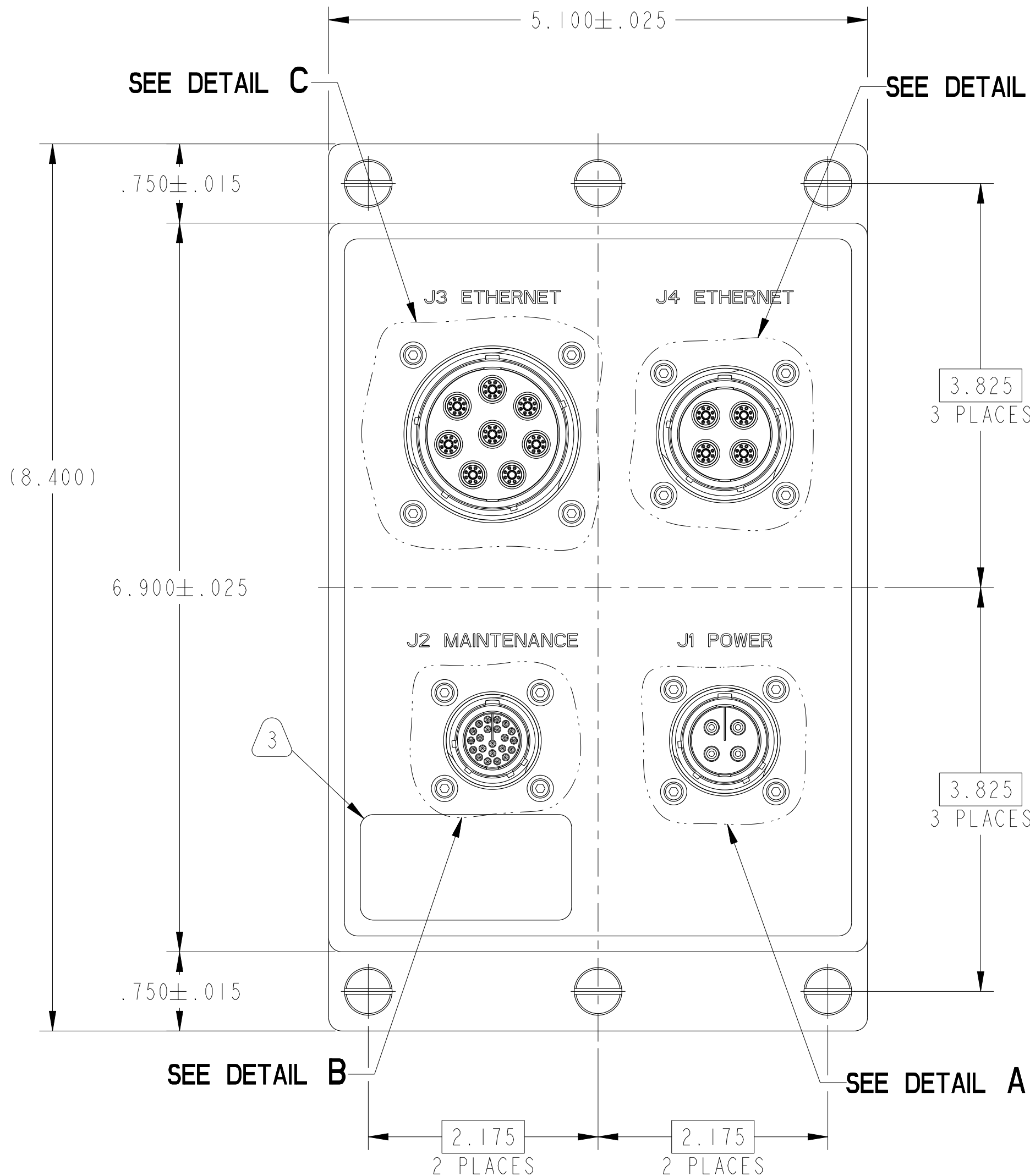
SHEET 1 OF 4

REV. P-2+

C

B

A



PRELIMINARY DRAWING REVISION: P-2+



ATTENTION OBSERVE PRECAUTIONS FOR HANDLING ELECTROSTATIC SENSITIVE DEVICES

SEE SHEET 2

NOTES:

THE USE OF THIS DOCUMENT IS UNLIMITED. HOWEVER, DOCUMENTS REFERENCED HEREON MAY CONTAIN LIMITED RIGHTS DATA.

PRELIMINARY DRAWING REVISION: P-2+

NONE NEXT ASSEMBLY

PRO/ENGINEER INFORMATION  
 Pro/e Model Used:  
 CF-020400-076.ASSEM  
 Drawing Name:  
 CF-020400-076

UNLESS OTHERWISE SPECIFIED	SPECIFICATIONS	POS	QTY	PART NUMBER	DESCRIPTION	NOTE																		
LINEAR DIMENSIONS ARE IN INCHES TOLERANCES: .XXXX = ±.0005 ANGLES= ±2° .XXX = ±.010 .XX = ±.03 .X = ±.1 DIM. & TOL. PER ASME Y14.5M; DRM PER MIL-STD-31000; OTHER Amphenol Stds. PER 9-3800 LEGENDS: =FLAG NOTE CALL OUT REFERENCE ONLY	MATERIAL SPEC.	<table border="1"> <tr> <th colspan="2">APPROVALS</th> <th>DATE</th> </tr> <tr> <td>PREPARED BY</td> <td>W. LEE</td> <td rowspan="3">06-Apr-21</td> </tr> <tr> <td>ENGINEER IN CHARGE</td> <td>W. LEE</td> </tr> <tr> <td>DESIGN MANAGER</td> <td>J. ROTHROCK</td> </tr> <tr> <td>DESIGN ACTIVITY GROUP</td> <td>CI</td> <td></td> </tr> </table>					APPROVALS		DATE	PREPARED BY	W. LEE	06-Apr-21	ENGINEER IN CHARGE	W. LEE	DESIGN MANAGER	J. ROTHROCK	DESIGN ACTIVITY GROUP	CI						
	APPROVALS						DATE																	
PREPARED BY	W. LEE	06-Apr-21																						
ENGINEER IN CHARGE	W. LEE																							
DESIGN MANAGER	J. ROTHROCK																							
DESIGN ACTIVITY GROUP	CI																							
PROCESS SPEC.	SEE NOTE 6	<table border="1"> <tr> <th colspan="2">PARTS LIST</th> </tr> <tr> <td colspan="2" style="text-align: center;"> <b>AMPHENOL CORPORATION</b>  <small>40-60 DELAWARE AVENUE            SIDNEY, N.Y. 13858</small> </td> </tr> <tr> <td colspan="2" style="text-align: center;"> <b>NETWORK SWITCH</b>  <b>12X 10GBase-T</b>  <b>SHADOWLORD DESTINY</b> </td> </tr> <tr> <td>SIZE</td> <td>C</td> </tr> <tr> <td>CAGE CODE</td> <td>77820</td> </tr> <tr> <td>DOCUMENT NO.</td> <td>CF-020400-076</td> </tr> <tr> <td>REV.</td> <td>P-2+</td> </tr> <tr> <td>SCALE: 1.0</td> <td>REF. CF-020011-433</td> </tr> <tr> <td colspan="2" style="text-align: right;">SHEET 1 OF 4</td> </tr> </table>					PARTS LIST		<b>AMPHENOL CORPORATION</b> <small>40-60 DELAWARE AVENUE            SIDNEY, N.Y. 13858</small>		<b>NETWORK SWITCH</b> <b>12X 10GBase-T</b> <b>SHADOWLORD DESTINY</b>		SIZE	C	CAGE CODE	77820	DOCUMENT NO.	CF-020400-076	REV.	P-2+	SCALE: 1.0	REF. CF-020011-433	SHEET 1 OF 4	
PARTS LIST																								
<b>AMPHENOL CORPORATION</b> <small>40-60 DELAWARE AVENUE            SIDNEY, N.Y. 13858</small>																								
<b>NETWORK SWITCH</b> <b>12X 10GBase-T</b> <b>SHADOWLORD DESTINY</b>																								
SIZE	C																							
CAGE CODE	77820																							
DOCUMENT NO.	CF-020400-076																							
REV.	P-2+																							
SCALE: 1.0	REF. CF-020011-433																							
SHEET 1 OF 4																								

CF-020400-076

SHEET 1 OF 4

REV. P-2+

Eng. PDM Information For Reference Only

REVISION

VERSION 2

C

D

### CONNECTOR LIST

CONNECTOR DESIGNATOR	CONNECTOR PART NUMBER	CONTACT(S) USED	MATING CONNECTOR (OR EQUIVALENT)	MATING CONTACT (OR EQUIVALENT)
J1 POWER	10-646401-415N	(4X) 10-597502-205 SIZE 12 PIN	TV06RF-15-4S(LC)	SIZE 12 SOCKET M39029/56-353
J2 MAINTENANCE	10-646401-413N	(22X) 10-497628-105 SIZE 22D PIN	TV06RF-13-35S(LC)	SIZE 22D SOCKET M39029/56-348
J3 10GBASE-T	10-646402-742N	(8X) 21-032907-051 OCTONET SOCKET	TV06RQF-25-8S(LC)	21-032904-021 OCTONET, PIN COMPATIBLE W/ PIC E6A3824
J4 10GBASE-T	10-646402-740N	(4X) 21-032907-051 OCTONET SOCKET	TV06RQF-19-ABS(LC)	1000HM CABLE OR EQUIVALENT

**PRELIMINARY  
DRAWING  
REVISION: P-2+**

11. OPERATING TEMPERATURE: -40°C TO +85°C

10. WEIGHT: TBD LBS MAX.

9. INDICATED SURFACE SHALL BE PAINT FREE FOR ELECTRICAL BONDING. PAINT FREE SURFACE SHALL BE COATED WITH CONDUCTIVE FINISH SUCH AS ALODINE OR IRIDITE, COLOR YELLOW.

8. ASSEMBLY HOUSINGS ARE ALUMINUM ALLOY PAINTED BLACK PER FED-STD-595, COLOR# 37038.

7. CONNECTOR SHELLS ARE ELECTROLESS NICKEL PLATED ALUMINUM ALLOY.

6. PROCESS SPECS: 9-9172-3, 9-3856-5

5. MARKING ON LABEL MAY DIFFER FROM DRAWING BASED ON CUSTOMER SPECIFIC ORDER REQUIREMENTS.

4. PACKAGE PER PRODUCTION PROCESS SHEET.

3. MARK LABEL WITH "AMPHENOL", PART NUMBER AND 7 DIGIT SERIAL NUMBER AND ATTACH ON INDICATED SURFACE. SERIAL NUMBER PER 9-9172-3.

EXAMPLE:  
AMPHENOL  
CF-020400-076  
2131003

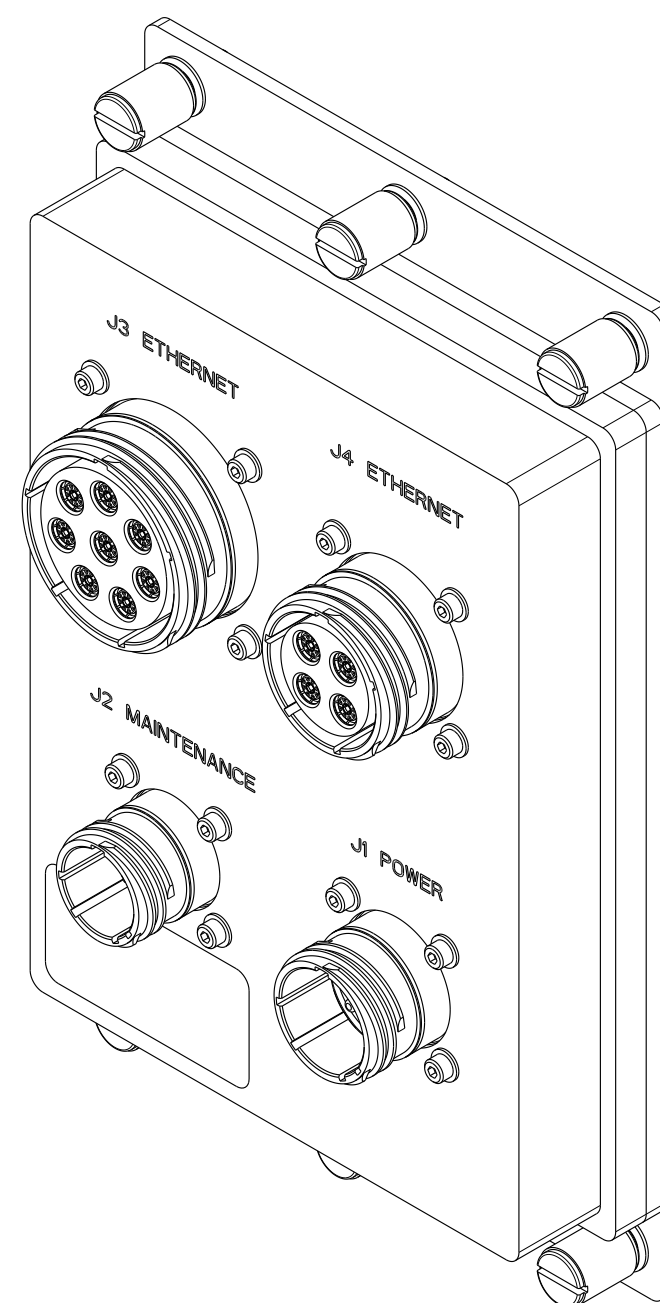
2. FOR INSERT ARRANGEMENT, SEE FOLLOWING DOCUMENTS.

- J1 CONNECTOR: L-21814-4
- J2 CONNECTOR: L-21812-35
- J3 CONNECTOR: LQ-21824-8
- J4 CONNECTOR: LQ-21818-AB

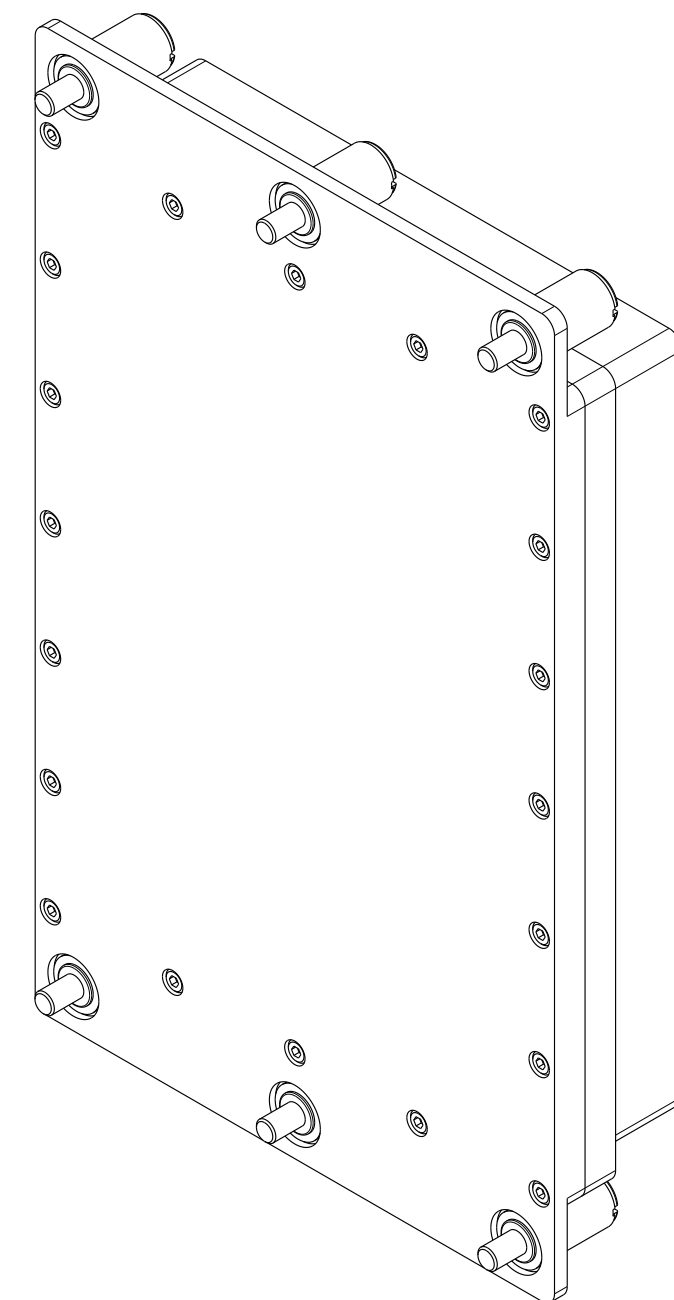
1. ASSEMBLY CONTAINS ELECTROSTATIC DISCHARGE (ESD) SENSITIVE COMPONENTS. ASSEMBLY SHALL BE HANDLED, PACKAGED, AND SHIPPED TO MEET REQUIREMENTS OF ANSI/ESD-S-20.20 AND IPC-610

**NOTES:**

THE USE OF THIS DOCUMENT IS UNLIMITED. HOWEVER, DOCUMENTS REFERENCED HEREON MAY CONTAIN LIMITED RIGHTS DATA.



**FRONT ISOMETRIC VIEW**  
SCALE 0.750



**REAR ISOMETRIC VIEW**  
SCALE 0.750

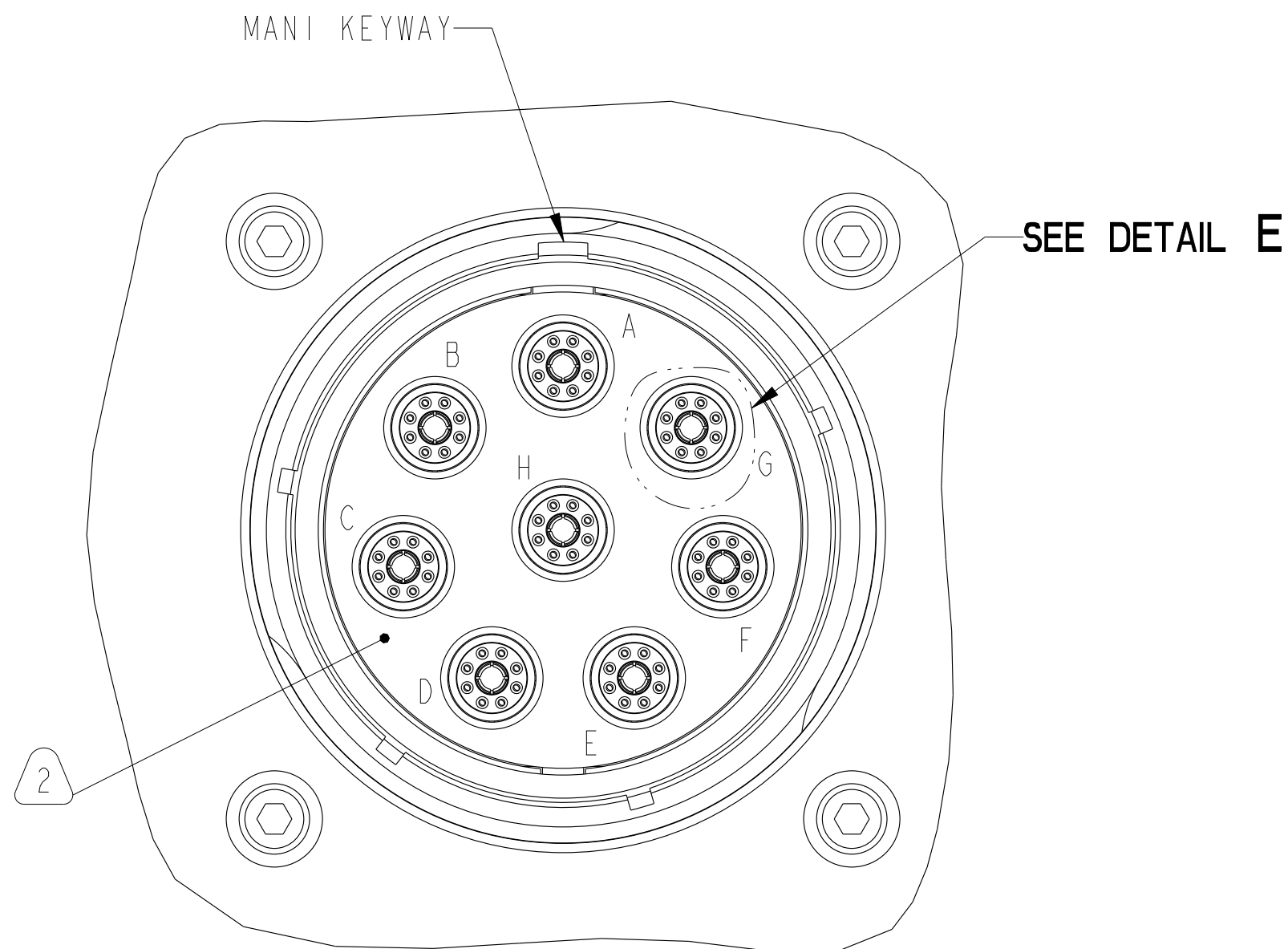
**PRELIMINARY  
DRAWING  
REVISION: P-2+**

SIZE <b>C</b>	CAGE CODE <b>77820</b>	DOCUMENT NO. <b>CF-020400-076</b>	REV. <b>P-2+</b>
SCALE: 1.0		REF: CF-020011-433	SHEET 2 OF 4

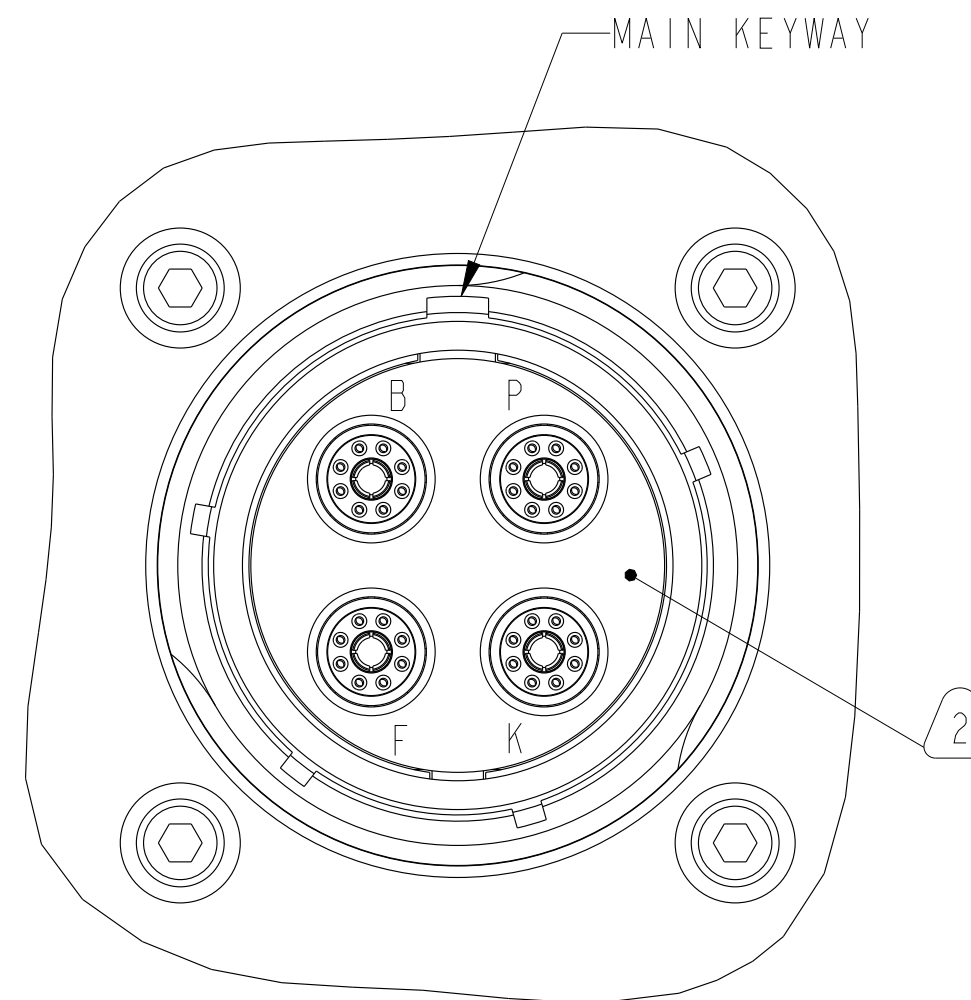
CF-020400-076

SHEET 3 OF 4

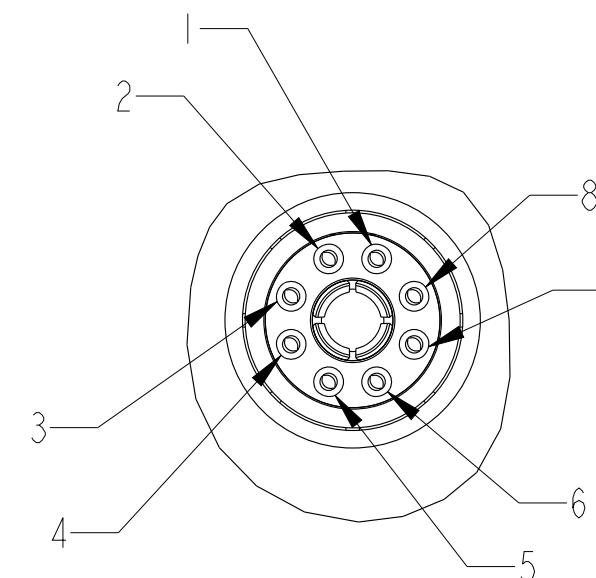
REV. P-2+



DETAIL C  
J3  
SCALE 2.500

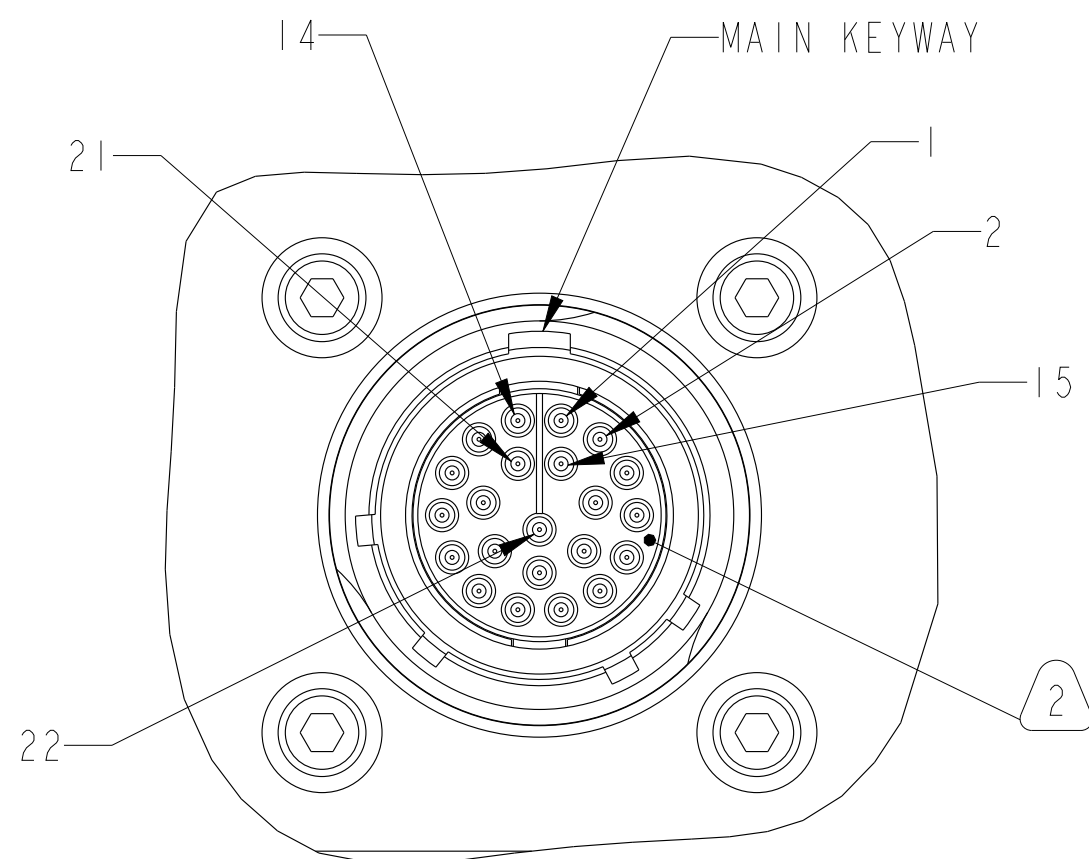


DETAIL D  
J4  
SCALE 2.500

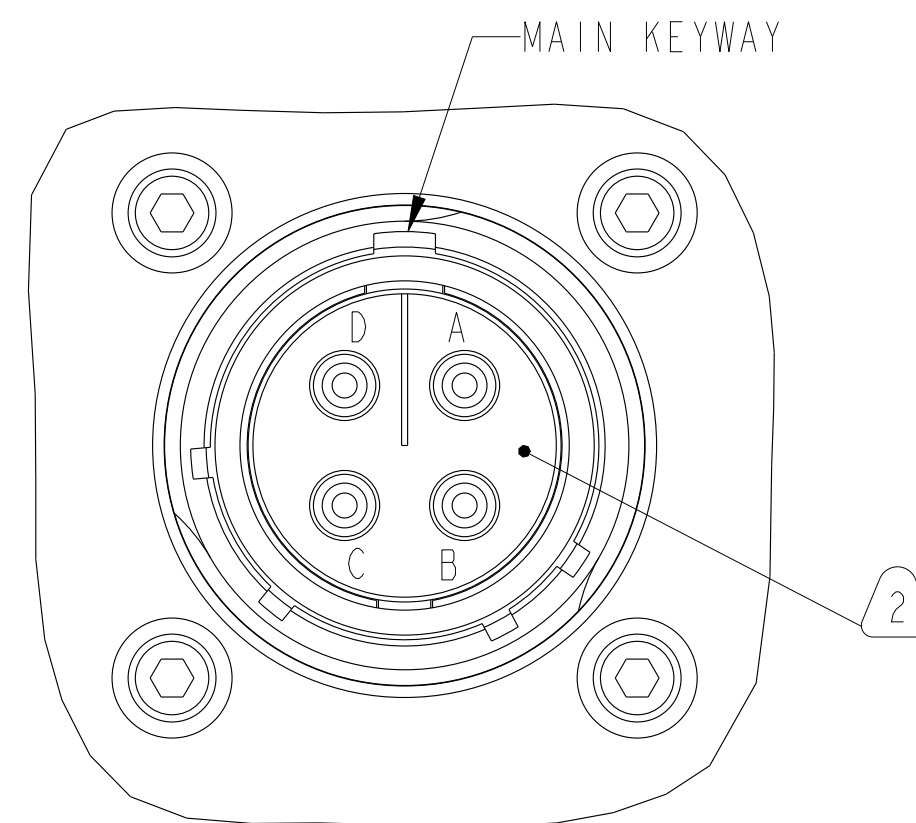


DETAIL E  
OCTONET  
SCALE 5.000

PRELIMINARY  
DRAWING  
REVISION: P-2+



DETAIL B  
J2  
SCALE 2.500



DETAIL A  
J1  
SCALE 2.500

PRELIMINARY  
DRAWING  
REVISION: P-2+

SEE SHEET 2

NOTES:

THE USE OF THIS DOCUMENT IS UNLIMITED. HOWEVER, DOCUMENTS REFERENCED HEREON MAY CONTAIN LIMITED RIGHTS DATA.

FORMAT: C-0-E-1-PRELIMINARY

SIZE <b>C</b>	CAGE CODE <b>77820</b>	DOCUMENT NO. <b>CF-020400-076</b>	REV. <b>P-2+</b>
SCALE: 1.0		REF: CF-020011-433	SHEET 3 OF 4

VERSION 2

REVISION

Eng. PDM Information For Reference Only

REV. P-2+

SHEET 3 OF 4

CF-020400-076

DOCUMENT NO.

I/O CHART

Table with 4 columns: CONNECTOR, PIN NO., DATA DIRECTION, SIGNAL NAME. Includes connectors J1 (POWER 15-4P) and J2 (MAINTENANCE 13-35P).

I/O CHART

Table with 4 columns: CONNECTOR, PIN NO., DATA DIRECTION, SIGNAL NAME. Includes connector J3 (10GBASE-T 25-8S).

I/O CHART

Table with 4 columns: CONNECTOR, PIN NO., DATA DIRECTION, SIGNAL NAME. Includes connectors J3 (10GBASE-T 25-8S) and J4 (10GBASE-T 19-ABS).

PRELIMINARY DRAWING REVISION: P-2+

PRELIMINARY DRAWING REVISION: P-2+

SEE SHEET 2

NOTES:

THE USE OF THIS DOCUMENT IS UNLIMITED. HOWEVER, DOCUMENTS REFERENCED HEREON MAY CONTAIN LIMITED RIGHTS DATA.

Vertical text on the right edge: DOCUMENT NO. CF-020400-076, SHEET 4 OF 4, REV. P-2+, and other revision information.